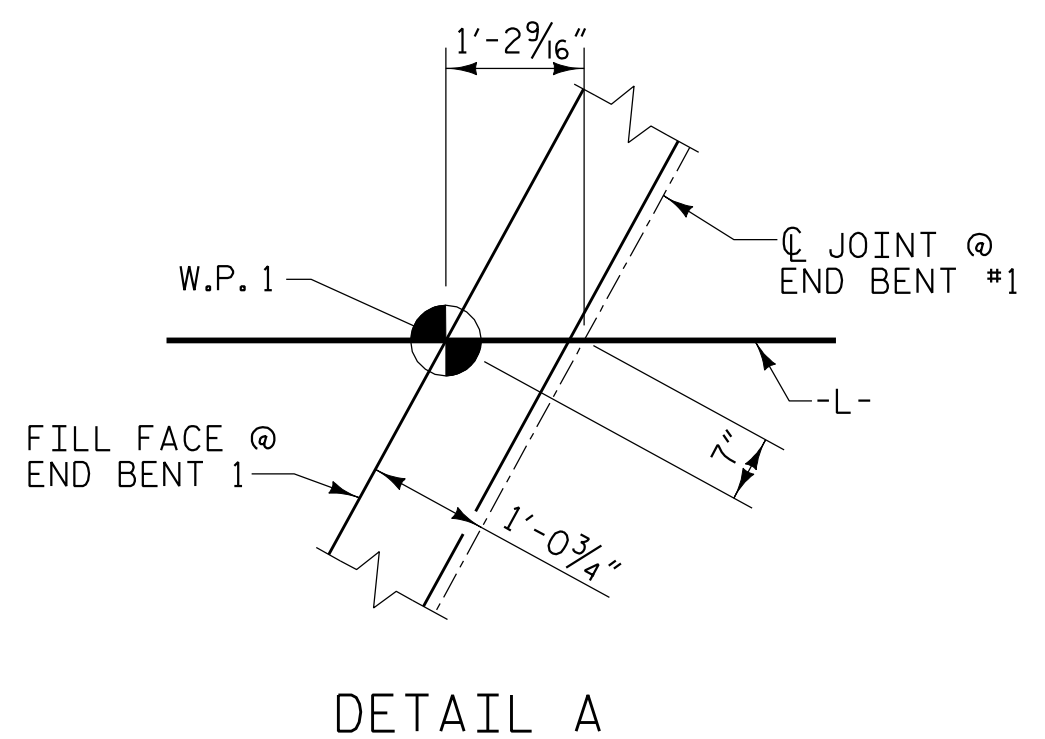


SPAN A

NOTES

FOR BARRIER RAIL DETAILS AND REINFORCING STEEL, SEE "CONCRETE BARRIER RAIL" SHEET.  
 FOR POUR SEQUENCE AND TRANSVERSE CONSTRUCTION JOINT DETAIL, SEE "SUPERSTRUCTURE BILL OF MATERIAL".



DETAIL A

PROJECT NO. W-5518  
 COLUMBUS COUNTY  
 STATION: 24+06.36 -L- POT

SHEET 1 OF 2

STATE OF NORTH CAROLINA  
 DEPARTMENT OF TRANSPORTATION  
 RALEIGH  
 SUPERSTRUCTURE  
 PLAN OF SPAN A

REVISIONS						SHEET NO.
NO.	BY:	DATE:	NO.	BY:	DATE:	S-7
1			3			TOTAL SHEETS
2			4			33

PLANS PREPARED BY:

MULKEY ENGINEERS & CONSULTANTS  
 1010 BELMONT ROAD  
 RALEIGH, N.C. 27606  
 (919) 851-1818  
 WWW.MULKEYINC.COM  
 NC LICENSE NO. 0-1021

10/2/2015

DRAWN BY :	W. B. ALLEN	DATE :	12/14
CHECKED BY :	Z. H. BROWN	DATE :	1/15
DESIGN ENGINEER OF RECORD:	L. K. AUSTIN	DATE :	8/15

10/2/2015 4:50:38 PM R:\Structures\W5518\SMU\_S1.dgn