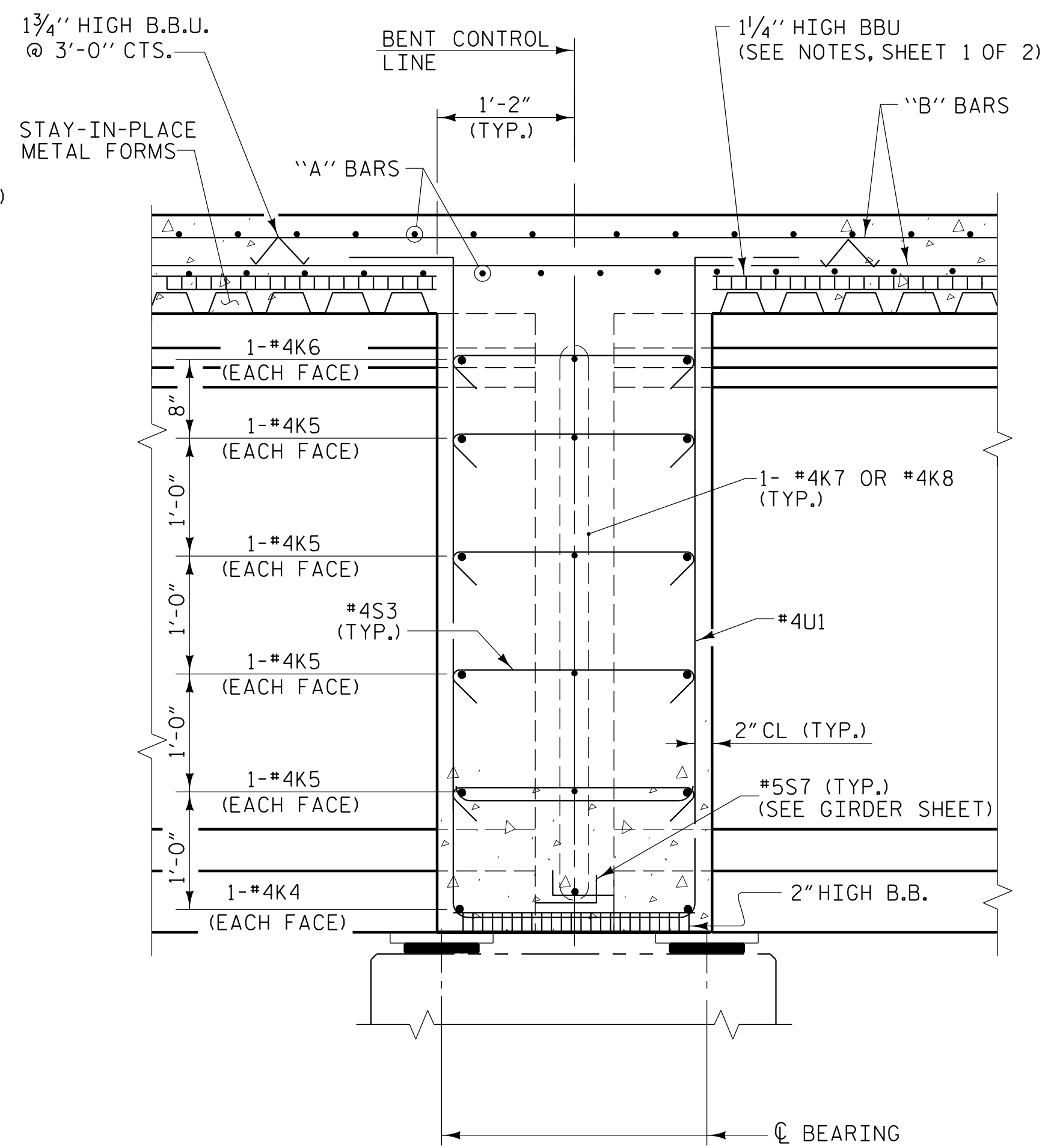
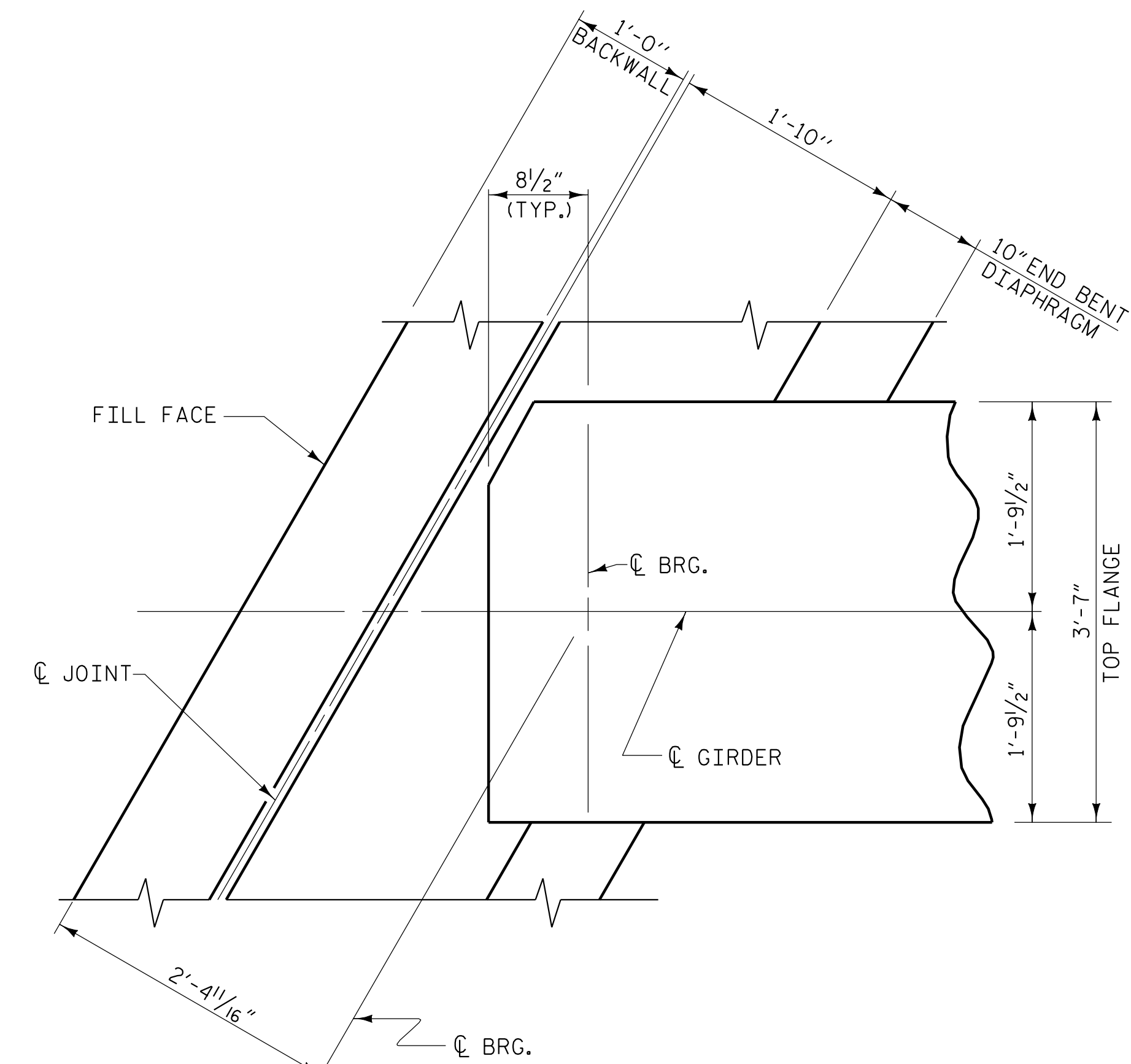


SECTION THRU END BENT DIAPHRAGMS

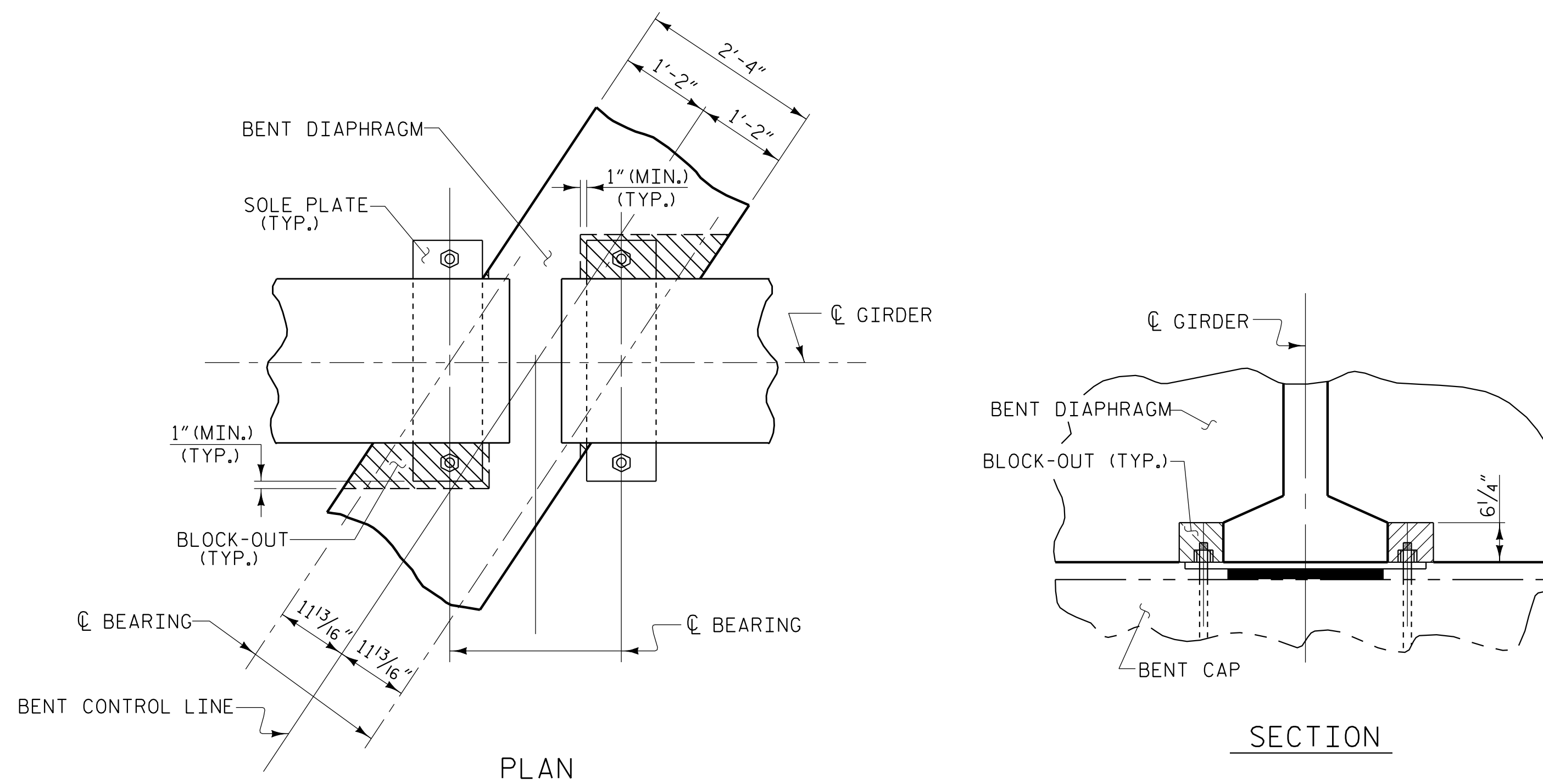
\* #5G1 BAR MAY BE SHIFTED SLIGHTLY AS NECESSARY TO CLEAR REINFORCING STEEL AND STIRRUPS.



SECTION THRU BENT DIAPHRAGMS



PLAN VIEW OF END BENT DIAPHRAGM



BENT DIAPHRAGM BLOCK-OUT DETAIL

PROJECT NO. W-5518  
COLUMBUS COUNTY  
 STATION: 24+06.36 -L- POT

SHEET 2 OF 2

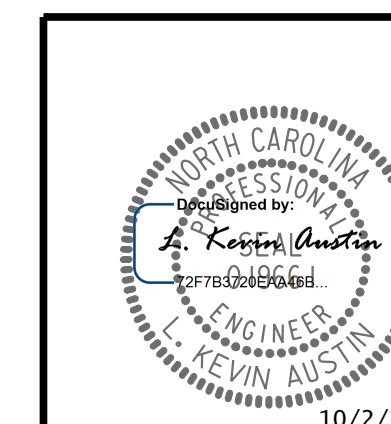
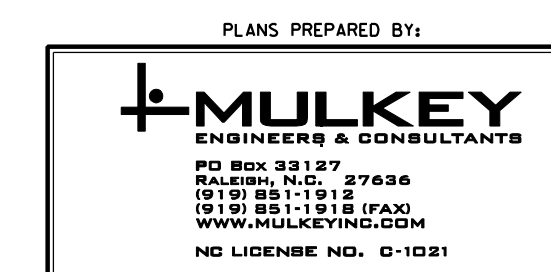
STATE OF NORTH CAROLINA  
 DEPARTMENT OF TRANSPORTATION  
 RALEIGH

SUPERSTRUCTURE  
 TYPICAL SECTION  
 DETAILS

REVISIONS

| NO. | BY: | DATE: | NO. | BY: | DATE: |
|-----|-----|-------|-----|-----|-------|
| 1   |     |       | 3   |     |       |
| 2   |     |       | 4   |     |       |

SHEET NO.  
 S-6  
 TOTAL SHEETS  
 33



10/2/2015 4:52:36 PM R:\Structures\W5518\SWU\_TS\_02.dgn

DRAWN BY : W. B. ALLEN DATE : 12/14  
 CHECKED BY : Z. H. BROWN DATE : 1/15  
 DESIGN ENGINEER OF RECORD: L. K. AUSTIN DATE : 8/15