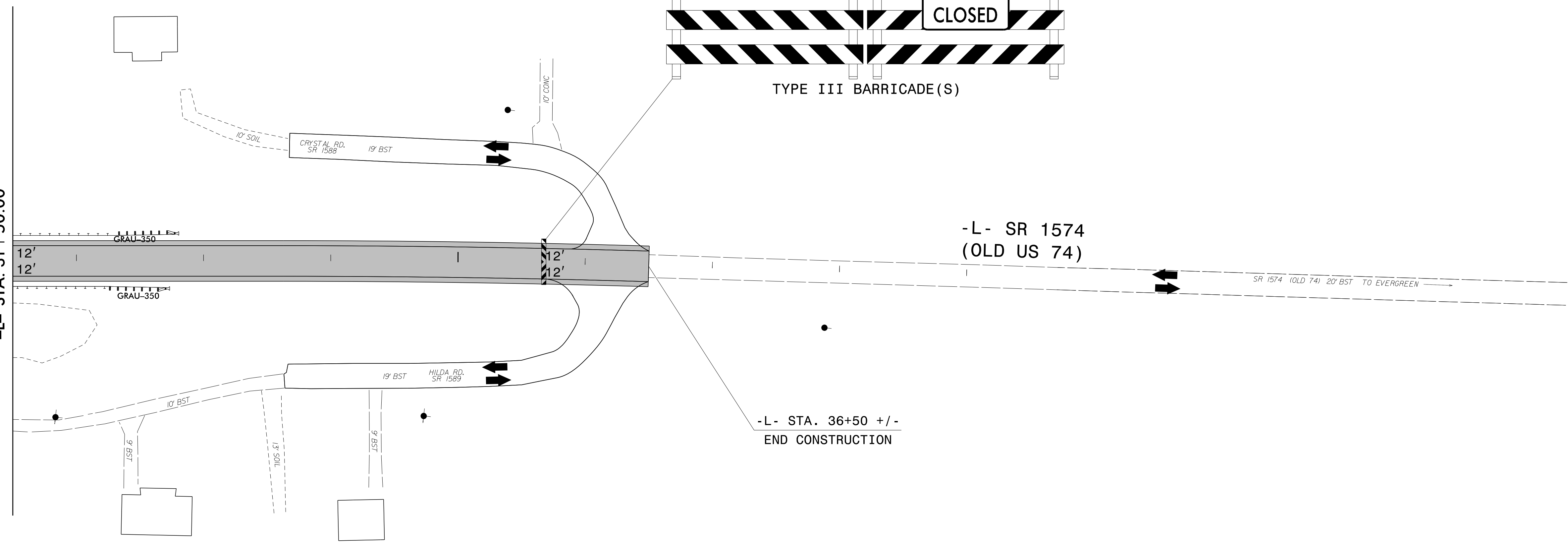




MATCHLINE SHEET TMP-5
-L- STA. 31 + 50.00



1/13/2016
 \\vnb\pro\raleigh\38369.02 Mulkey T02_W-5518\cad\ve\plan\set\Traffic\TrafficControl\W5518.tc_tmp_07.dgn
 User: MThigpen

APPROVED: <i>M. Matthew Thigpen</i> DATE: 1/14/2016 		PHASE I DETAIL
---	--	----------------