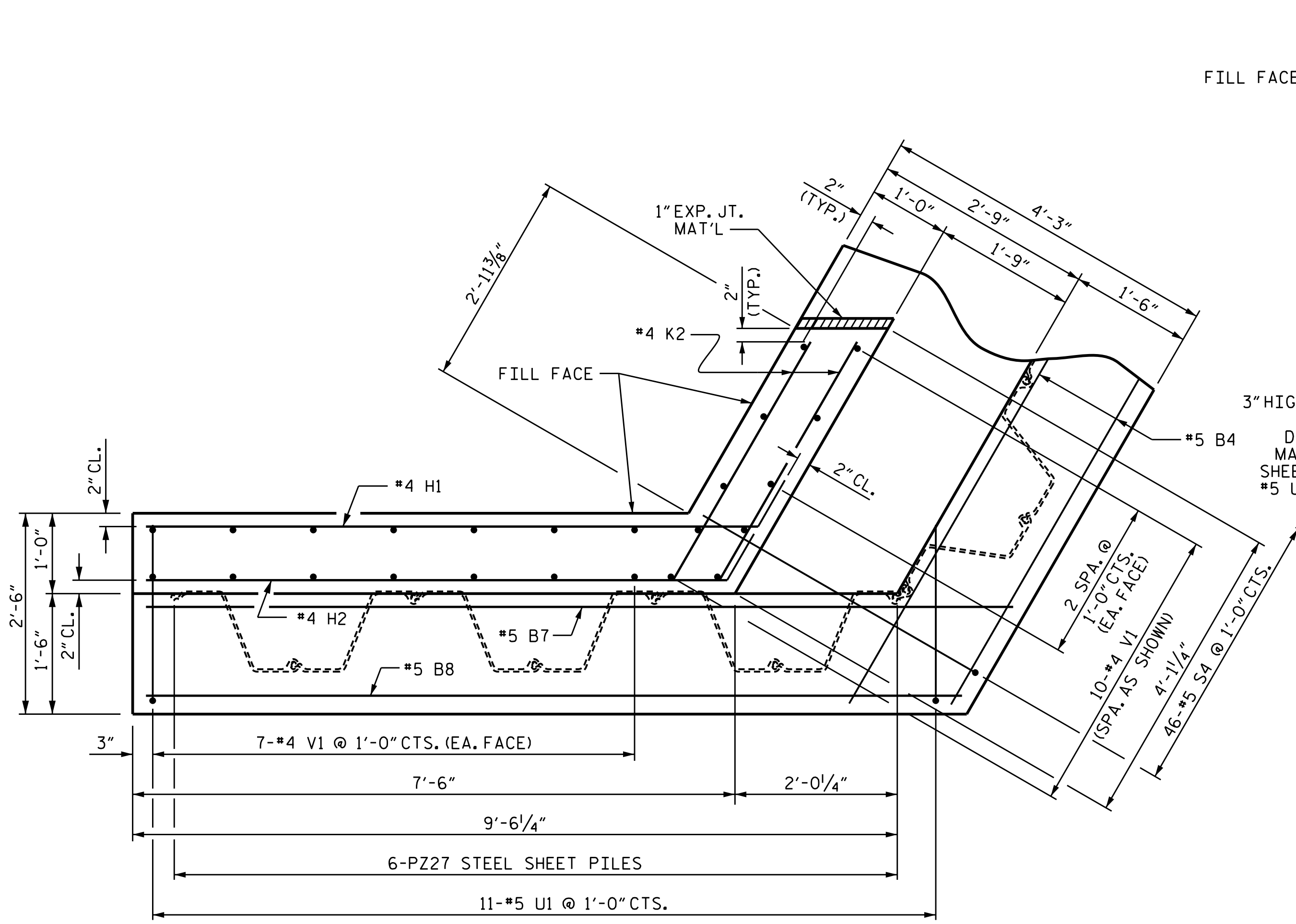
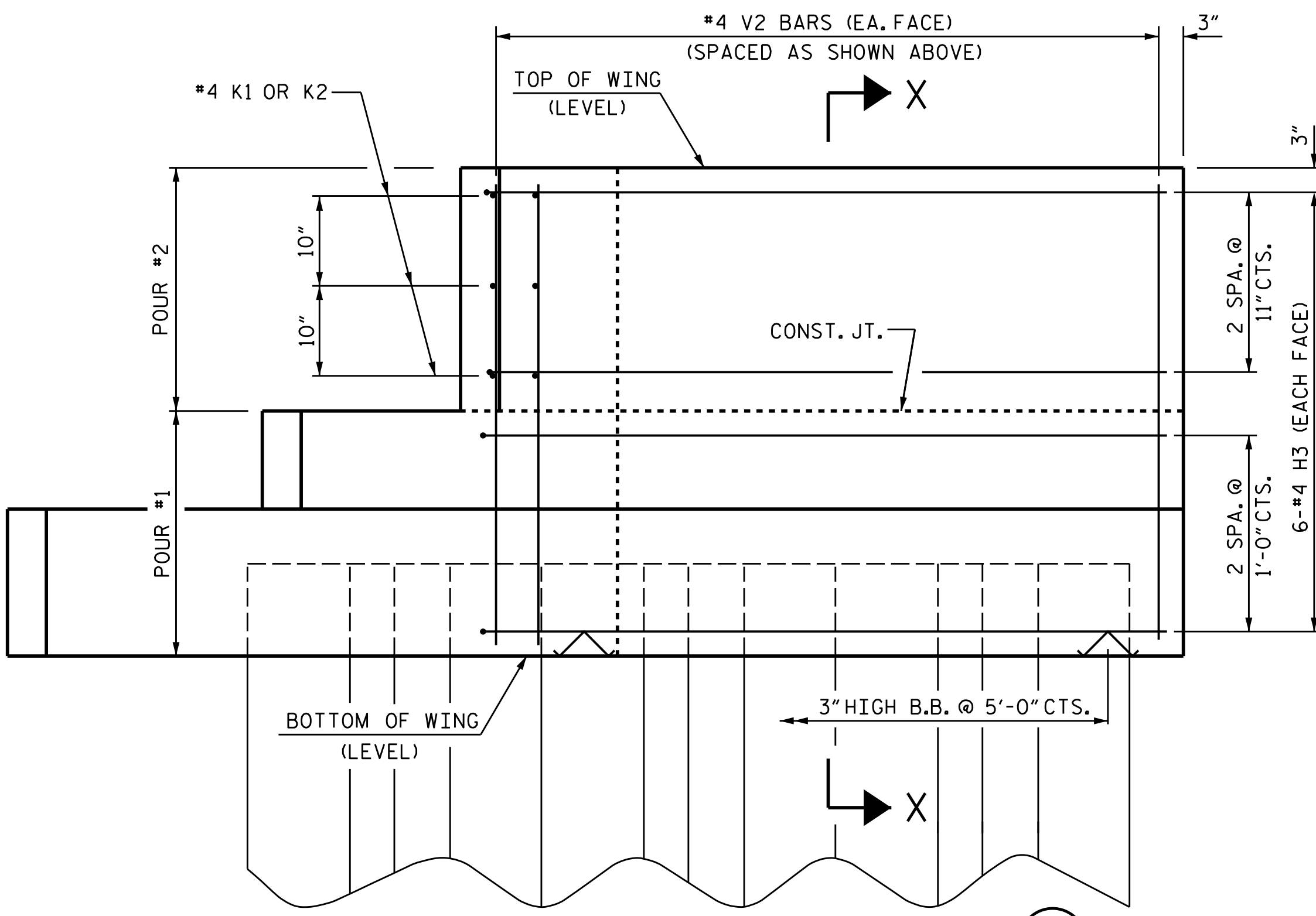


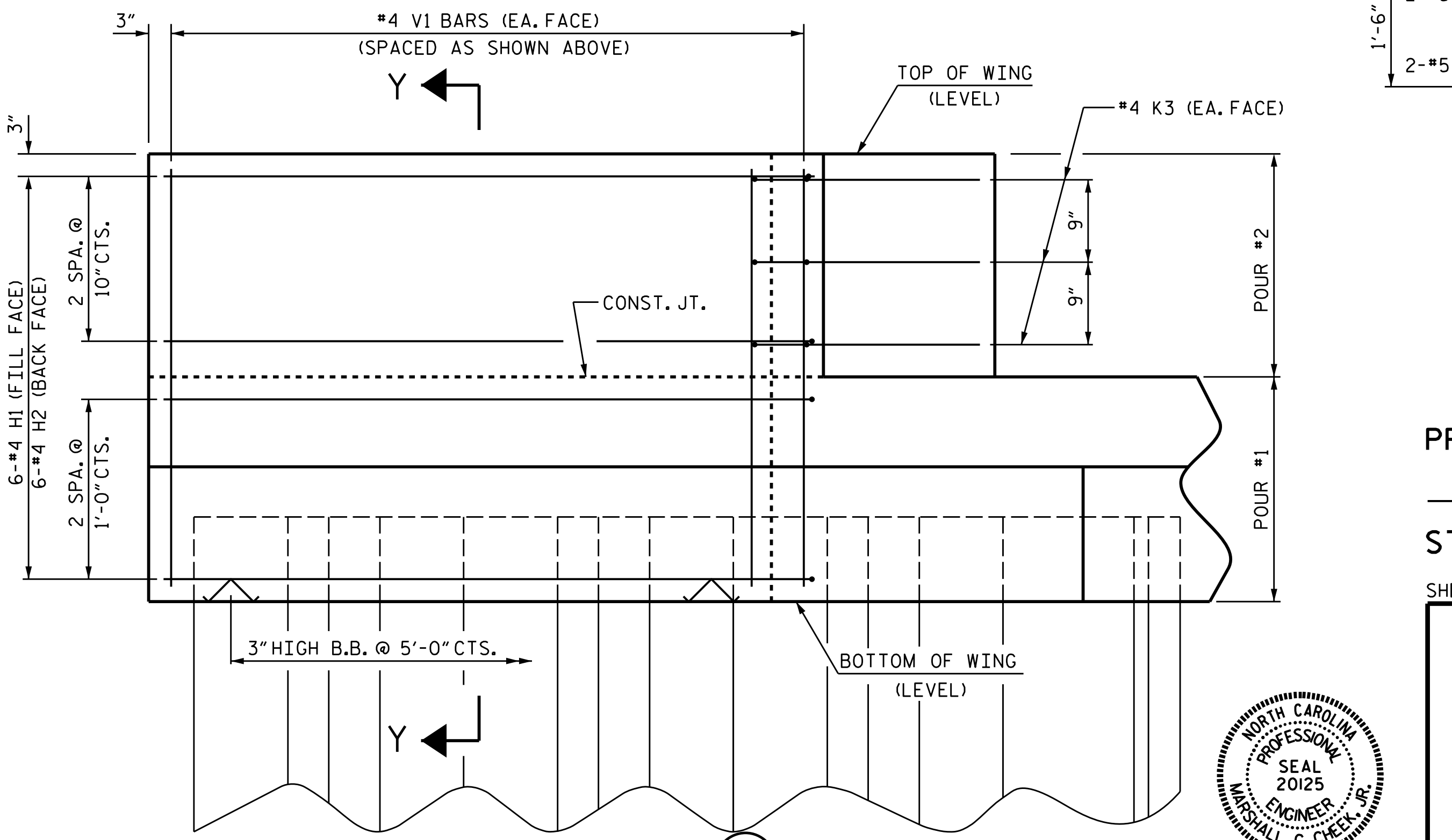
PLAN OF WING (W1)



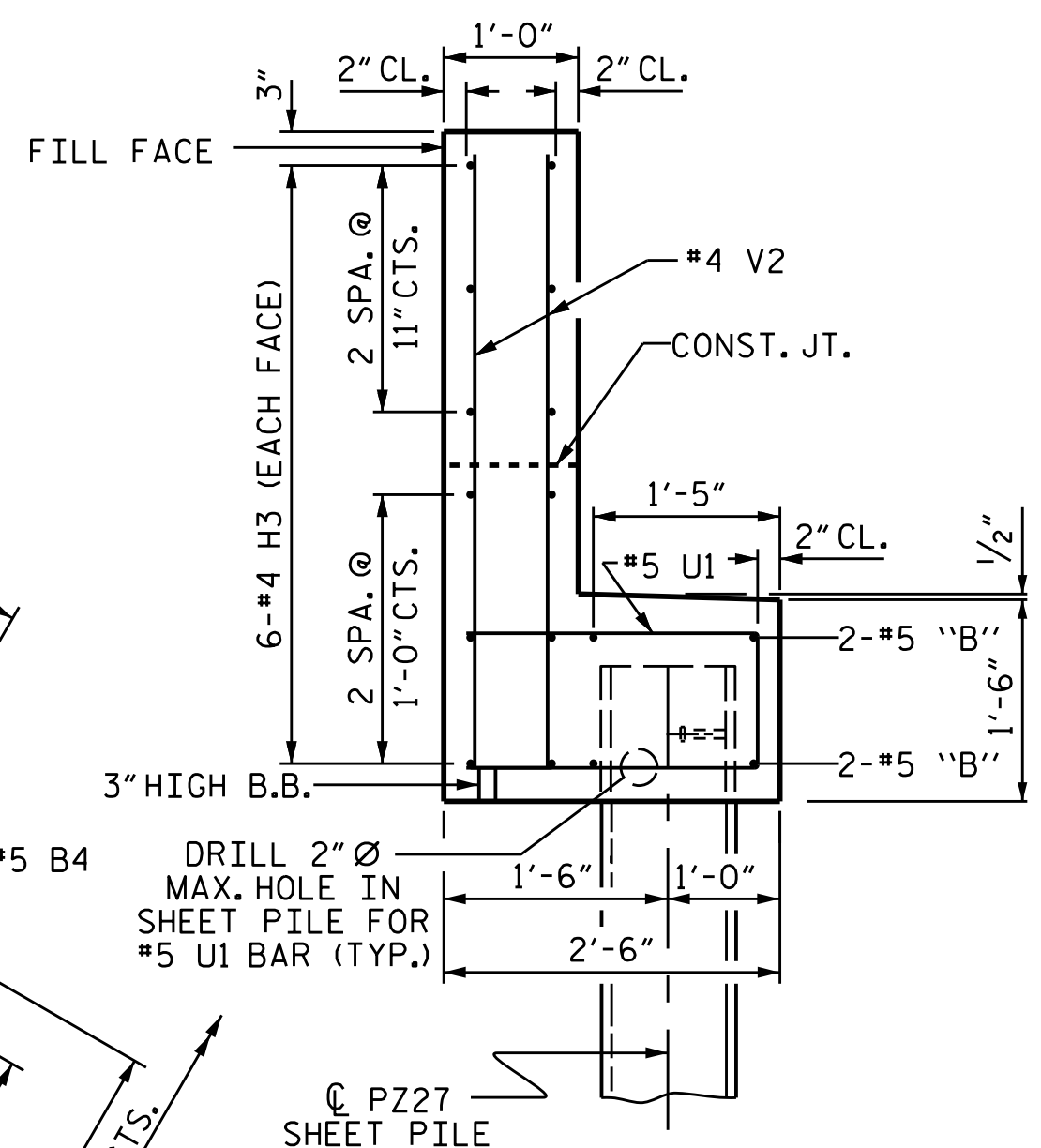
PLAN OF WING (W2)



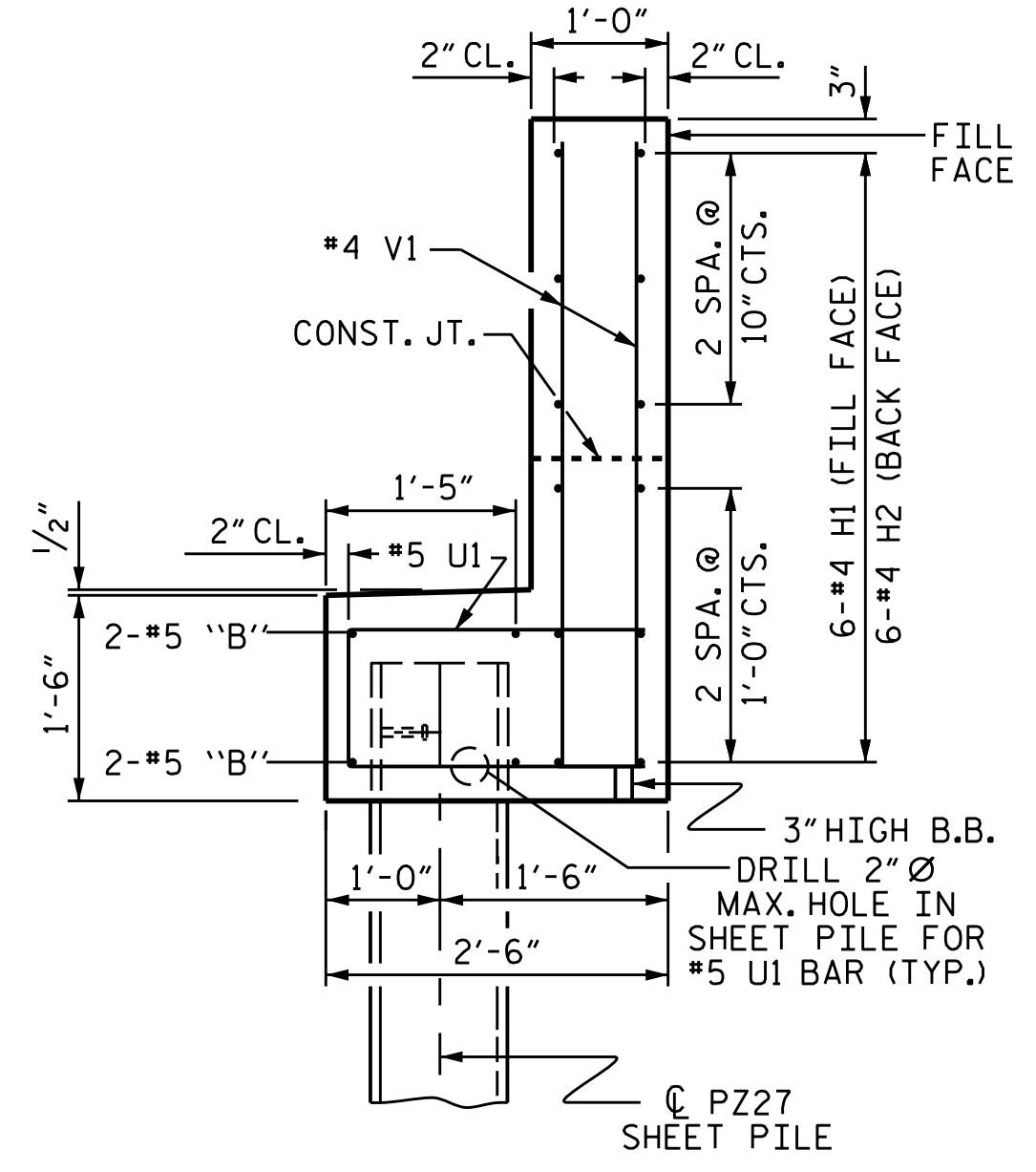
ELEVATION OF WING (W1)



ELEVATION OF WING (W2)



SECTION X-X



SECTION Y-Y

PROJECT NO. B-5244
 BUNCOMBE COUNTY
 STATION: 14+02.00 -L-
 SHEET 2 OF 3

STATE OF NORTH CAROLINA
 DEPARTMENT OF TRANSPORTATION
 RALEIGH
 SUBSTRUCTURE
 END BENT No. 2
 WING DETAILS



12/21/2015
 Marshall G. Cheek, Jr.
 65490REBA3B3405

DRAWN BY: W.J. HARRIS DATE: 6/15
 CHECKED BY: B.N. GRADY DATE: 10/15
 DESIGN ENGINEER OF RECORD: W.J. HARRIS DATE: 12/15

WING DETAILS

DOCUMENT NOT CONSIDERED
 FINAL UNLESS ALL
 SIGNATURES COMPLETED

| REVISIONS | | | | | | SHEET NO. |
|-----------|-----|-------|-----|-----|-------|--------------|
| NO. | BY: | DATE: | NO. | BY: | DATE: | S-16 |
| 1 | | | 3 | | | TOTAL SHEETS |
| 2 | | | 4 | | | 18 |

*****SYSTEM*****
 *****DGN*****
 *****USER*****