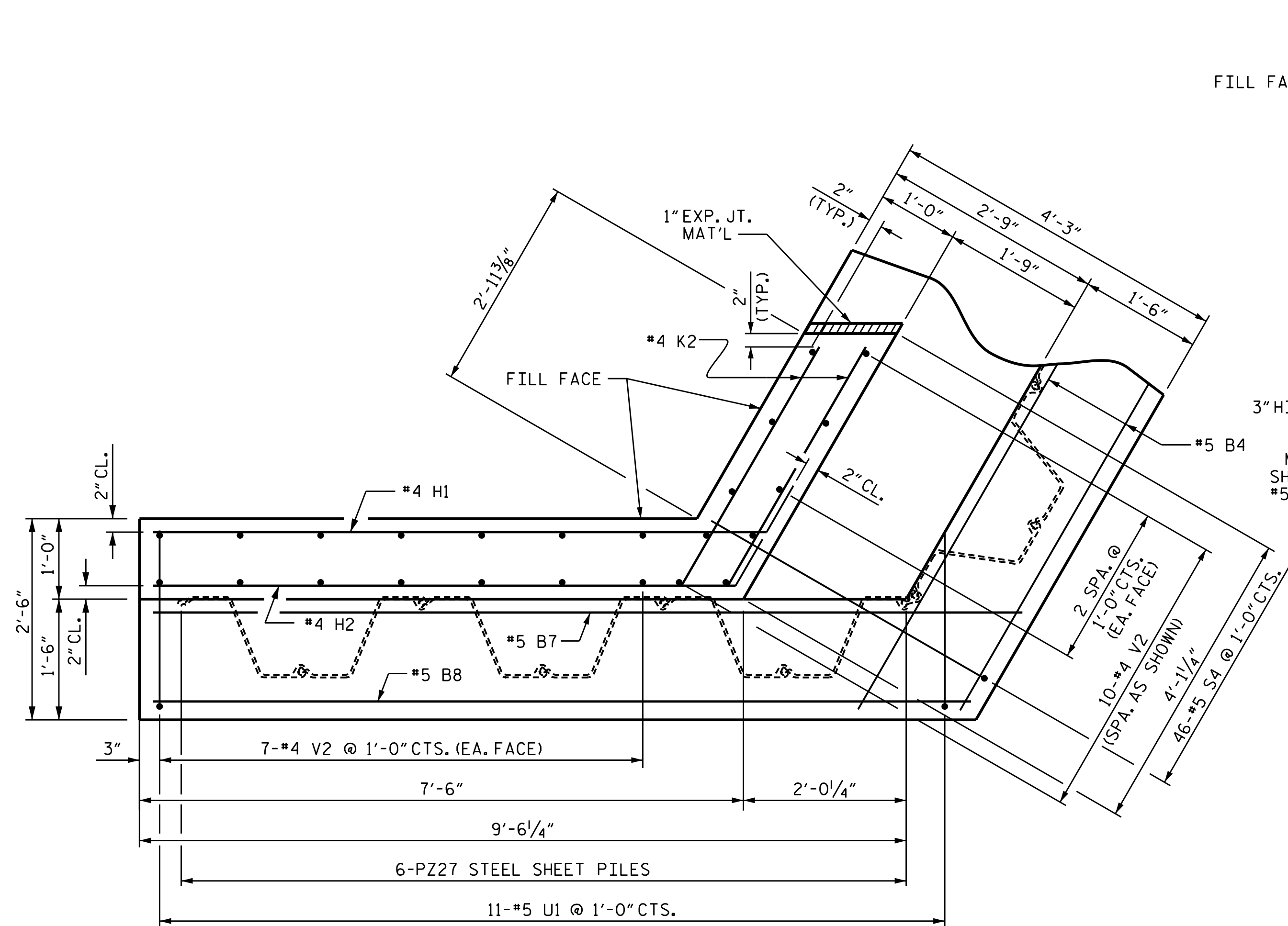
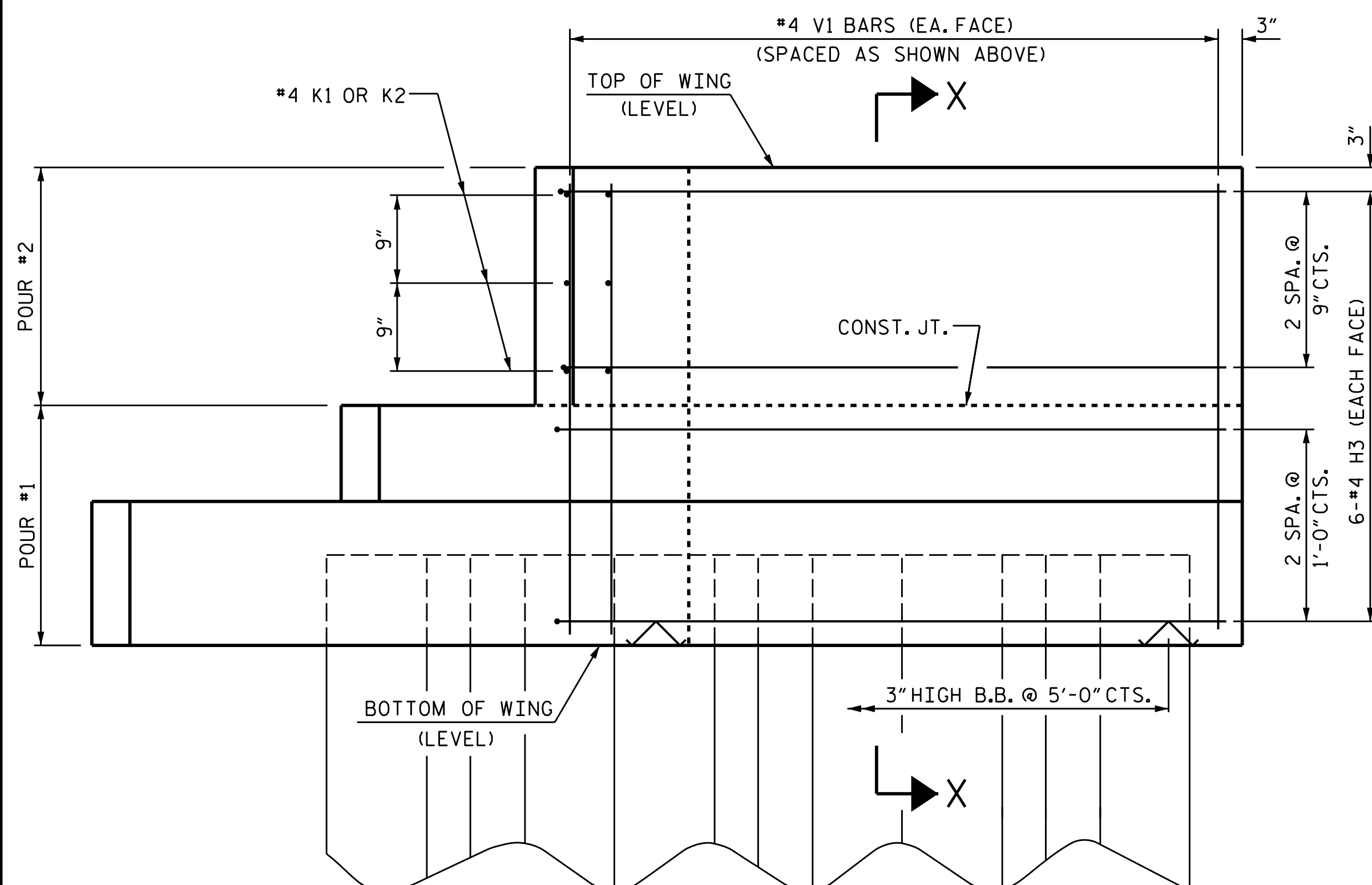


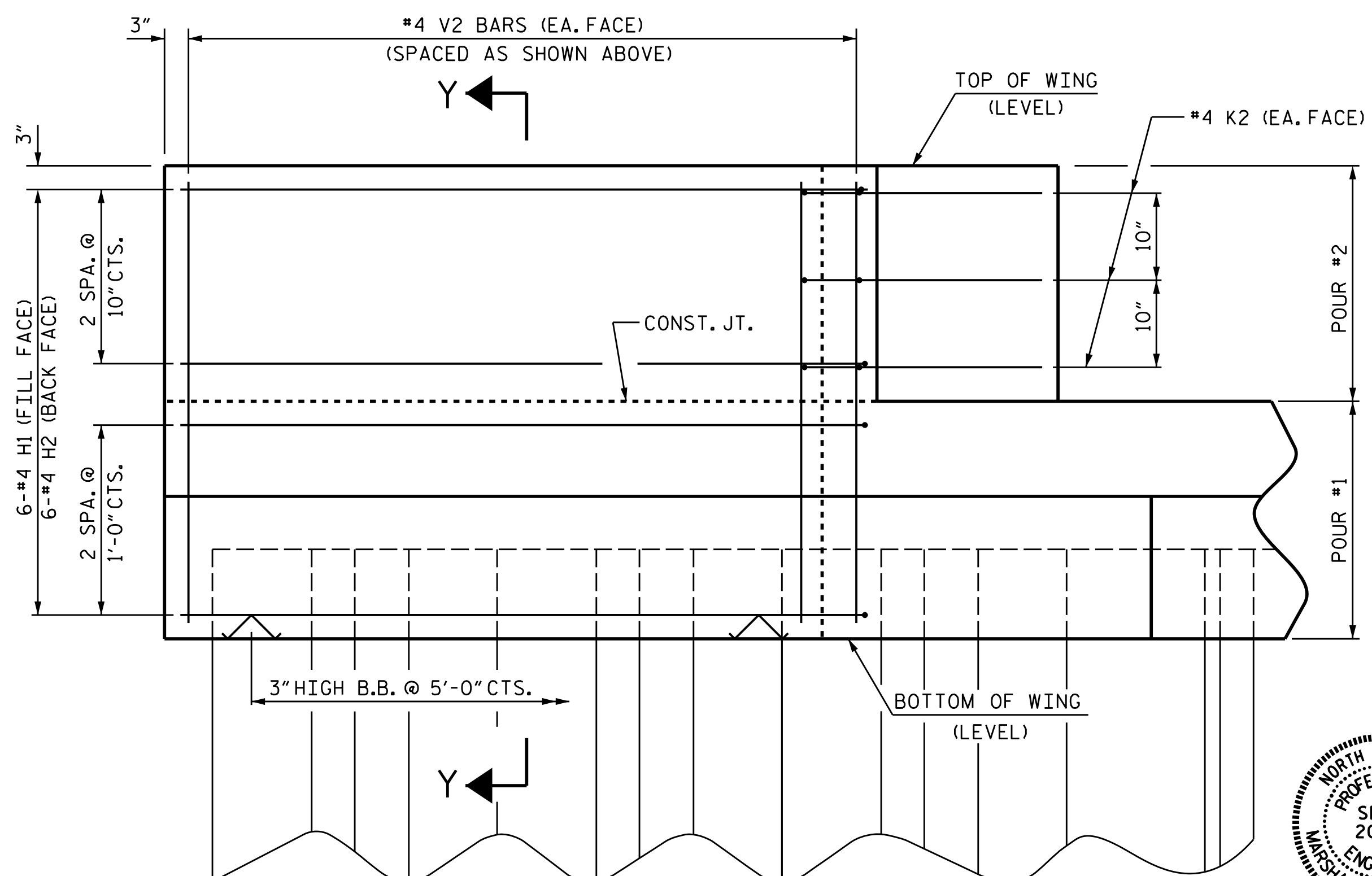
PLAN OF WING (W1)



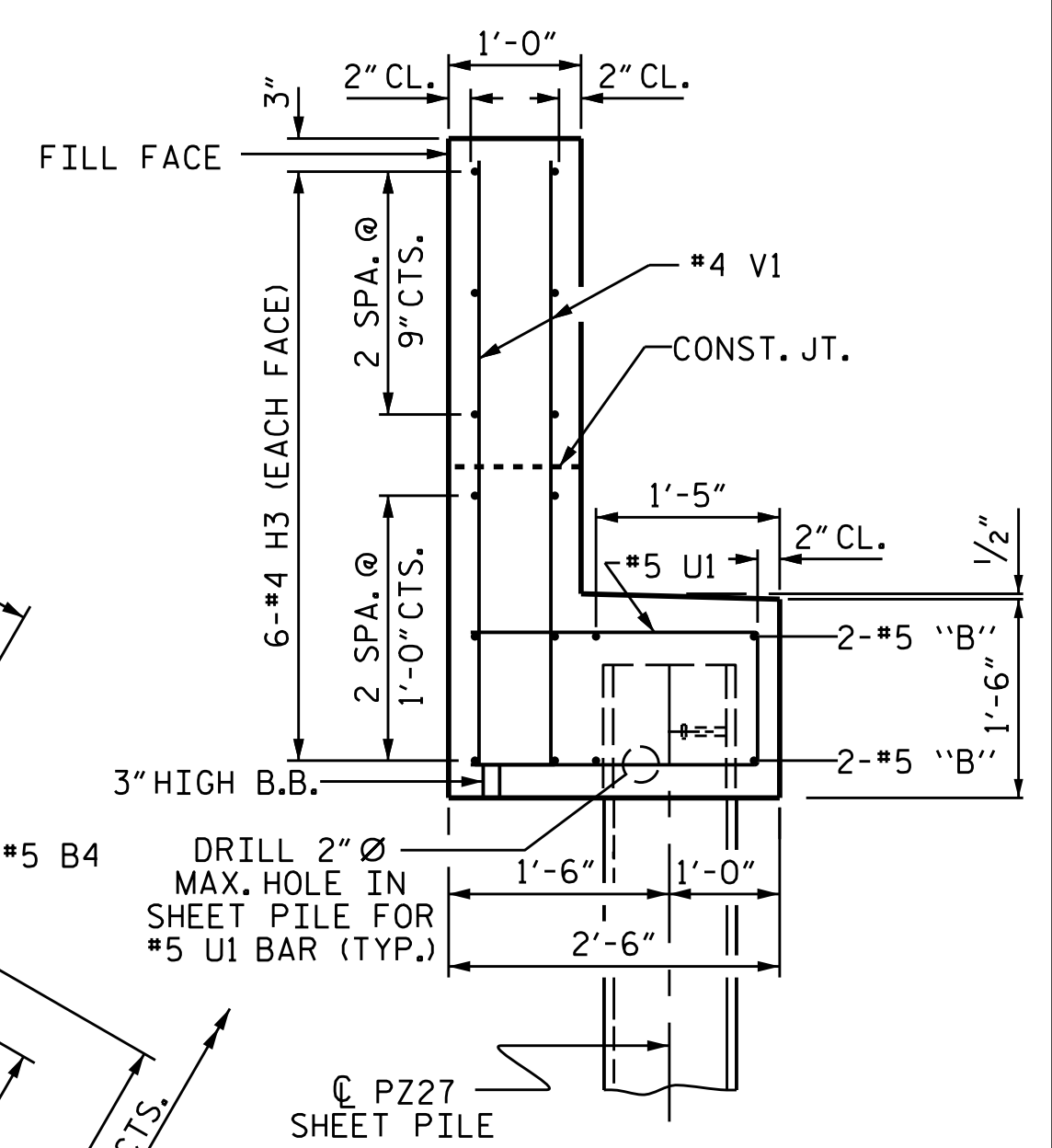
PLAN OF WING (W2)



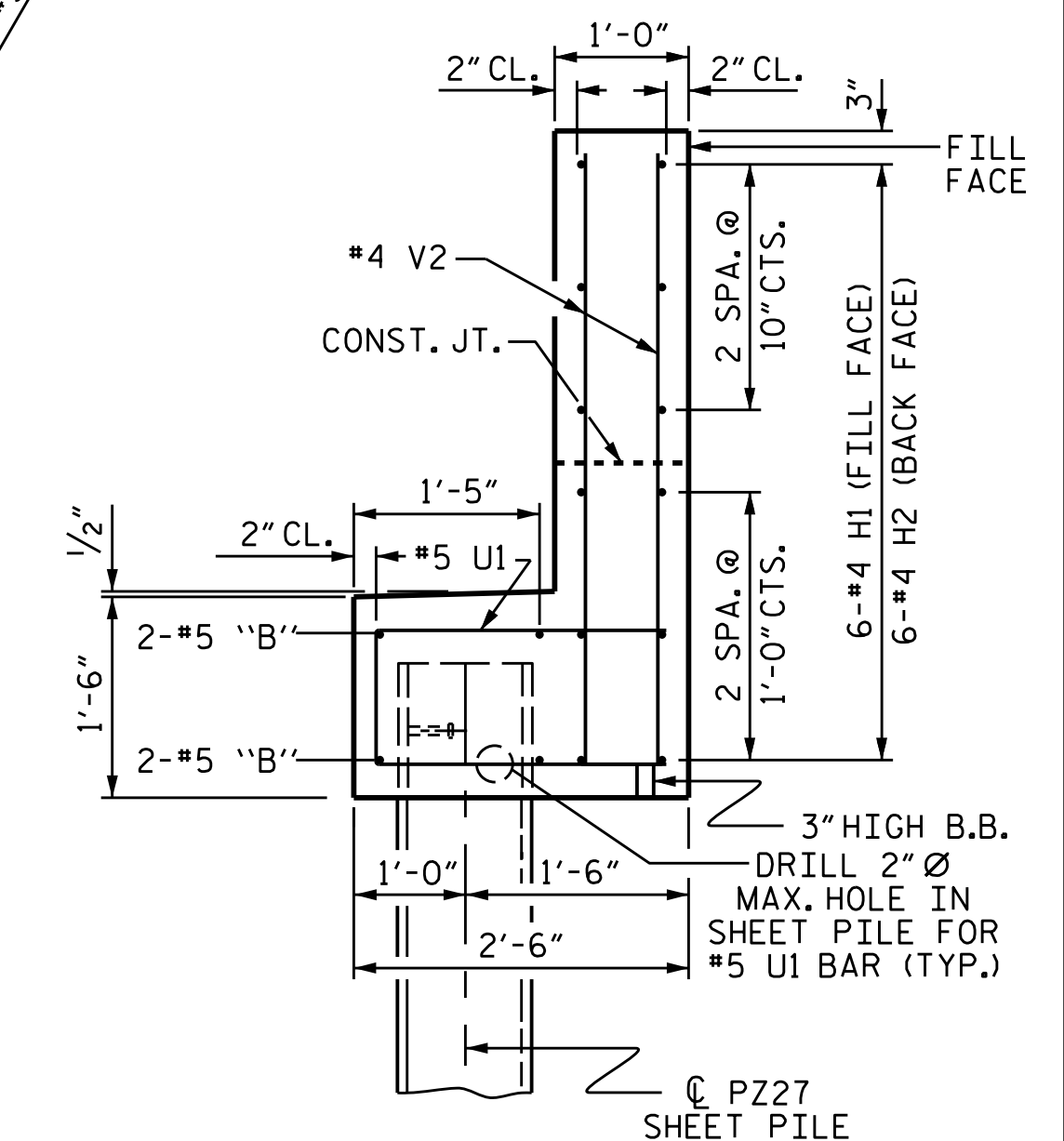
ELEVATION OF WING (W1)



ELEVATION OF WING (W2)



SECTION X-X



SECTION Y-Y

PROJECT NO. B-5244
 BUNCOMBE COUNTY
 STATION: 14+02.00 -L-

SHEET 2 OF 3



12/21/2015

DRAWN BY: W.J. HARRIS DATE: 6/15
 CHECKED BY: B.N. GRADY DATE: 10/15
 DESIGN ENGINEER OF RECORD: W.J. HARRIS DATE: 12/15

WING DETAILS

DOCUMENT NOT CONSIDERED FINAL UNLESS ALL SIGNATURES COMPLETED

REVISIONS						SHEET NO.
NO.	BY:	DATE:	NO.	BY:	DATE:	S-13
1			3			TOTAL SHEETS 18
2			4			

*****SYSTEM*****
 *****DGN*****
 *****USERNAME*****