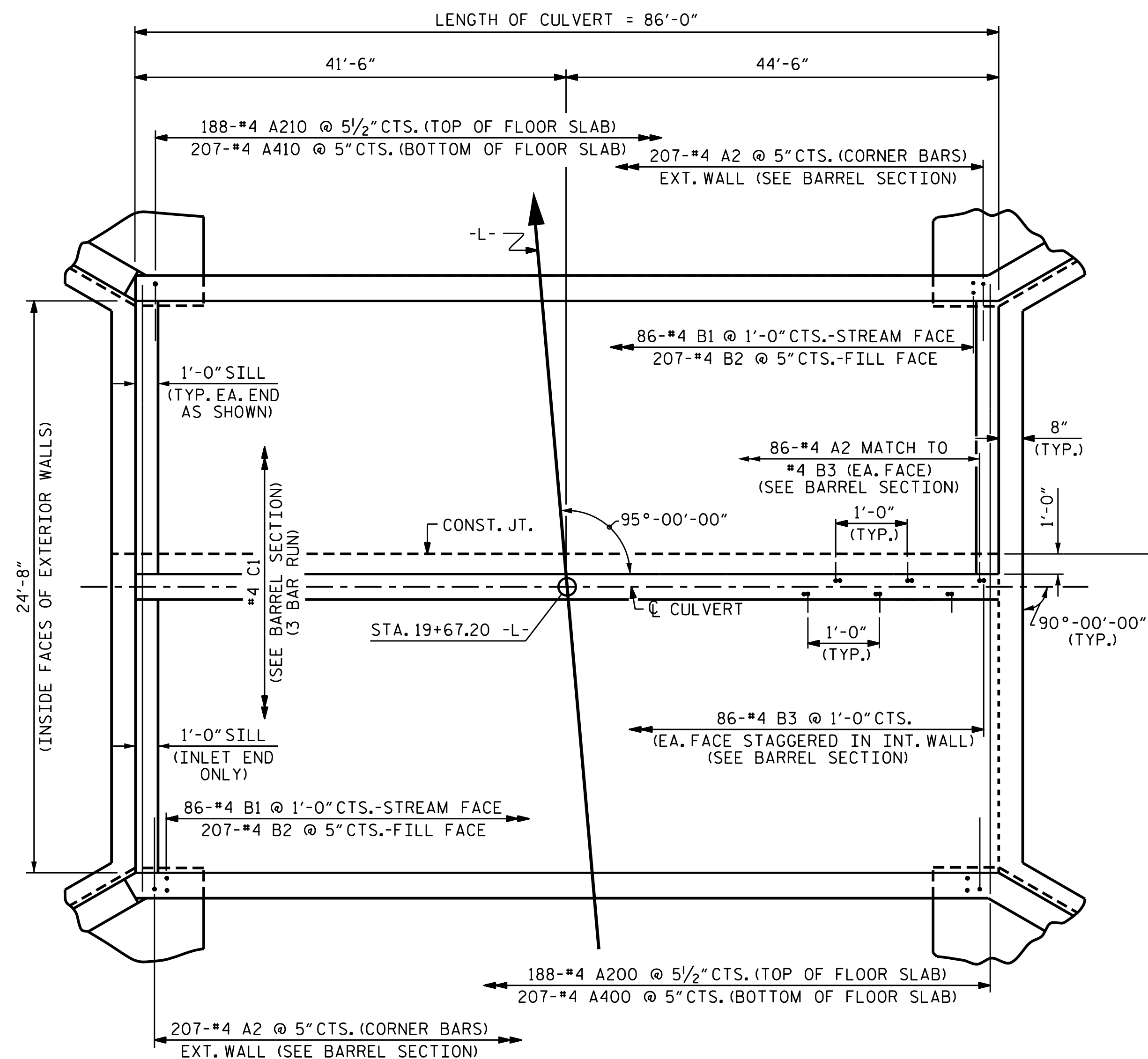
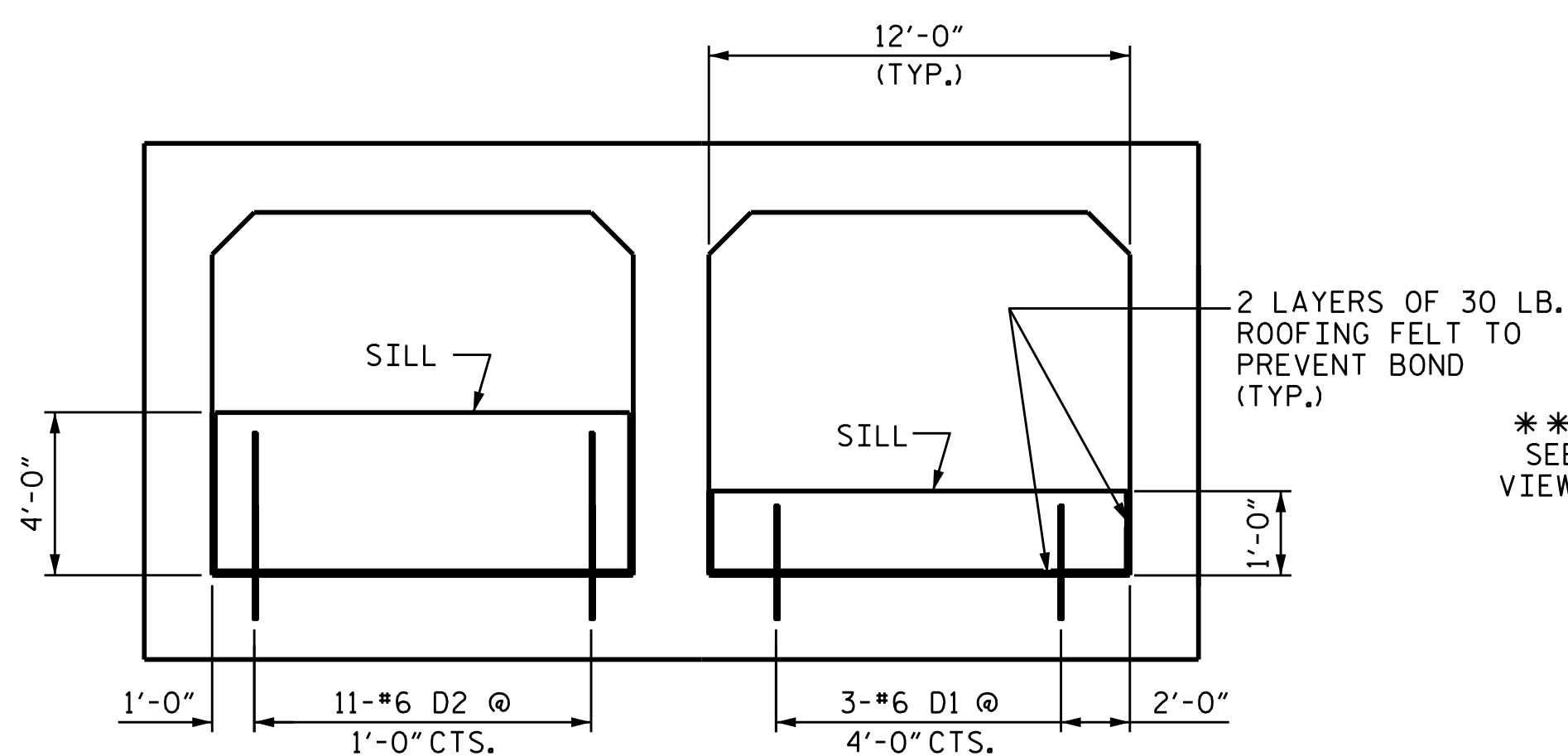


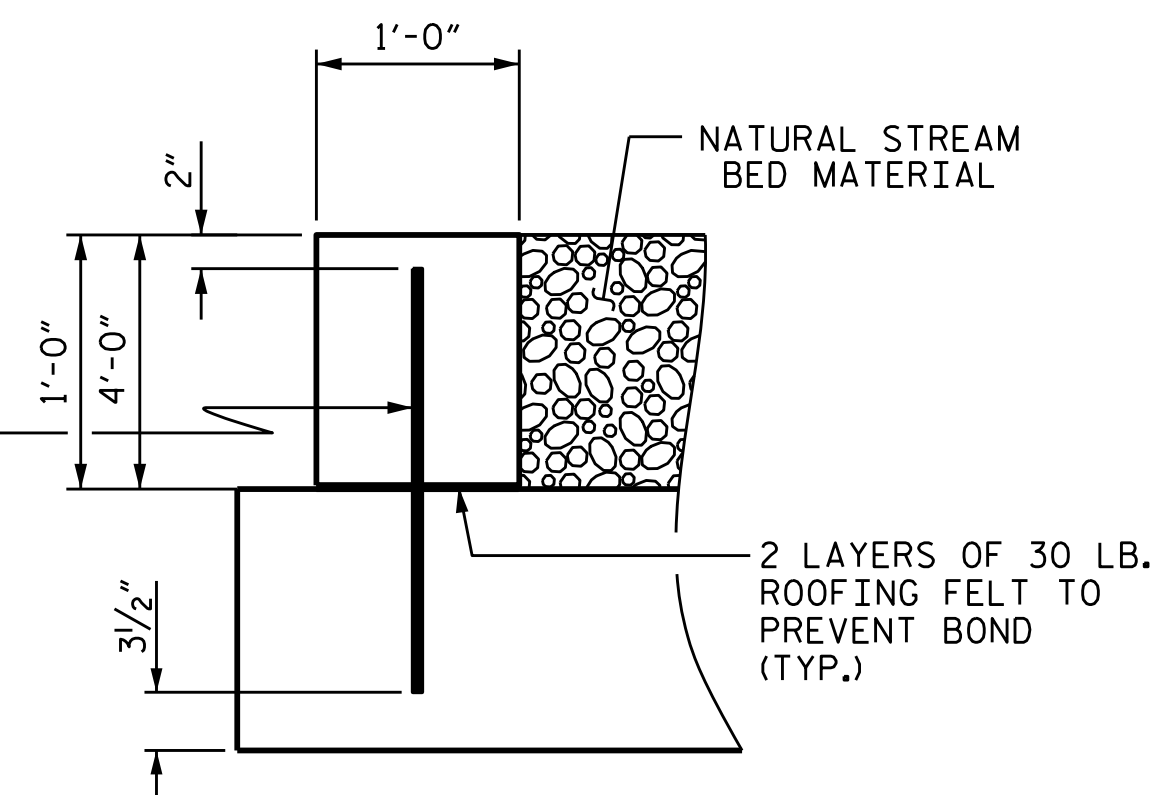
PLAN - ROOF SLAB



PLAN - FLOOR SLAB



ELEVATION



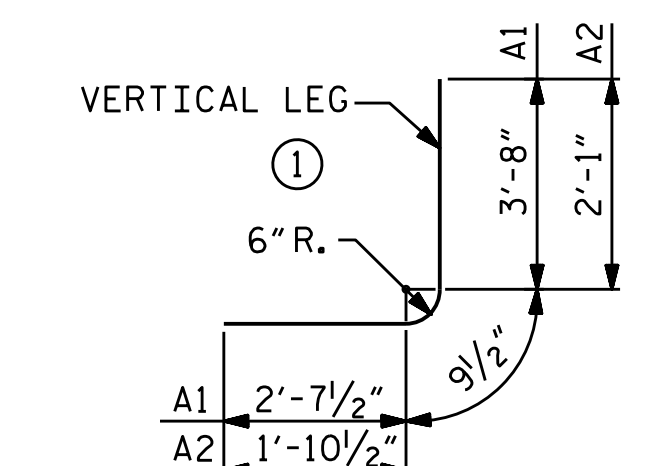
SECTION THROUGH SILL

** DOWELS MAY BE PUSHED INTO GREEN CONCRETE AFTER SLAB HAS BEEN FLOAT FINISHED.

CULVERT SILL DETAILS

(4'-0" SILL AT BOTH ENDS OF BARREL 1)
(1'-0" SILL AT INLET END ONLY OF BARREL 2)
(LOOKING DOWNSTREAM)

BAR TYPE



DIMENSIONS ARE OUT TO OUT.

BILL OF MATERIAL

STAGE I					
BAR NO.	NO.	SIZE	TYPE	LENGTH	WEIGHT
A1	207	#4	1	7'-1"	979
A2	379	#4	1	4'-9"	1203
A200	188	#4	STR	16'-8"	2093
A400	207	#4	STR	16'-0"	2212
B1	86	#4	STR	9'-9"	560
B2	207	#4	STR	7'-4"	1014
B3	172	#4	STR	9'-9"	1120
C1	105	#4	STR	29'-10"	2093
D1	3	#6	STR	1'-6"	7
REINFORCING STEEL					LBS. 11,281

STAGE II					
BAR NO.	NO.	SIZE	TYPE	LENGTH	WEIGHT
A1	207	#4	1	7'-1"	979
A2	207	#4	1	4'-9"	657
A100	258	#4	STR	25'-8"	4423
A210	188	#4	STR	11'-5"	1434
A300	207	#4	STR	25'-8"	3549
A410	207	#4	STR	11'-5"	1579
B1	86	#4	STR	9'-9"	560
B2	207	#4	STR	7'-4"	1014
C1	171	#4	STR	29'-10"	3408
D2	22	#6	STR	4'-6"	149
G1	8	#5	STR	25'-8"	214
REINFORCING STEEL					LBS. 17,966

SPLICE LENGTH CHART

BAR	SIZE	SPLICE LENGTH
A200	#4	2'-5"
A400	#4	1'-9"
B1	#4	1'-9"
B3	#4	1'-9"
C1	#4	1'-11"

STAGE I QUANTITIES

CLASS A CONCRETE	
BARREL @ 0.887 C.Y./FT.	76.3 C.Y.
WINGS, ETC.	12.7 C.Y.
TOTAL	89.0 C.Y.
REINFORCING STEEL	
BARREL	11,281 LBS.
WINGS, ETC.	721 LBS.
TOTAL	12,002 LBS.

STAGE II QUANTITIES

CLASS A CONCRETE	
BARREL @ 1.880 C.Y./FT.	161.7 C.Y.
WINGS, ETC.	18.0 C.Y.
TOTAL	179.7 C.Y.
REINFORCING STEEL	
BARREL	17,966 LBS.
WINGS, ETC.	721 LBS.
TOTAL	18,687 LBS.

PROJECT NO. B-5243
UNION COUNTY
STATION: 19+67.20 -L-

SHEET 4 OF 6

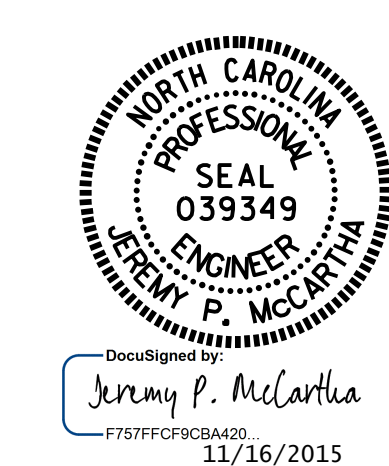
STATE OF NORTH CAROLINA
DEPARTMENT OF TRANSPORTATION
RALEIGH

DOUBLE 12 FT. X 8 FT.
CONCRETE BOX CULVERT

95° SKEW/90° HEADWALL

REVISIONS				SHEET NO.	
NO.	BY:	DATE:	NO.	BY:	DATE:
1			3		
2			4		

TOTAL SHEETS 6



DRAWN BY: N.D. AIUTO DATE: 2/2/15
CHECKED BY: P.S. ADKINS DATE: 3/2/15
DESIGN ENGINEER OF RECORD: J.P. MCCARTHA DATE: 8/3/15