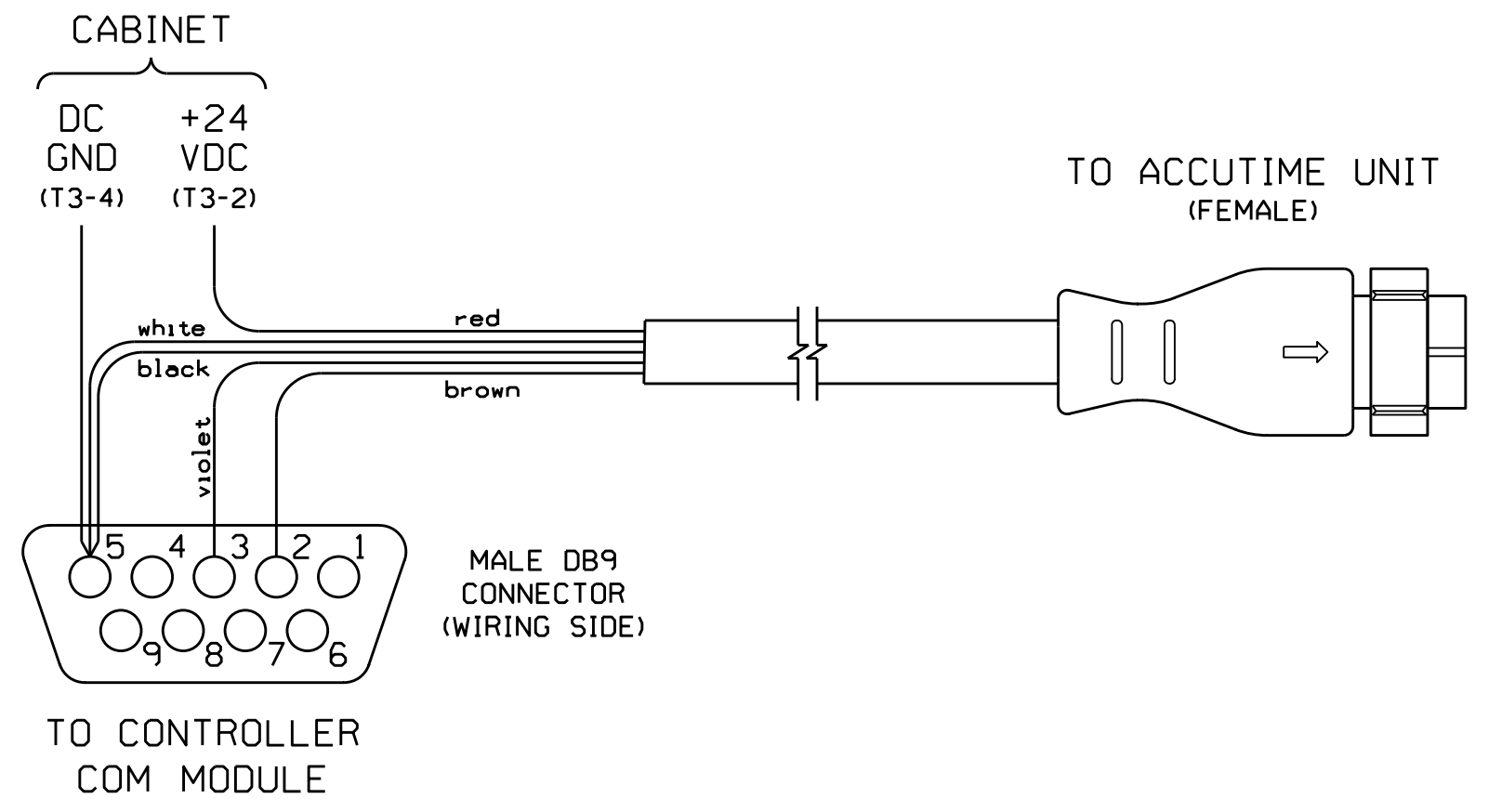


**CONNECTOR WIRING DETAIL FOR ACCUTIME GPS ANTENNA  
WITH SERIAL INTERFACE**

*(make connections as shown)*



SIGNAL DESCRIPTION	12 CONDUCTOR CABLE COLOR	ACCUTIME CONNECTOR	DB9 TO CONTROLLER	CABINET CONNECTION
DC POWER	RED	PIN 1		T3-2
PORT B: RECEIVE	VIOLET	PIN 2	PIN 3	
PORT B: TRANSMIT	BROWN	PIN 4	PIN 2	
PORT A: RECEIVE	WHITE	PIN 6	PIN 5	
DC GROUND	BLACK	PIN 9	PIN 5	T3-4

Note: All other wires in the Accutime cable are unused and should be tied off.

Configure the Com Port used by the Accutime unit in the Oasis software using the settings below:

- \* 9600 Baud
- \* 8 Data Bits
- \* 1 Stop Bit
- \* Odd Parity
- \* Trimble TSIP GPS Protocol

Be sure to enable the "GET TIME FROM GPS" option under D-1 (Set Clock) menu.

THIS ELECTRICAL DETAIL IS FOR  
THE SIGNAL DESIGN: 10-0611  
DESIGNED: July 2015  
SEALED: 8/27/2015  
REVISED: N/A

28-AUG-2015 08:12  
 C:\TSS\GIS\Sig\Work\hgr\oasis\Sig\Map\Strickland\100611\_sme.e-xxx.dgn  
 C:\TSS\GIS\Sig\Work\hgr\oasis\Sig\Map\Strickland

Electrical Detail - Sheet 3 of 3

ELECTRICAL AND PROGRAMMING DETAILS FOR:  Prepared In the Offices of: 	<b>SR 1009 (Old Monroe Road) at SR 1008 (Waxhaw - Indian Trail Road)</b>		SEAL 
	Division 10 PLAN DATE: August 2015 PREPARED BY: C. Strickland	Union County Indian Trail REVIEWED BY: GCB REVIEWED BY:	REVISIONS INIT. DATE