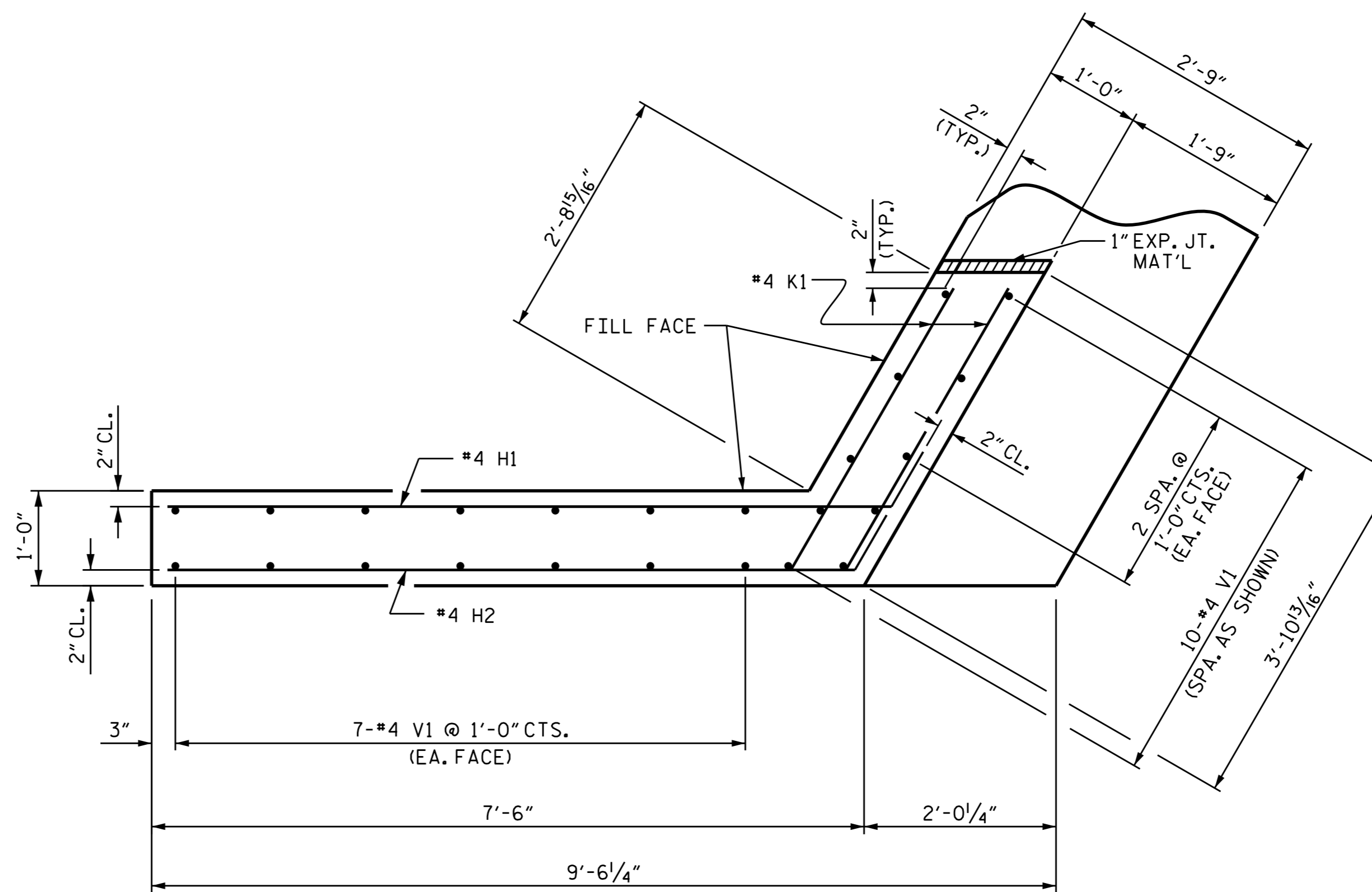
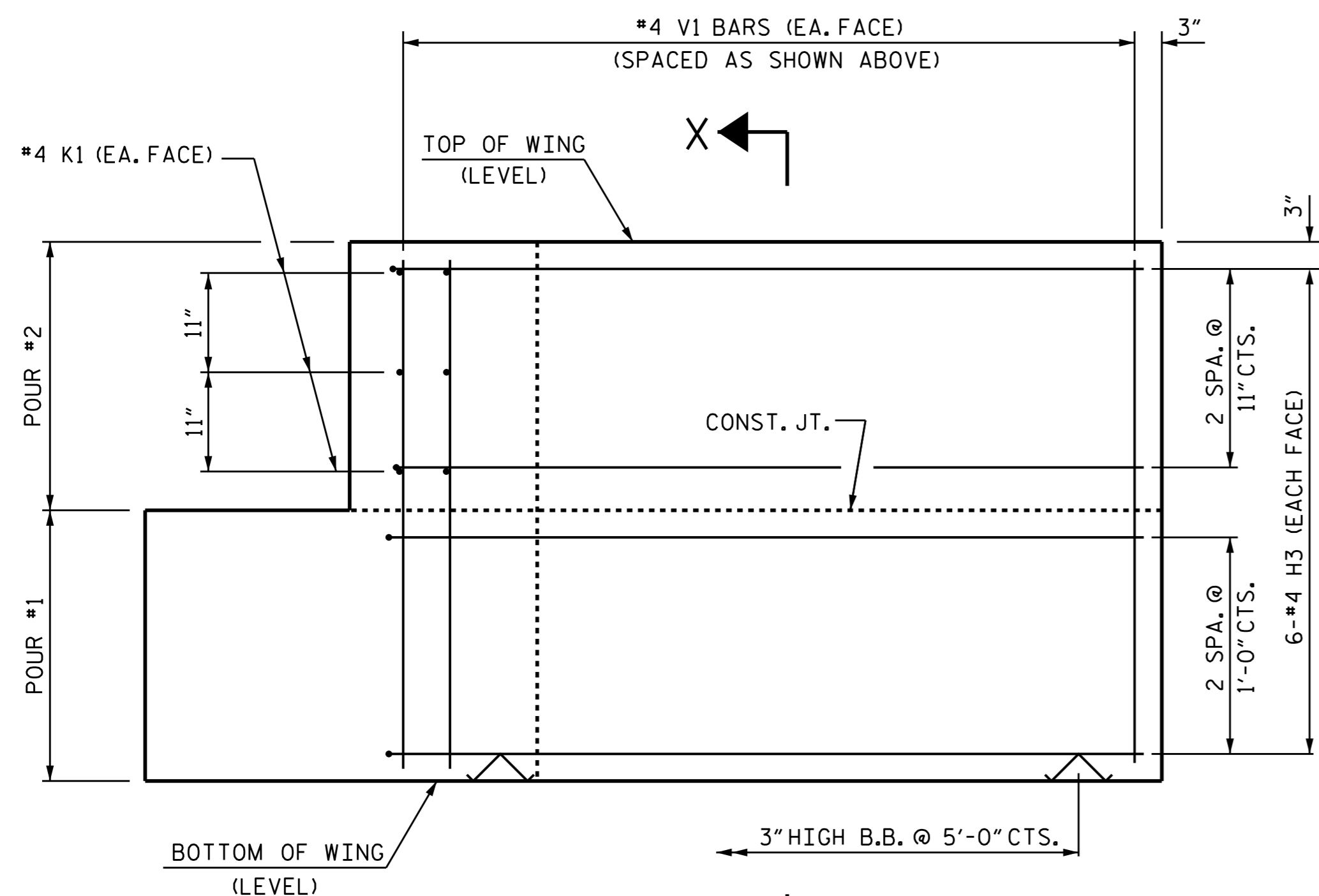


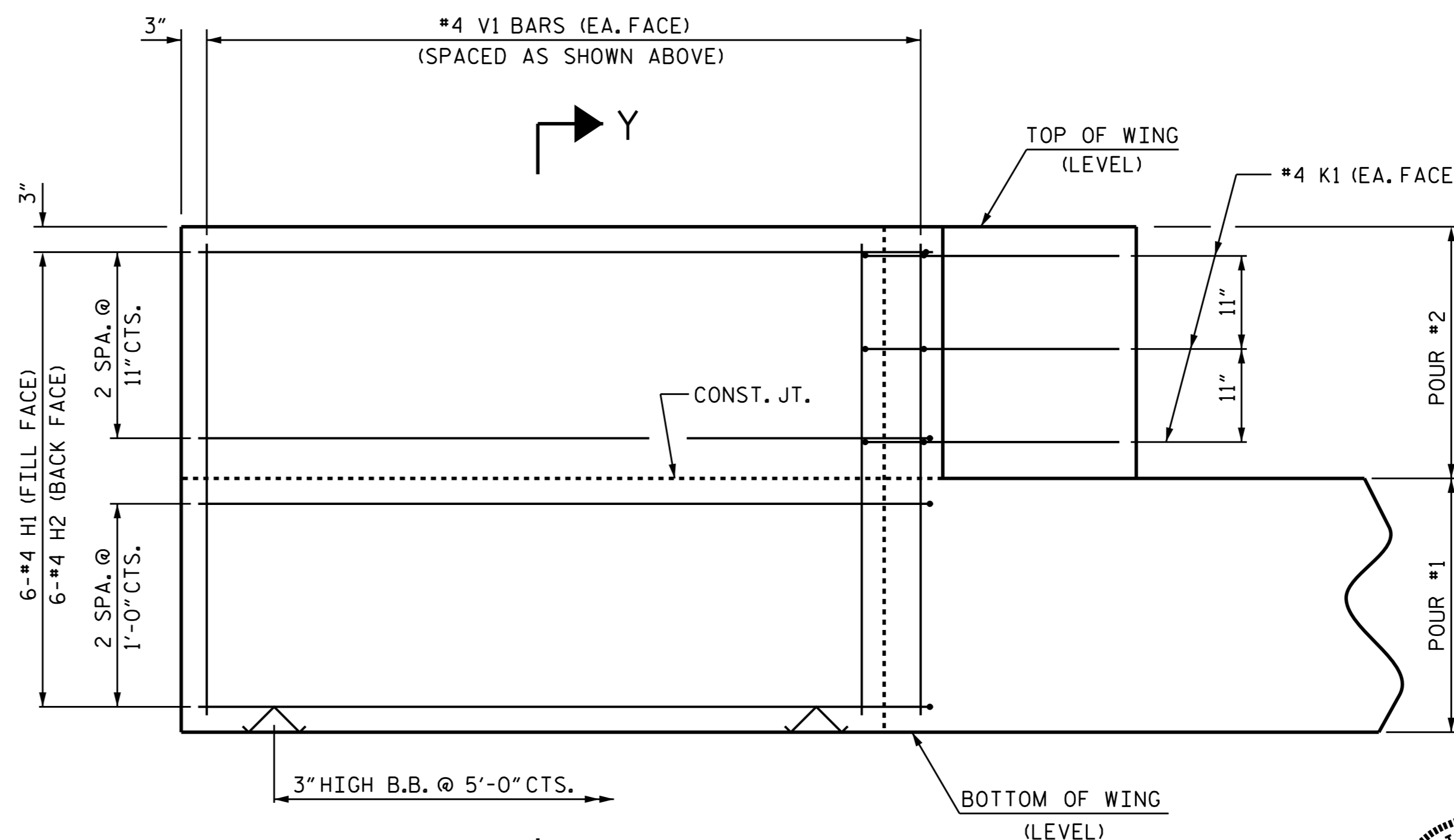
PLAN OF WING (W1)



PLAN OF WING (W2)

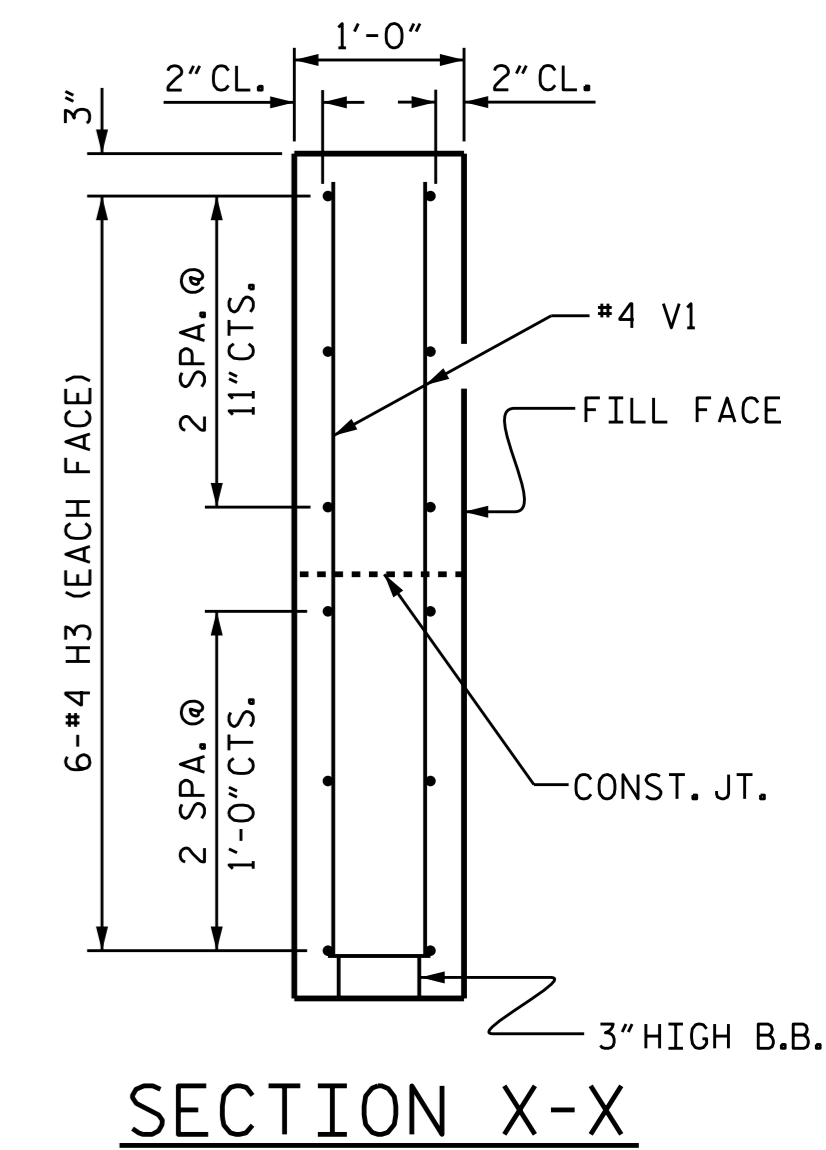


ELEVATION OF WING (W1)

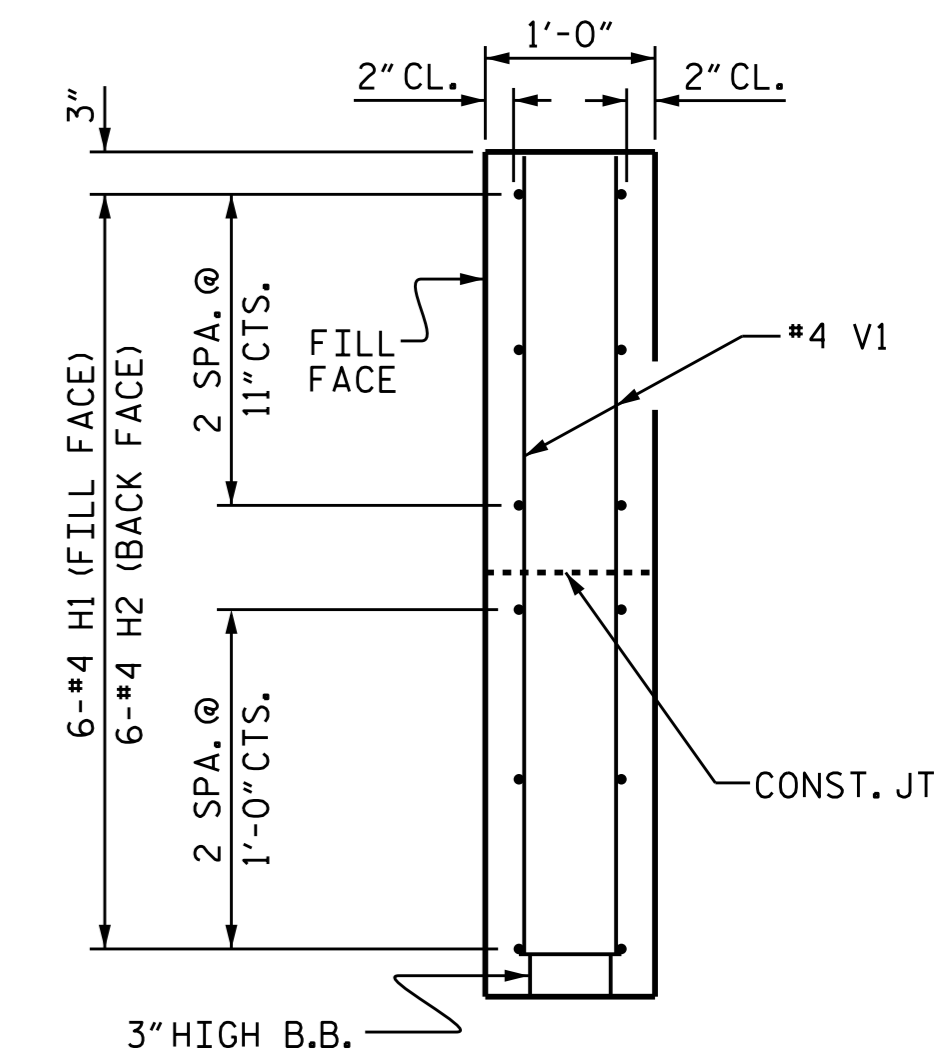


ELEVATION OF WING (W2)

WING DETAILS



SECTION X-X



SECTION Y-Y

PROJECT NO. B-5404
JACKSON COUNTY
 STATION: 17+20.00-L-

SHEET 3 OF 4



STATE OF NORTH CAROLINA DEPARTMENT OF TRANSPORTATION RALEIGH					
SUBSTRUCTURE END BENT WING DETAILS					
REVISIONS					
NO.	BY:	DATE:	NO.	BY:	DATE:
1			3		
2			4		
					SHEET NO. S-11
					TOTAL SHEETS 14

ASSEMBLED BY :	H. T. BARBOUR	DATE :	4-14-15
CHECKED BY :	V. X. NGUYEN	DATE :	4-15
DRAWN BY :	DGE	12/09	REV. 4/15
CHECKED BY :	MKT	01/10	MAA/TMG

18-NOV-2015 09:32
 Y:\Structures\FinalPlans\B5404.SD.E*.dgn
 warafat