

GENERAL NOTES:

USE CLASS "B" CONCRETE THROUGHOUT.

PROVIDE ALL JUNCTION BOXES OVER 3'-6" IN DEPTH WITH STEPS 12" ON CENTER. USE STEPS WHICH COMPLY WITH STD. DRAWING 840.66.

OPTIONAL CONSTRUCTION - MONOLITHIC POUR, 2" KEYWAY, OR #4 BAR DOWELS AT 12" CENTERS AS DIRECTED BY THE ENGINEER.

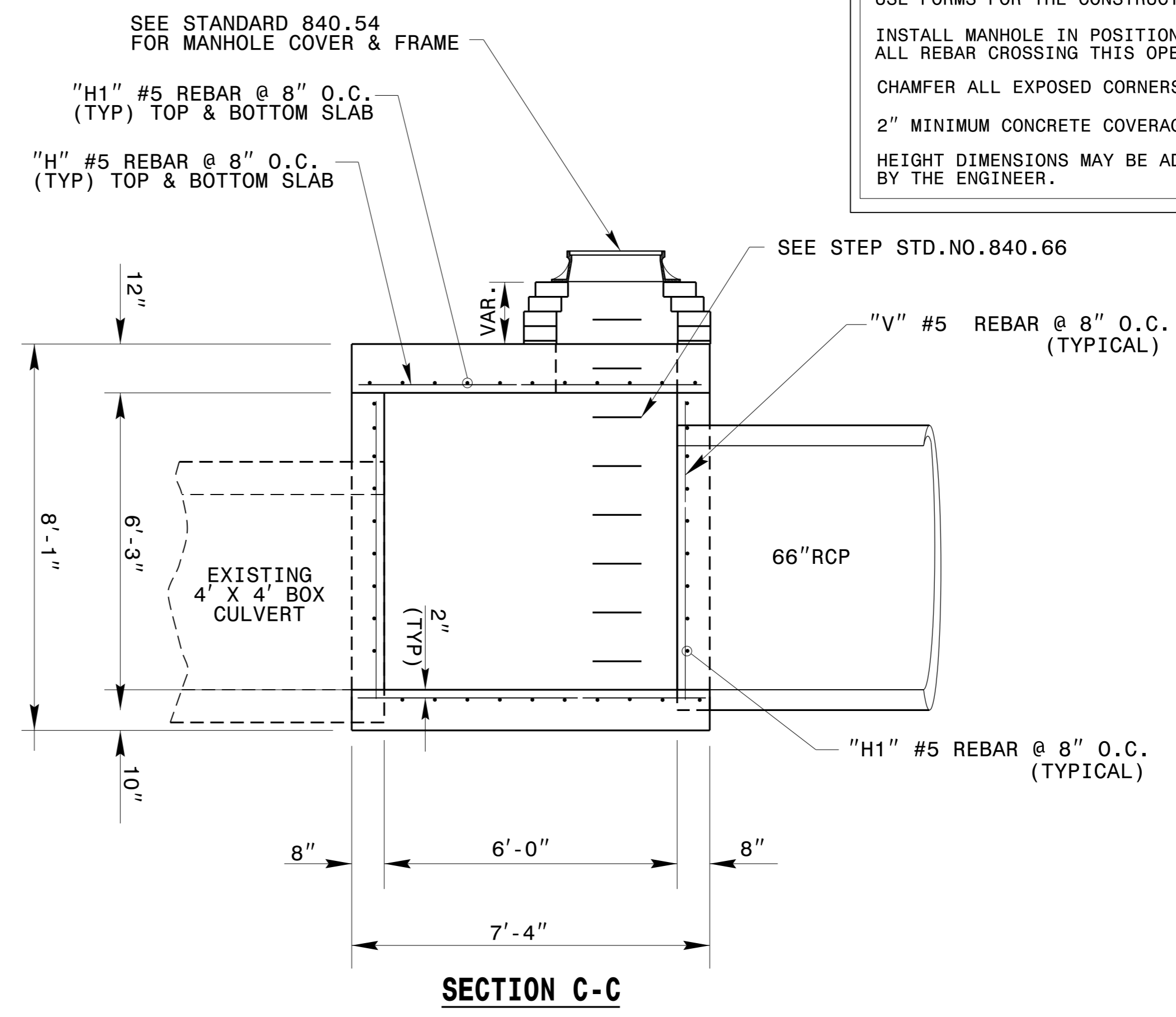
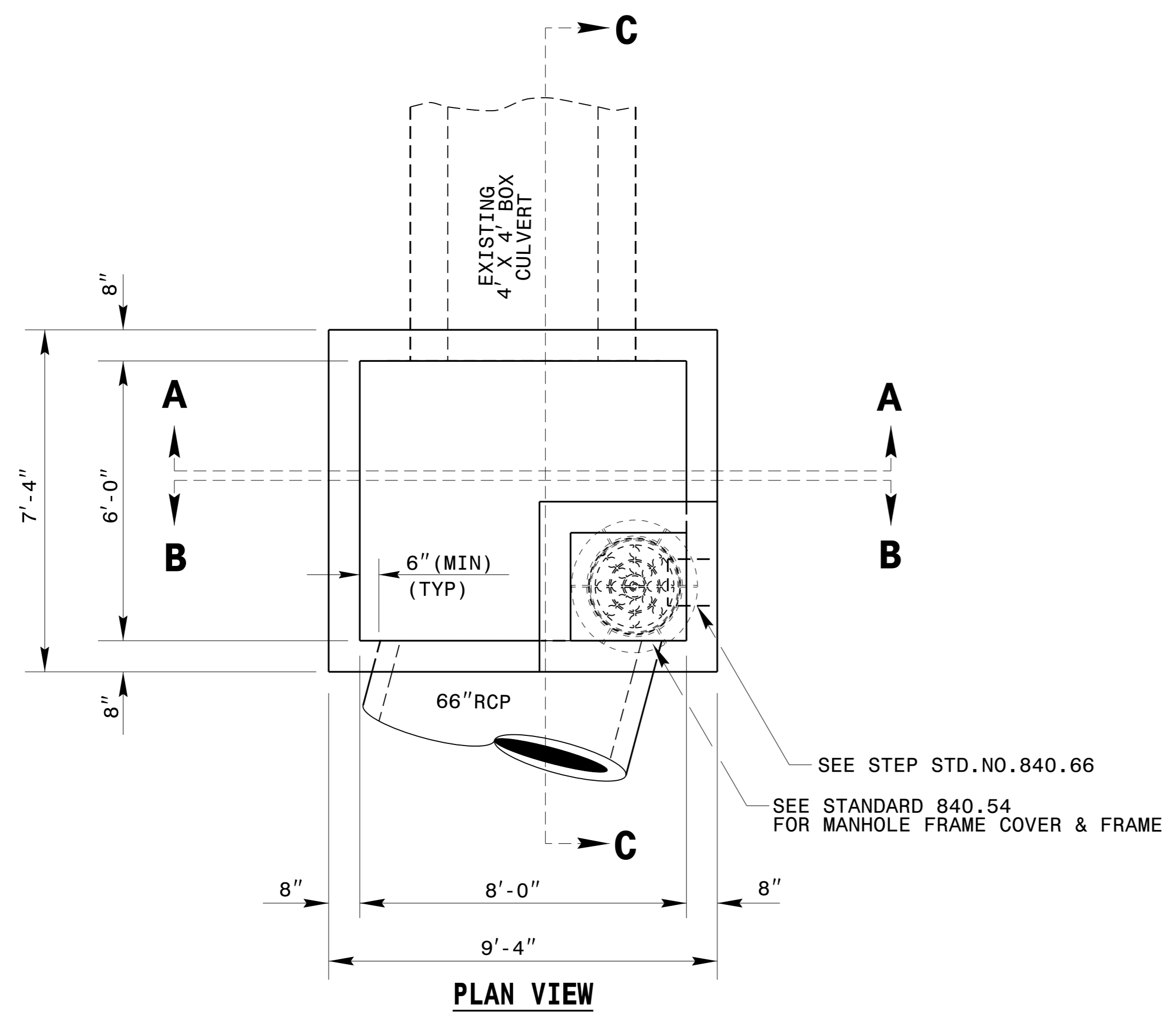
USE FORMS FOR THE CONSTRUCTION OF THE BOTTOM SLAB.

INSTALL MANHOLE IN POSITION AS DIRECTED BY THE ENGINEER. CUT AND BEND ALL REBAR CROSSING THIS OPENING TO ALLOW 2" MINIMUM CONCRETE COVERAGE.

CHAMFER ALL EXPOSED CORNERS 1".

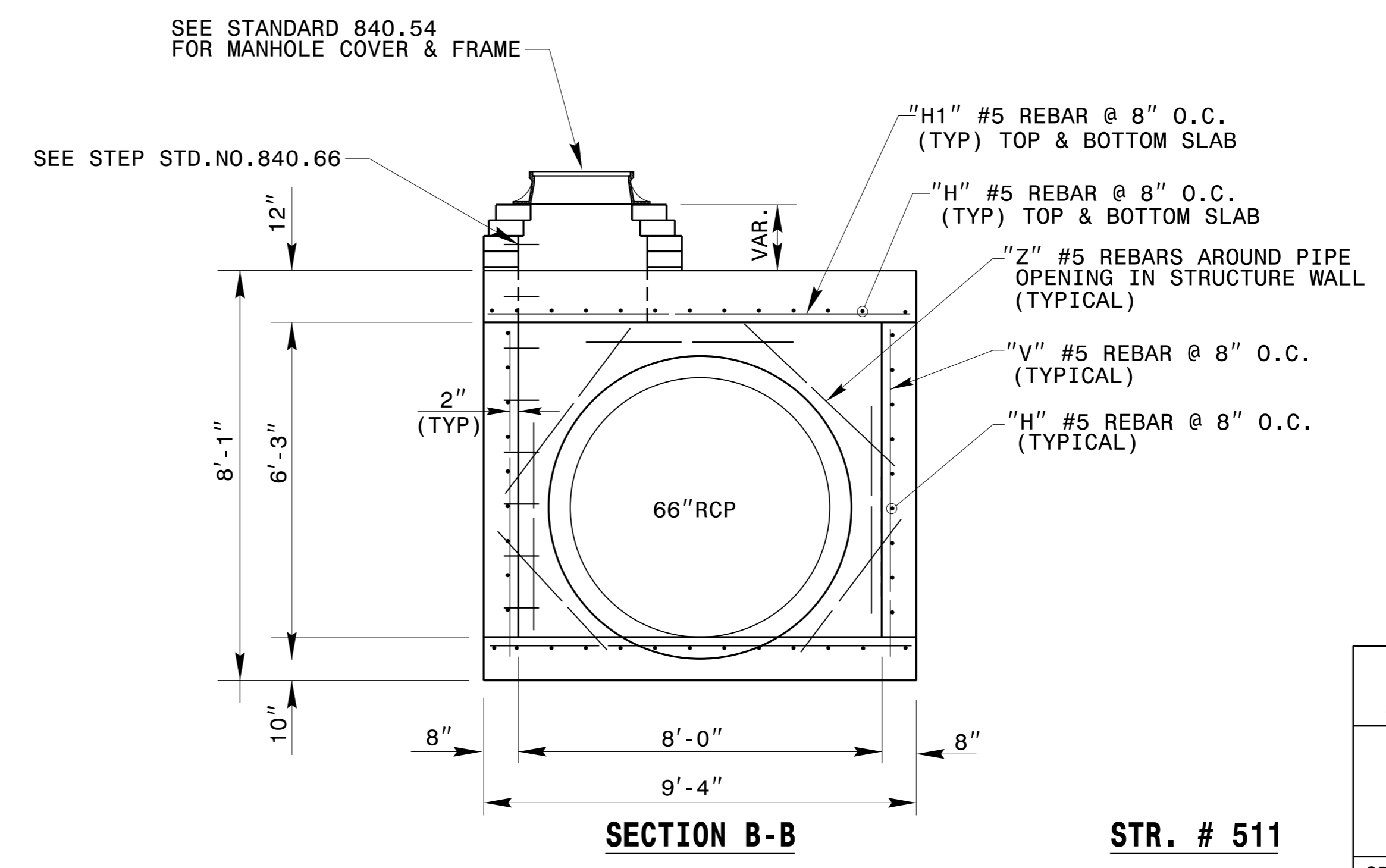
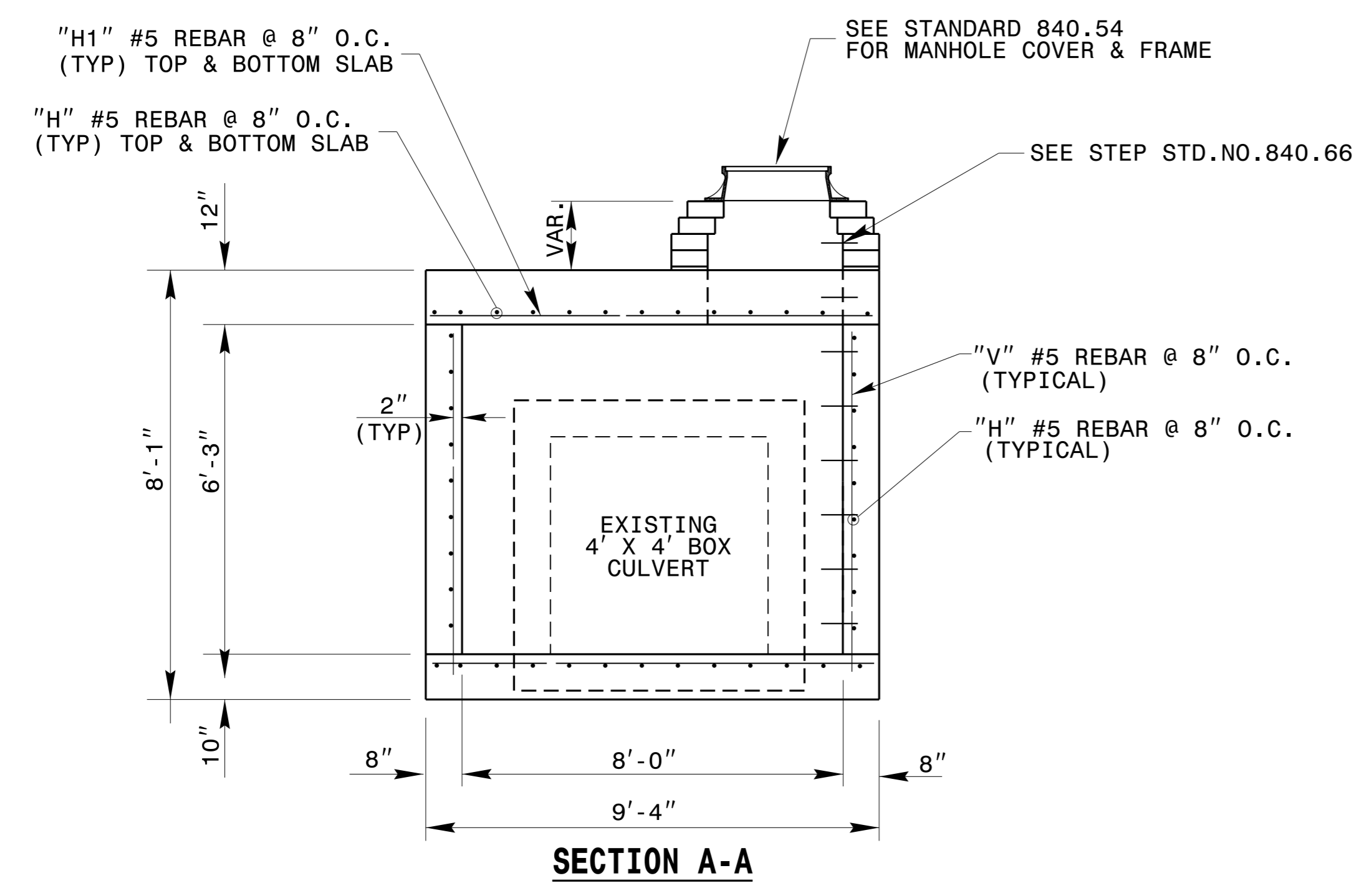
2" MINIMUM CONCRETE COVERAGE ON ALL REBAR.

HEIGHT DIMENSIONS MAY BE ADJUSTED DOWN FOR SMALLER PIPES AS DIRECTED BY THE ENGINEER.



BILL OF MATERIALS				
BAR	NO.	SIZE	LENGTH	WEIGHT
H	48	#5	7'-0"	350
H1	42	#5	9'-0"	394
V	48	#5	7'-6"	375
Z	7	#5	4'-0"	30
TOTAL REINF. STEEL (LBS.)				1119
TOTAL CONC. (CU. YDS.)				10.0

* 0.88 CU. YD. DEDUCTION FOR 1-66" RC PIPE
 * 0.30 CU. YD. PER FOOT OF RISER HEIGHT
 * NO DEDUCTION HAS BEEN MADE FOR PIPES



DocuSigned by:
 Joel S. Howerton
 873F3D17DCD45F...
 11/5/2015

DOCUMENT NOT CONSIDERED FINAL
 UNLESS ALL SIGNATURES COMPLETED

CONTRACTS STANDARDS AND DEVELOPMENT UNIT
 Office 919-707-6950 FAX 919-250-4119

JUNCTION BOX WITH MANHOLE

STR. # 511

DRAWING NOT TO SCALE

ORIGINAL BY: KKEMPF	DATE: 09/21/15
MODIFIED BY:	DATE:
CHECKED BY:	DATE:
FILE SPEC.: detail/kkempff/english/66 4x4 jb.dgn	

5/14/09
 TIME
 USER