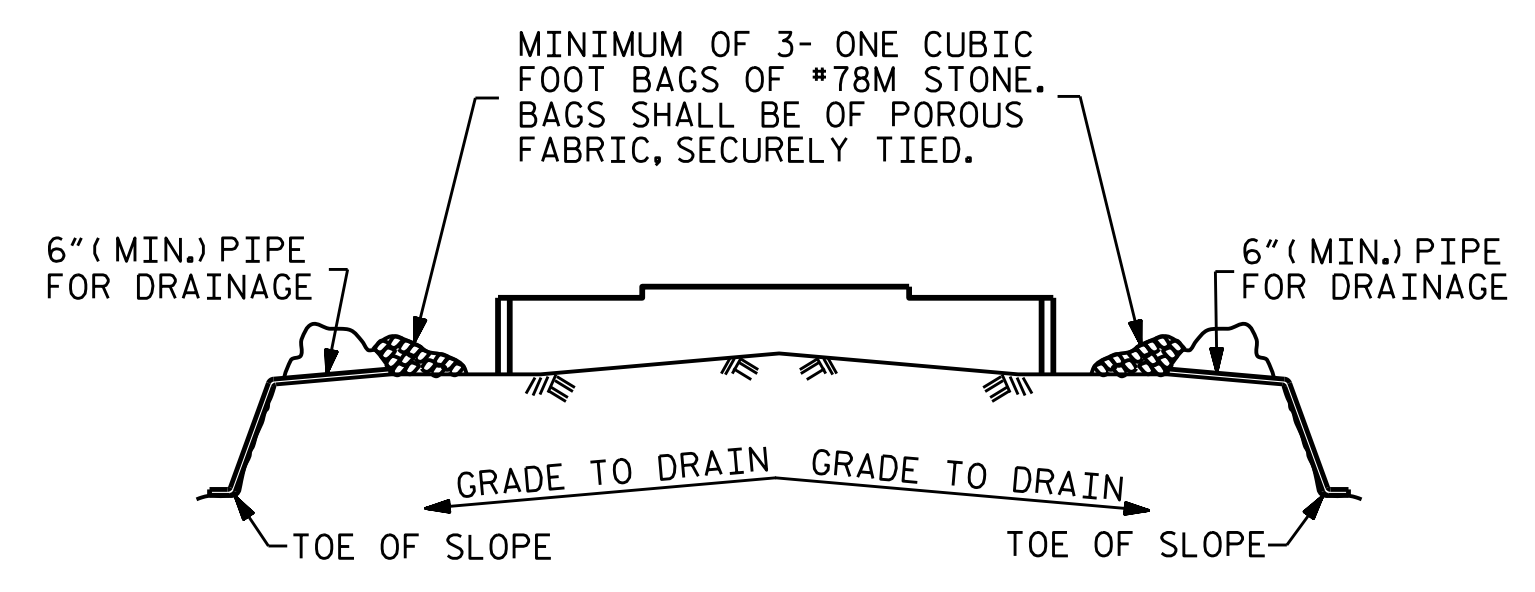


**PILE SPLICE DETAILS**



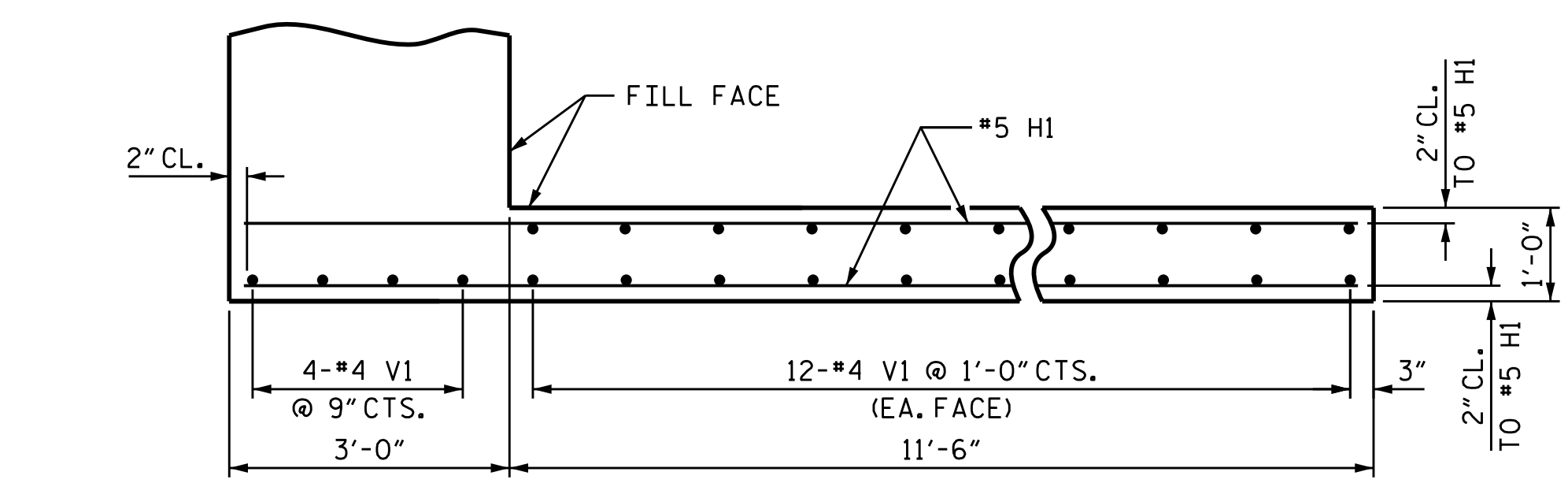
BAGGED STONE AND PIPE SHALL BE PLACED IMMEDIATELY AFTER COMPLETION OF END BENT EXCAVATION. PIPE MAY BE EITHER CONCRETE, CORRUGATED STEEL, CORRUGATED ALUMINUM ALLOY, OR CORRUGATED PLASTIC. PERFORATED PIPE WILL NOT BE ALLOWED.

BAGGED STONE SHALL REMAIN IN PLACE UNTIL THE ENGINEER DIRECTS THAT IT BE REMOVED. THE CONTRACTOR SHALL REMOVE AND DISPOSE OF SILT ACCUMULATIONS AT BAGGED STONE WHEN SO DIRECTED BY THE ENGINEER. BAGS SHALL BE REMOVED AND REPLACED WHENEVER THE ENGINEER DETERMINES THAT THEY HAVE DETERIORATED AND LOST THEIR EFFECTIVENESS.

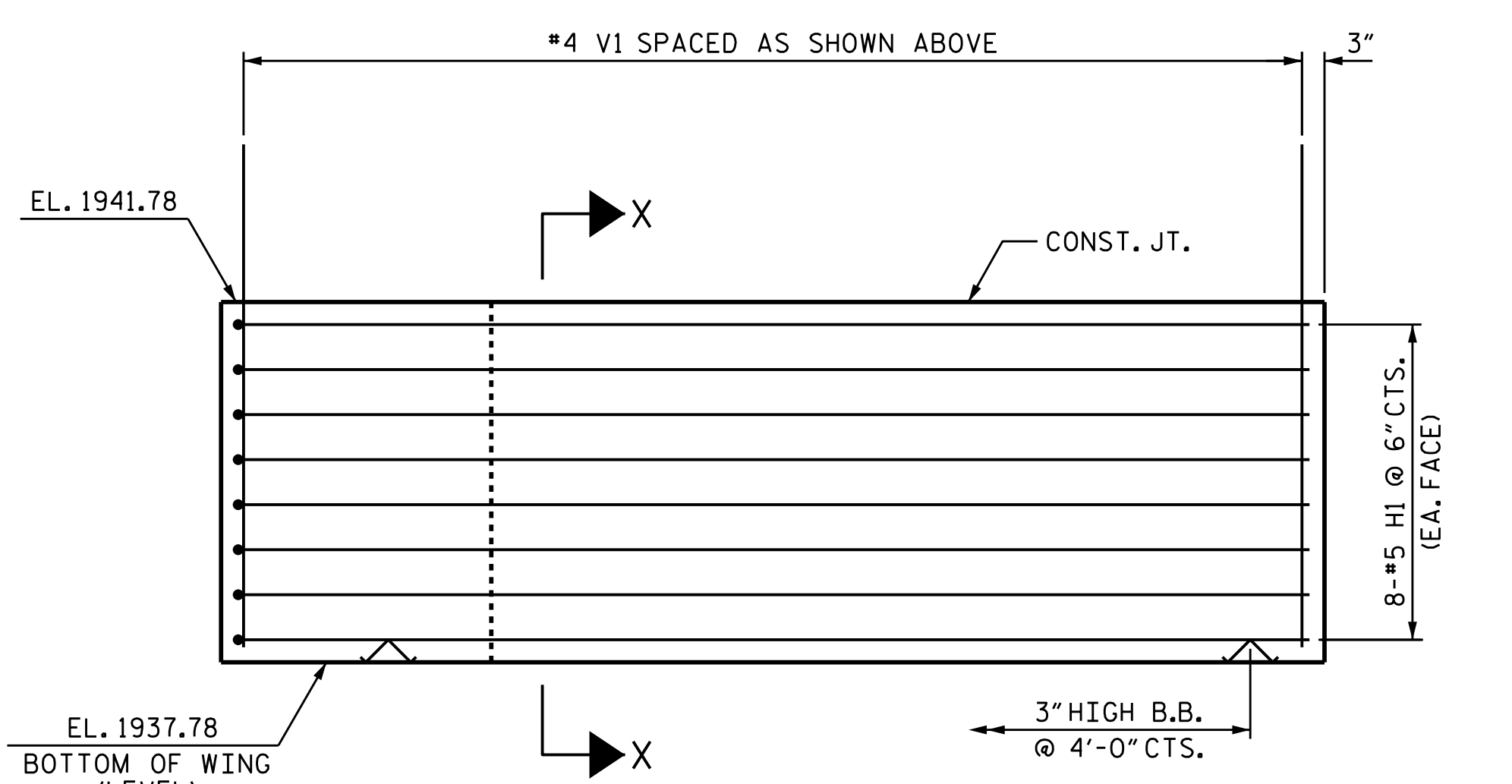
NO SEPARATE PAYMENT WILL BE MADE FOR THIS WORK AND THE ENTIRE COST OF THIS WORK SHALL BE INCLUDED IN THE UNIT CONTRACT PRICE BID FOR THE SEVERAL PAY ITEMS.

**TEMPORARY DRAINAGE AT END BENT**

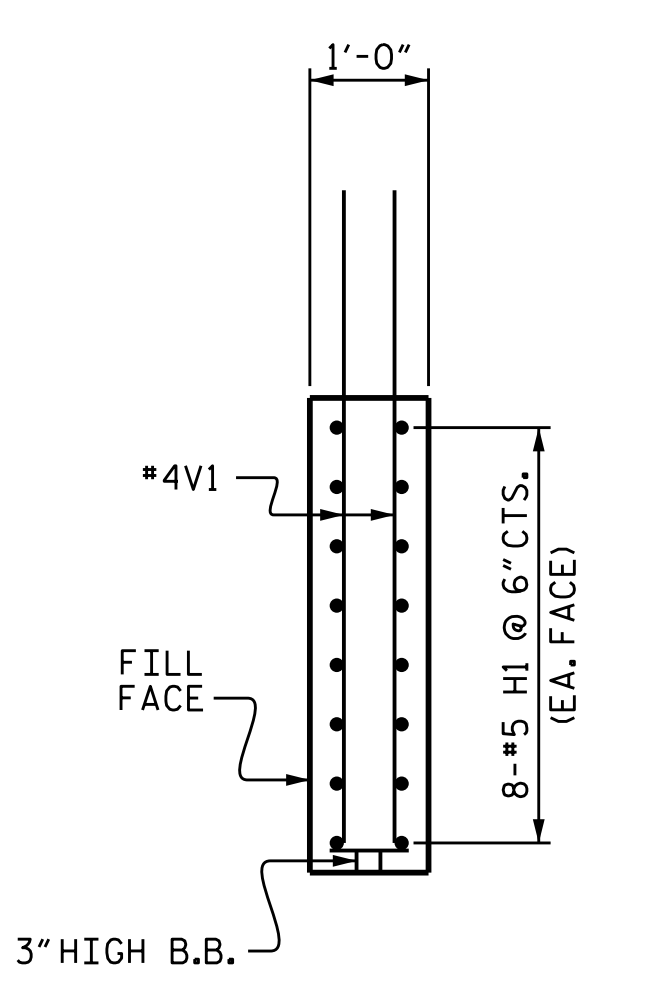
BAR TYPES					BILL OF MATERIAL				
					END BENT No. 1				
BAR	NO.	SIZE	TYPE	LENGTH	WEIGHT				
B1	8	#9		38'-7"	1049				
B2	6	#5	STR	36'-3"	227				
B3	8	#4	STR	19'-4"	103				
B4	10	#4	STR	2'-8"	18				
H1	32	#5	STR	14'-2"	473				
S1	38	#4	3	10'-8"	271				
S2	38	#4	2	3'-5"	87				
S3	20	#4	4	6'-6"	87				
V1	122	#4	STR	5'-9"	469				
REINFORCING STEEL					LBS.	2,784			
CLASS A CONCRETE					C.Y.	20.7			
HP 12 X 53 STEEL PILES									
NO. 5					LIN. FT.	100			



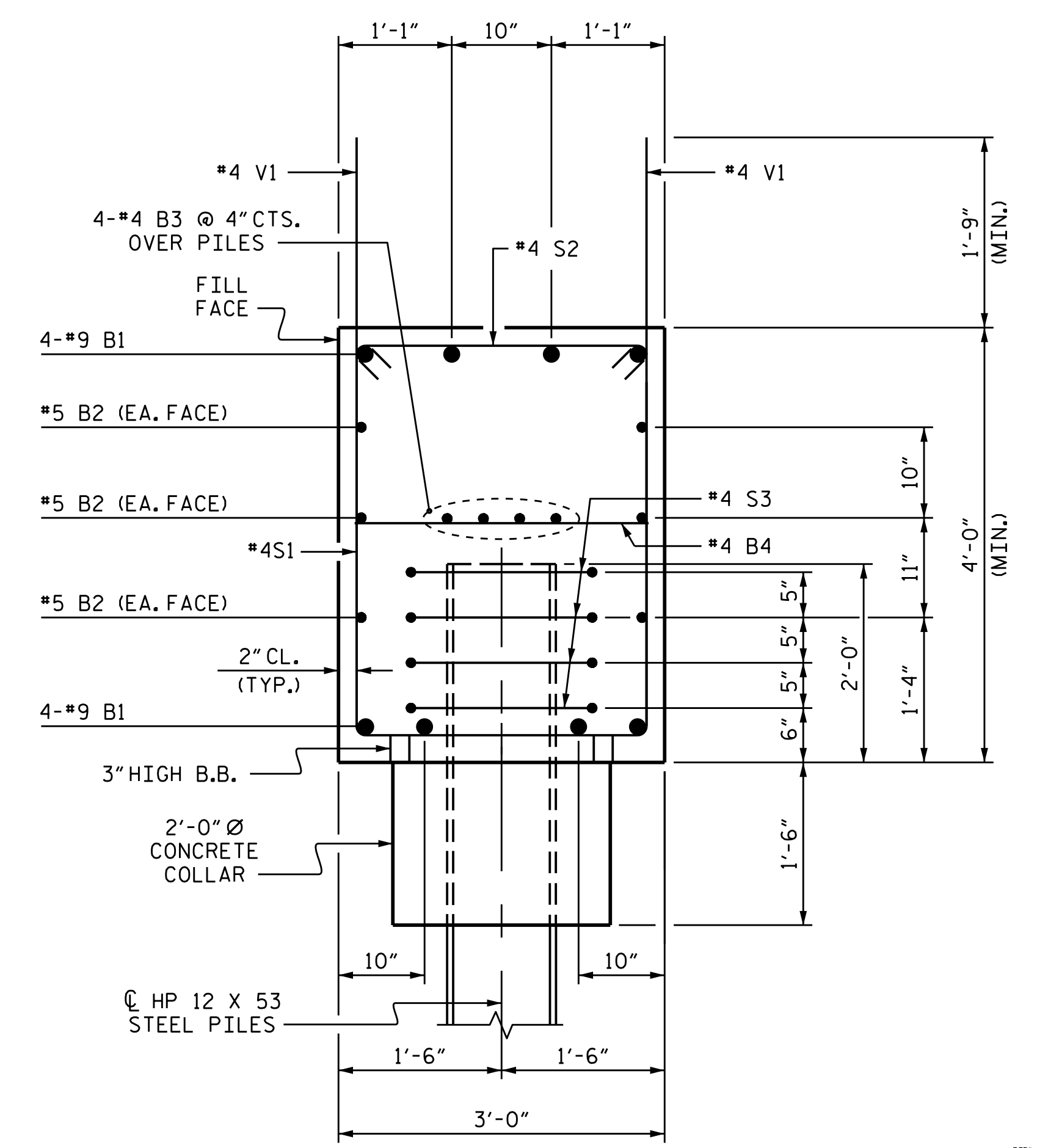
**PLAN OF WING W1**  
(WING W2 SIMILAR)



**ELEVATION OF WING W1**  
(WING W2 SIMILAR)



**SECTION X-X**



**SECTION A-A**

PROJECT NO. B-3868  
MACON COUNTY  
STATION: 18+33.50 -L-  
SHEET 2 OF 2

STATE OF NORTH CAROLINA DEPARTMENT OF TRANSPORTATION RALEIGH					
SUBSTRUCTURE INTEGRAL END BENT No. 1					
REVISIONS					SHEET NO.
NO.	BY:	DATE:	NO.	BY:	DATE:
1			3		
2			4		
					S-29
					TOTAL SHEETS 40

DRAWN BY : B.N. GRADY  
CHECKED BY : H.T. BARBOUR  
DESIGN ENGINEER OF RECORD: S.T. CHAMPION

DATE : 1/15  
DATE : 2/15  
DATE : 8/15

