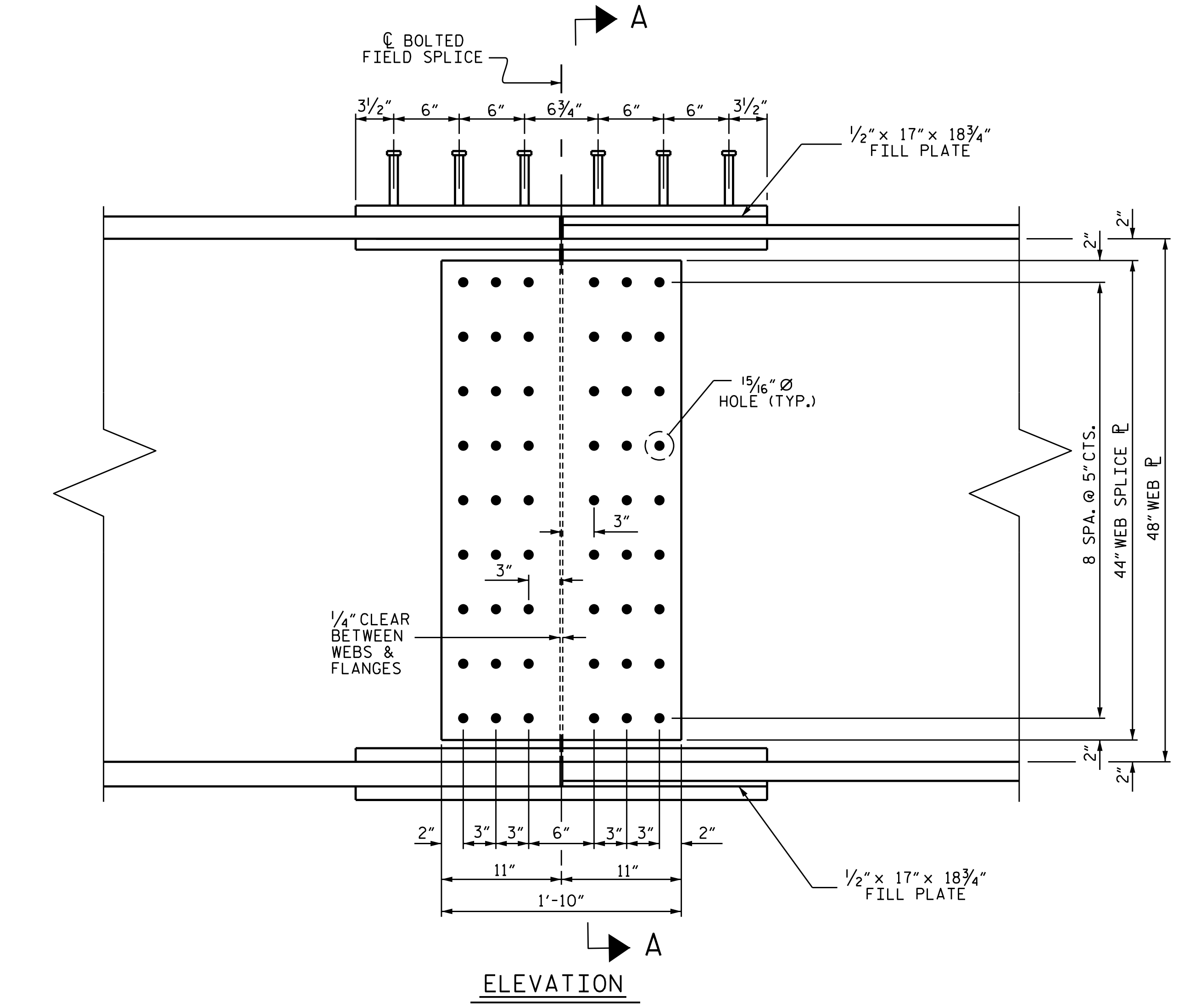
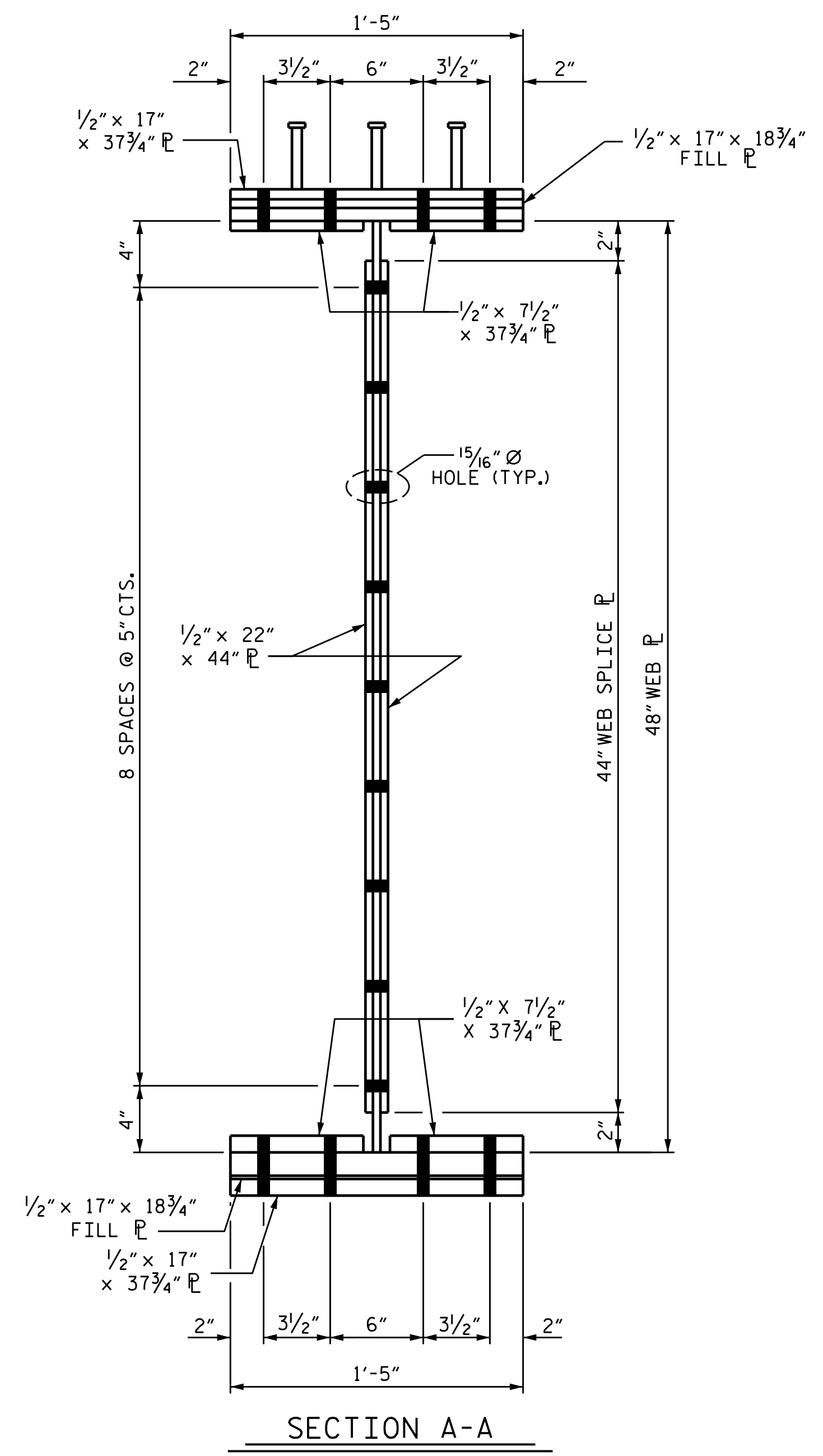


PLAN (TOP OF TOP FLANGE)

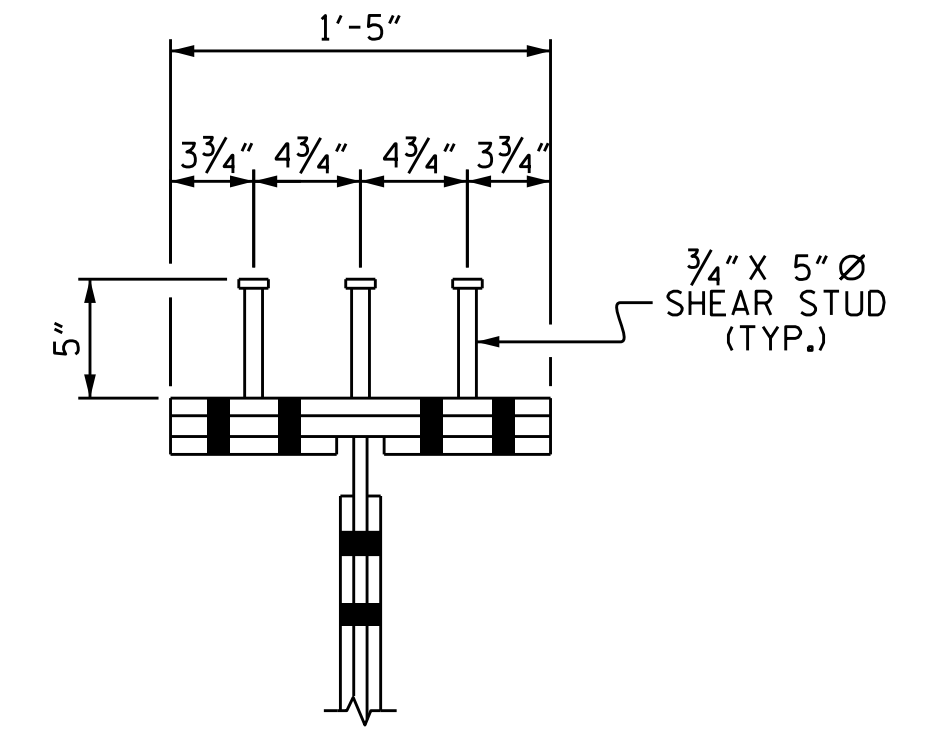
PLAN (TOP OF BOTTOM FLANGE)



ELEVATION



SECTION A-A



SHEAR STUD DETAIL FOR TOP FLANGE SPLICE PLATE  
(SHEAR STUDS ARE TO BE SHOP WELDED ON TOP OF PLATE BEFORE FIELD ASSEMBLY)

BOLTED FIELD SPLICE No. 2 DETAILS

DRAWN BY : D. HODGE DATE : 6/14  
 CHECKED BY : B.N. GRADY DATE : 6/15  
 DESIGN ENGINEER OF RECORD: S.T. CHAMPION DATE : 8/15

\*\*\*\*\*SYTIME\*\*\*\*\*  
 \*\*\*\*\*DCN\*\*\*\*\*  
 \*\*\*\*\*USERNAME\*\*\*\*\*

PROJECT NO. B-3868  
 MACON COUNTY  
 STATION: 18+33.50 -L-  
 SHEET 3 OF 6

STATE OF NORTH CAROLINA DEPARTMENT OF TRANSPORTATION RALEIGH					
SUPERSTRUCTURE STRUCTURAL STEEL DETAILS					
REVISIONS					
NO.	BY:	DATE:	NO.	BY:	DATE:
1			3		
2			4		
SHEET NO. S-15					TOTAL SHEETS 40

