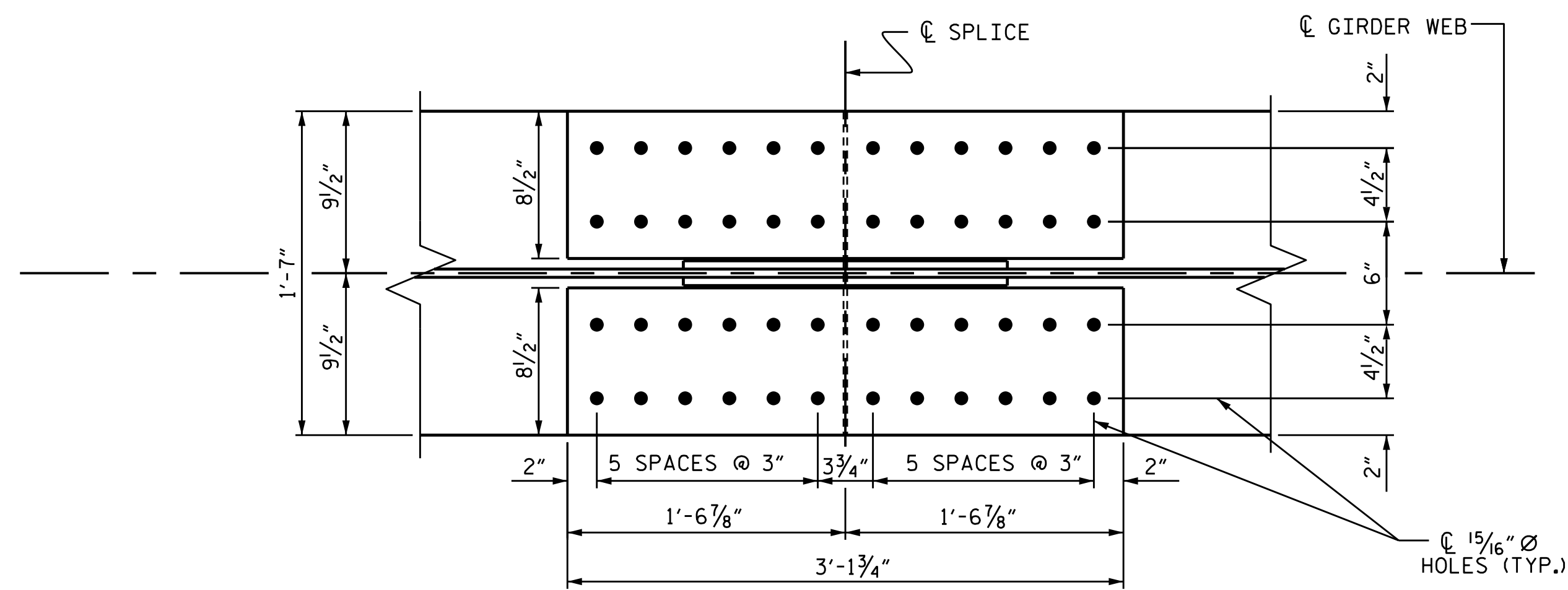
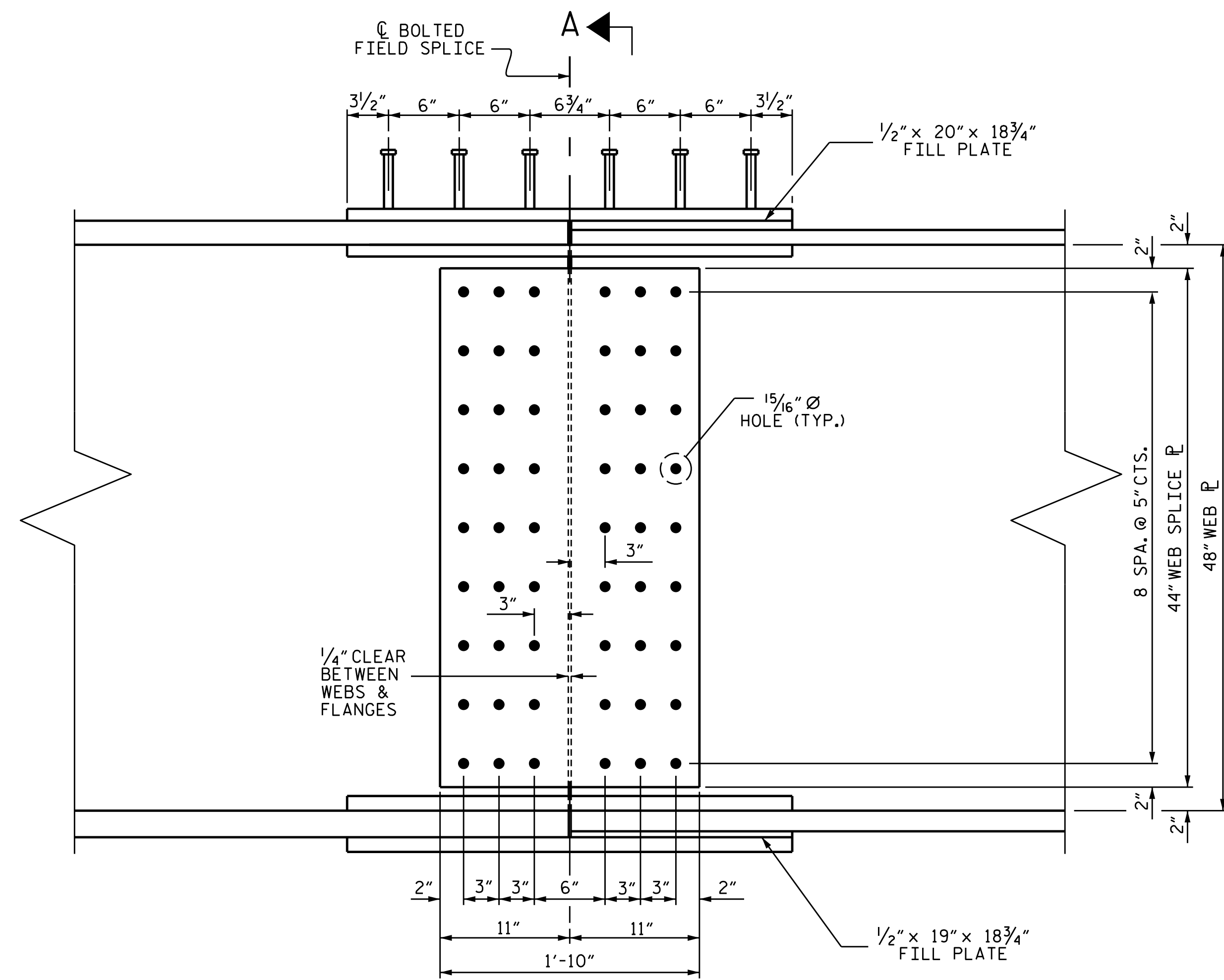


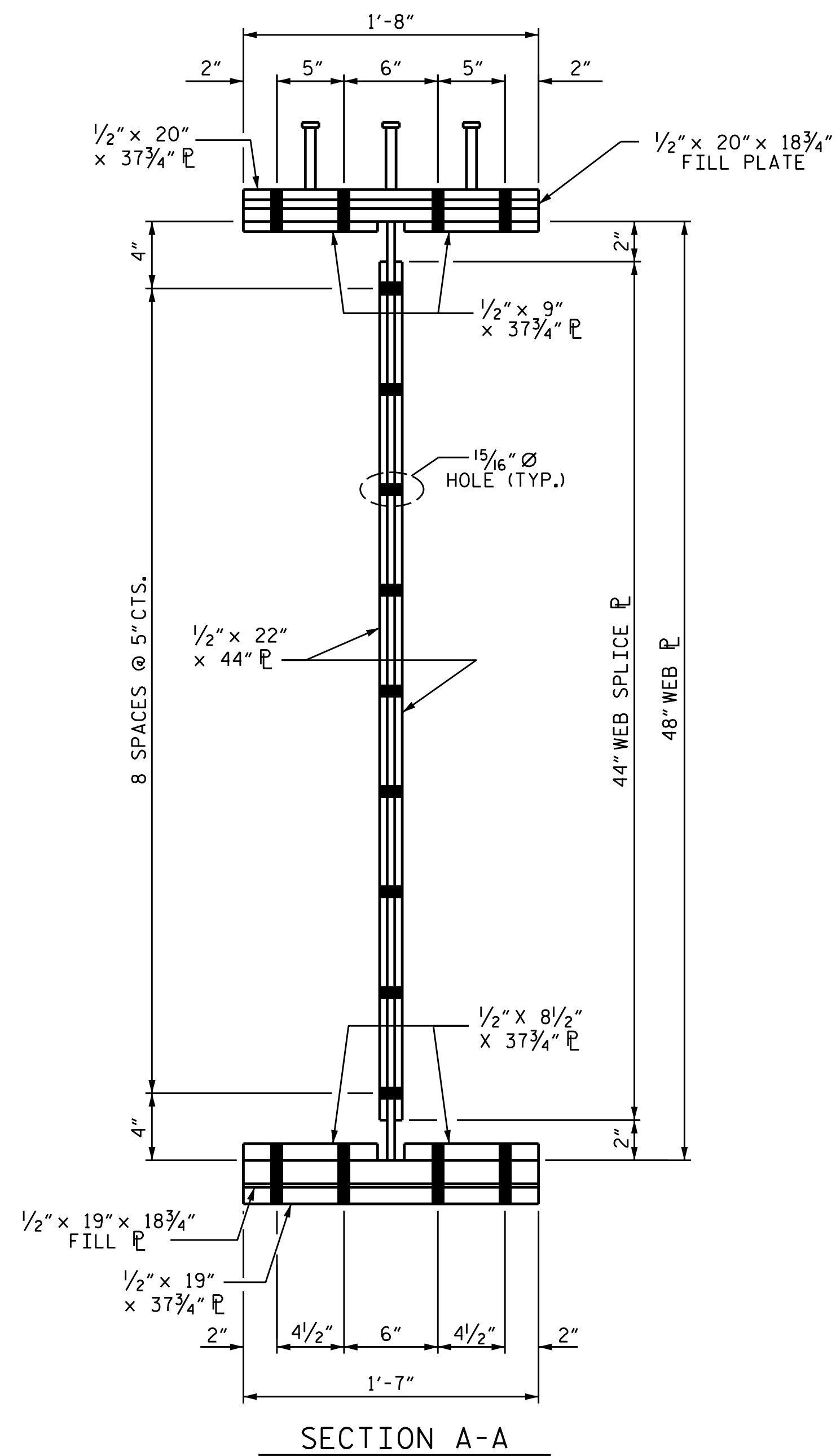
PLAN (TOP OF TOP FLANGE)



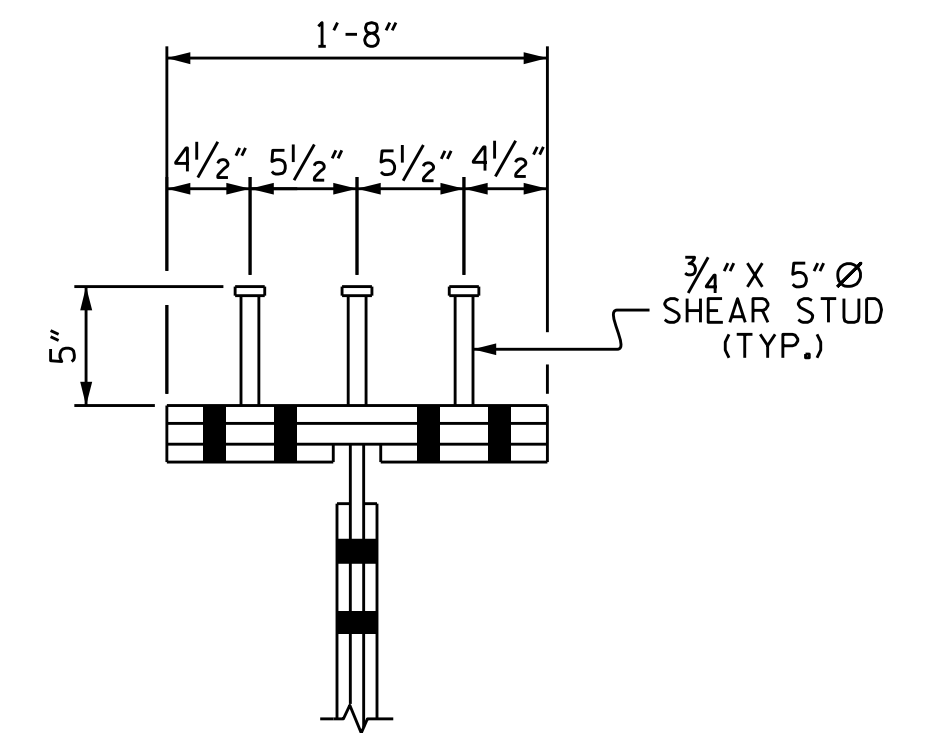
PLAN (TOP OF BOTTOM FLANGE)



ELEVATION



SECTION A-A



SHEAR STUD DETAIL FOR TOP FLANGE SPLICE PLATE  
(SHEAR STUDS ARE TO BE SHOP WELDED ON TOP OF PLATE BEFORE FIELD ASSEMBLY)

BOLTED FIELD SPLICE No. 1 DETAILS

DRAWN BY : D. HODGE DATE : 6/14  
 CHECKED BY : B.N. GRADY DATE : 6/15  
 DESIGN ENGINEER OF RECORD: S.T. CHAMPION DATE : 8/15

\*\*\*\*\*SYSTEM\*\*\*\*\*  
 \*\*\*\*\*DCN\*\*\*\*\*  
 \*\*\*\*\*USER\*\*\*\*\*

PROJECT NO. B-3868  
 MACON COUNTY  
 STATION: 18+33.50 -L-

SHEET 2 OF 6

STATE OF NORTH CAROLINA  
 DEPARTMENT OF TRANSPORTATION  
 RALEIGH

SUPERSTRUCTURE  
 STRUCTURAL STEEL  
 DETAILS



REVISIONS						SHEET NO.
NO.	BY:	DATE:	NO.	BY:	DATE:	S-14
1			3			TOTAL SHEETS
2			4			40