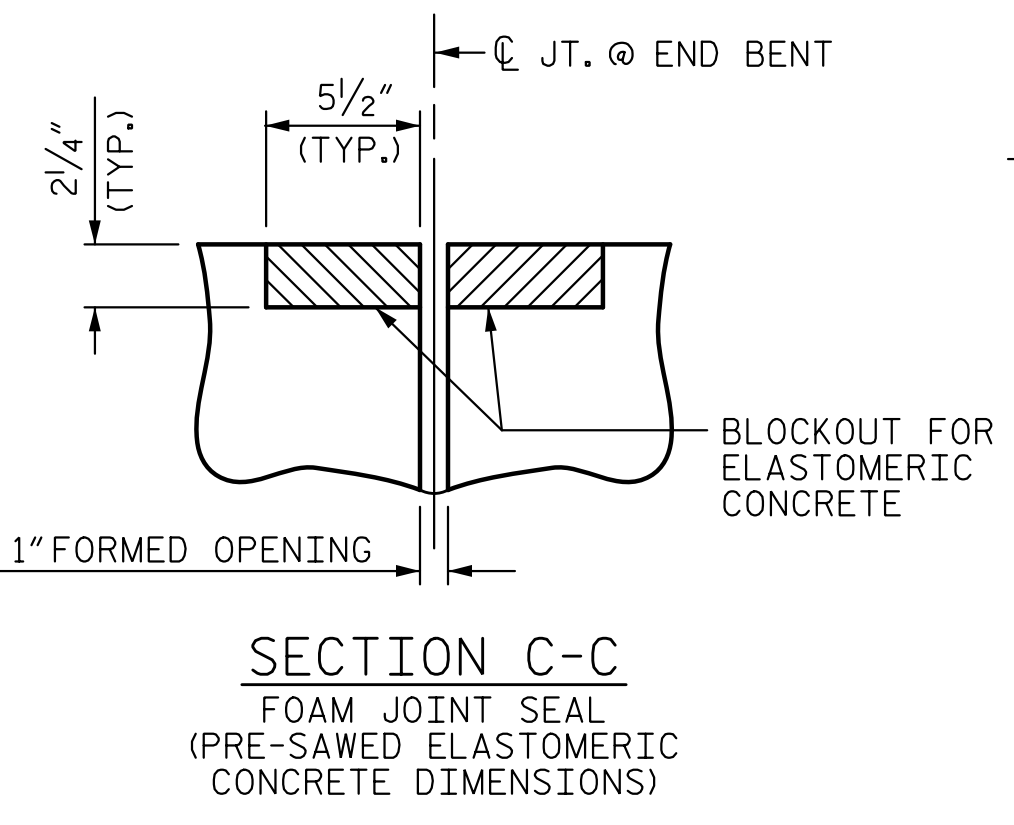
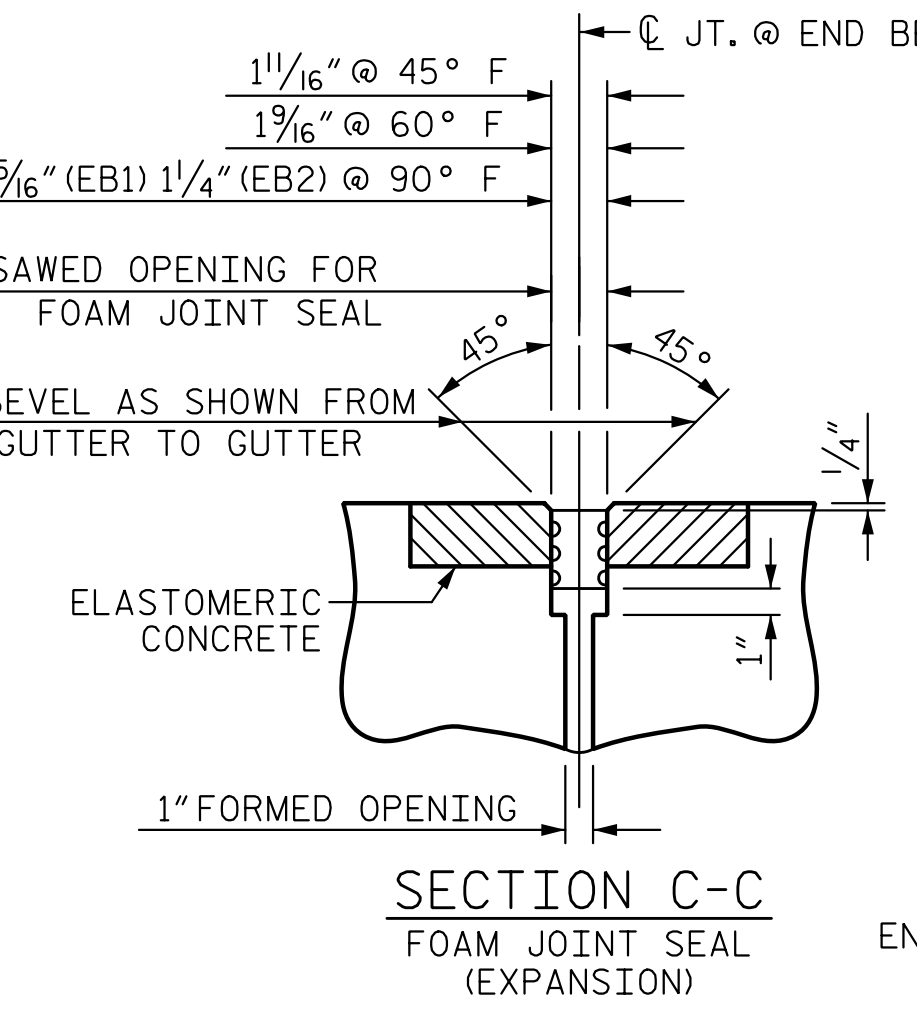


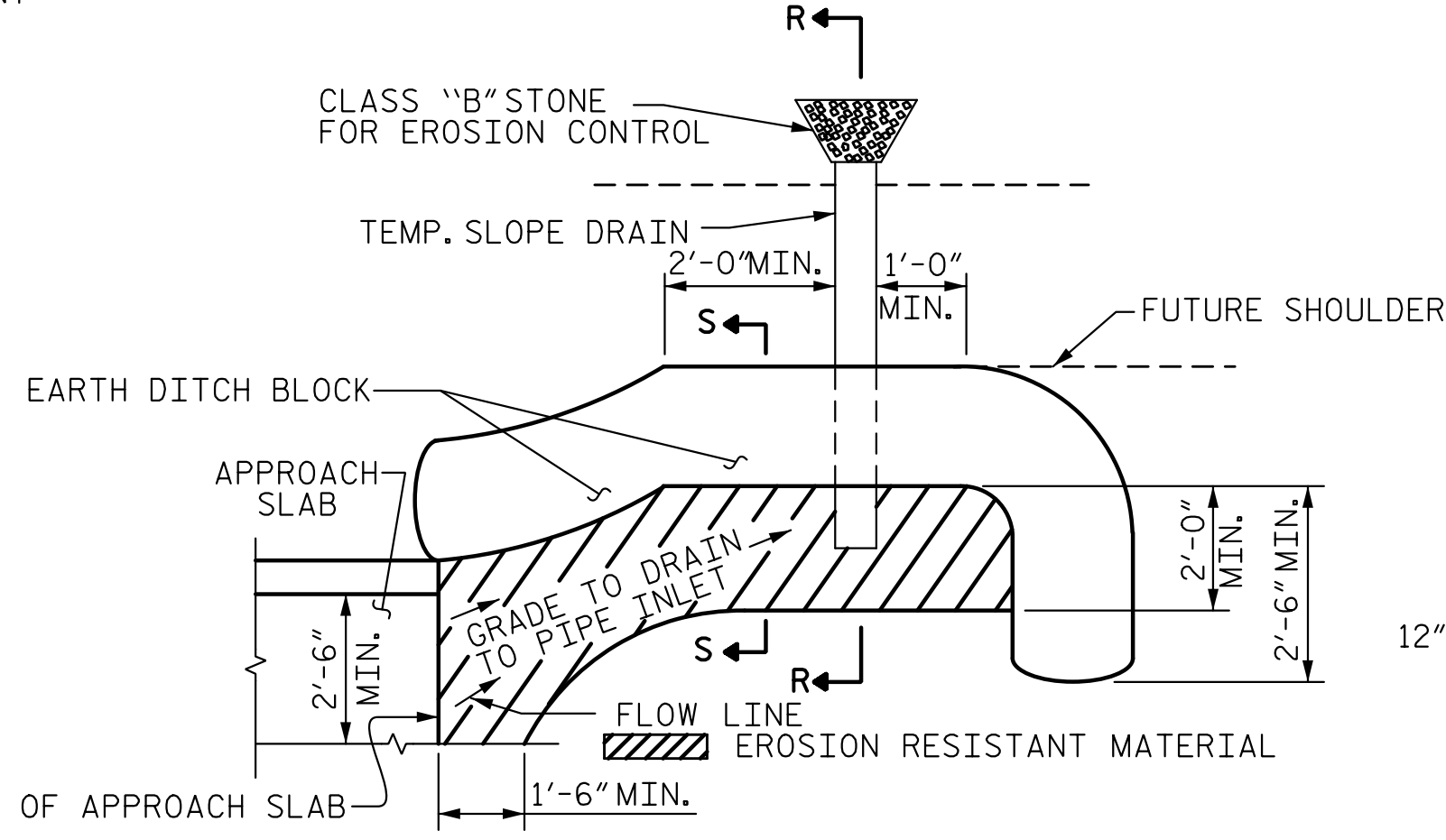
PLAN VIEW OF FOAM  
JOINT SEAL @ END BENT FOR SIDEWALK



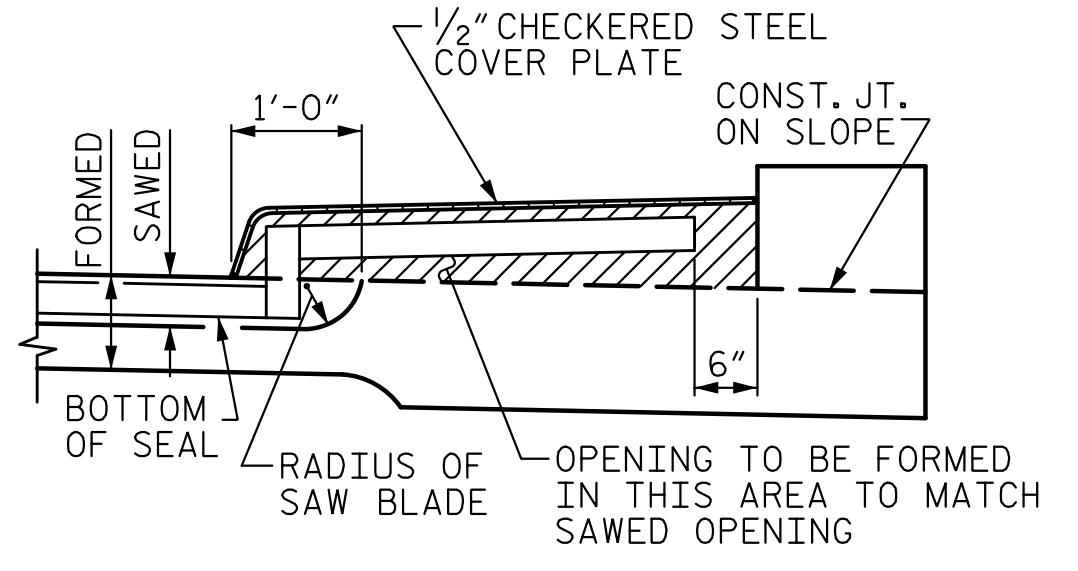
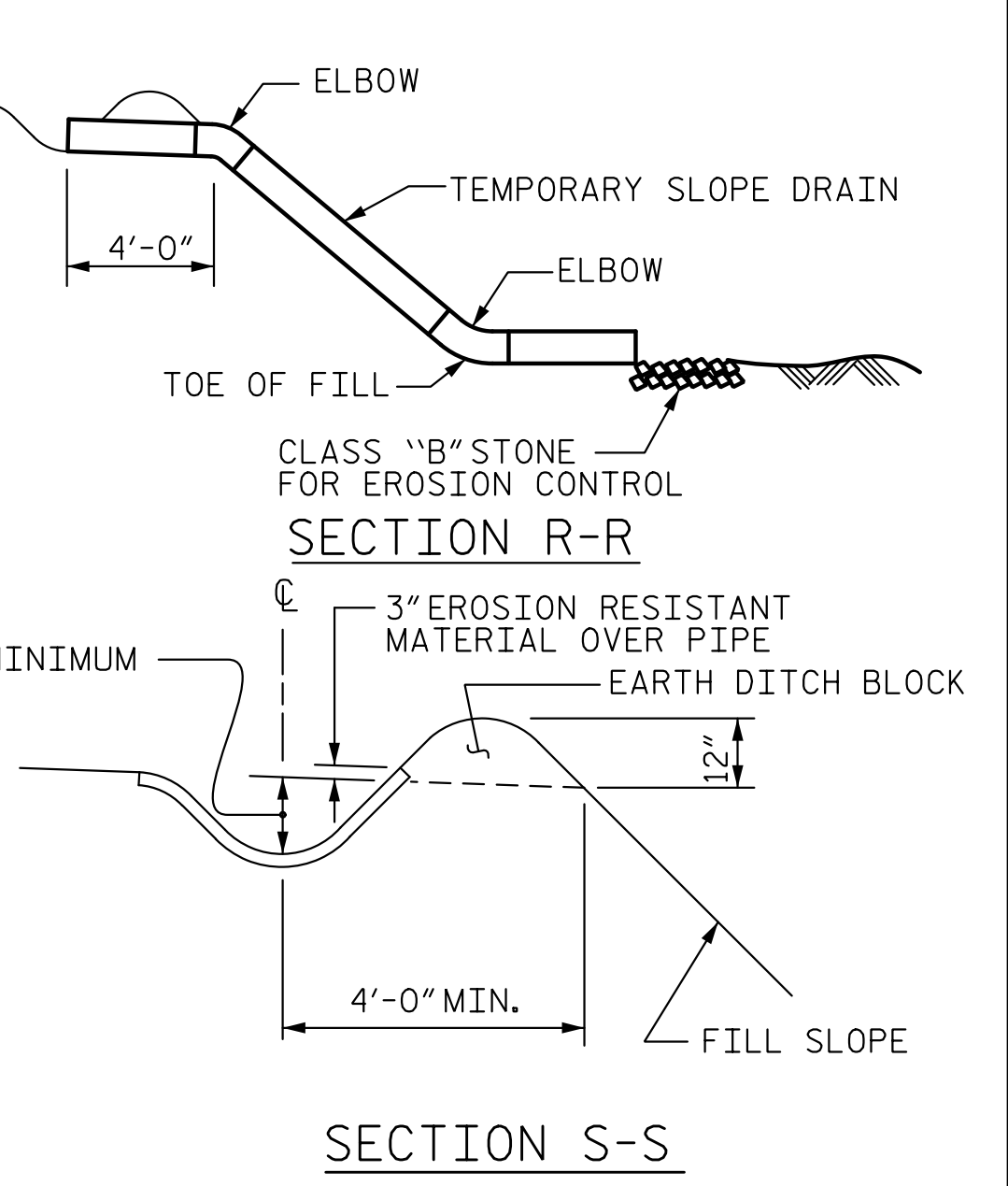
SECTION C-C  
FOAM JOINT SEAL  
(PRE-SAWED ELASTOMERIC  
CONCRETE DIMENSIONS)



SECTION C-C  
FOAM JOINT SEAL  
(EXPANSION)



TEMPORARY BERM AND SLOPE DRAIN DETAILS  
(TO BE USED WHEN SHOULDER BERM GUTTER IS REQUIRED)

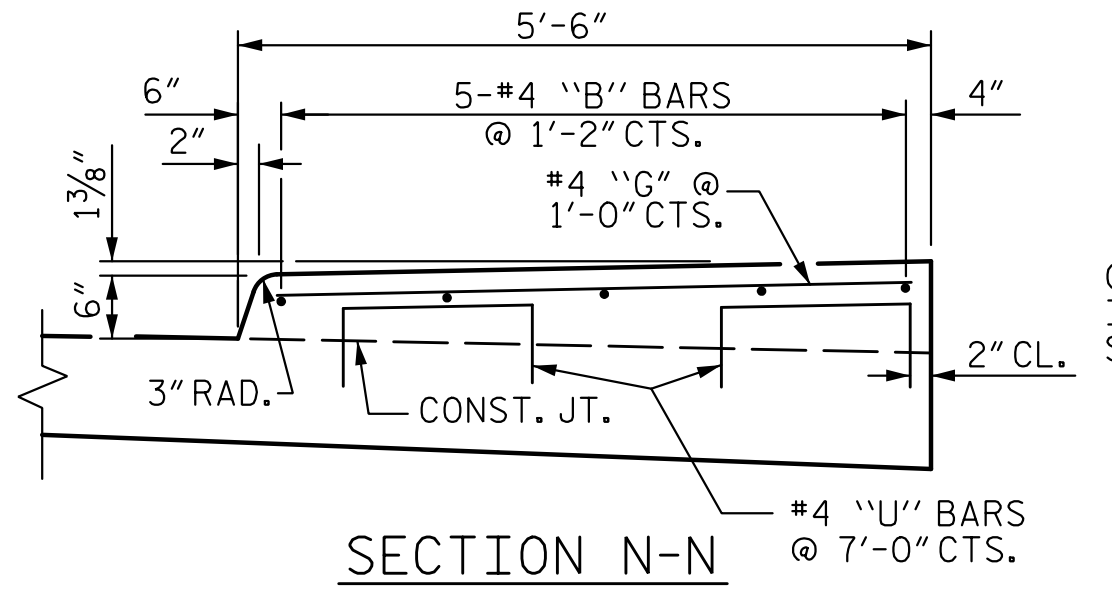


SECTION H-H

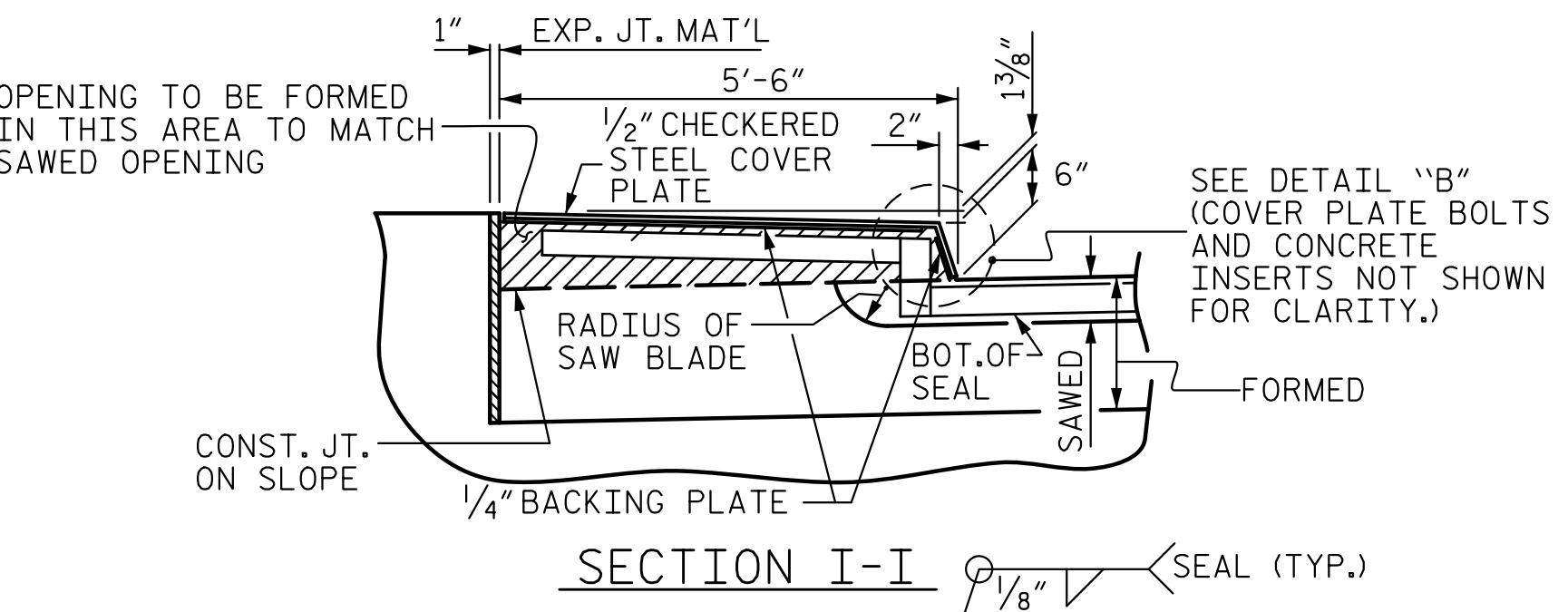
THE STEEL PLATES SHALL CONFORM TO AASHTO M270 GRADE 36 OR APPROVED EQUAL. AFTER FABRICATION, THE PLATES SHALL BE COMMERCIALY BLAST CLEANED AND EITHER COATED WITH A MINIMUM THICKNESS OF 4 MILS (DRY) OF ZINC-RICH PAINT, GALVANIZED OR METALLIZED TO A MINIMUM THICKNESS OF 6 MILS IN ACCORDANCE WITH THE STANDARD SPECIFICATIONS. FOR THERMAL SPRAYED COATINGS (METALLIZATION), SEE SPECIAL PROVISIONS.

THE 3/4" DIAMETER HEX HEAD BOLTS SHALL CONFORM TO ASTM F593 ALLOY 304 STAINLESS STEEL.

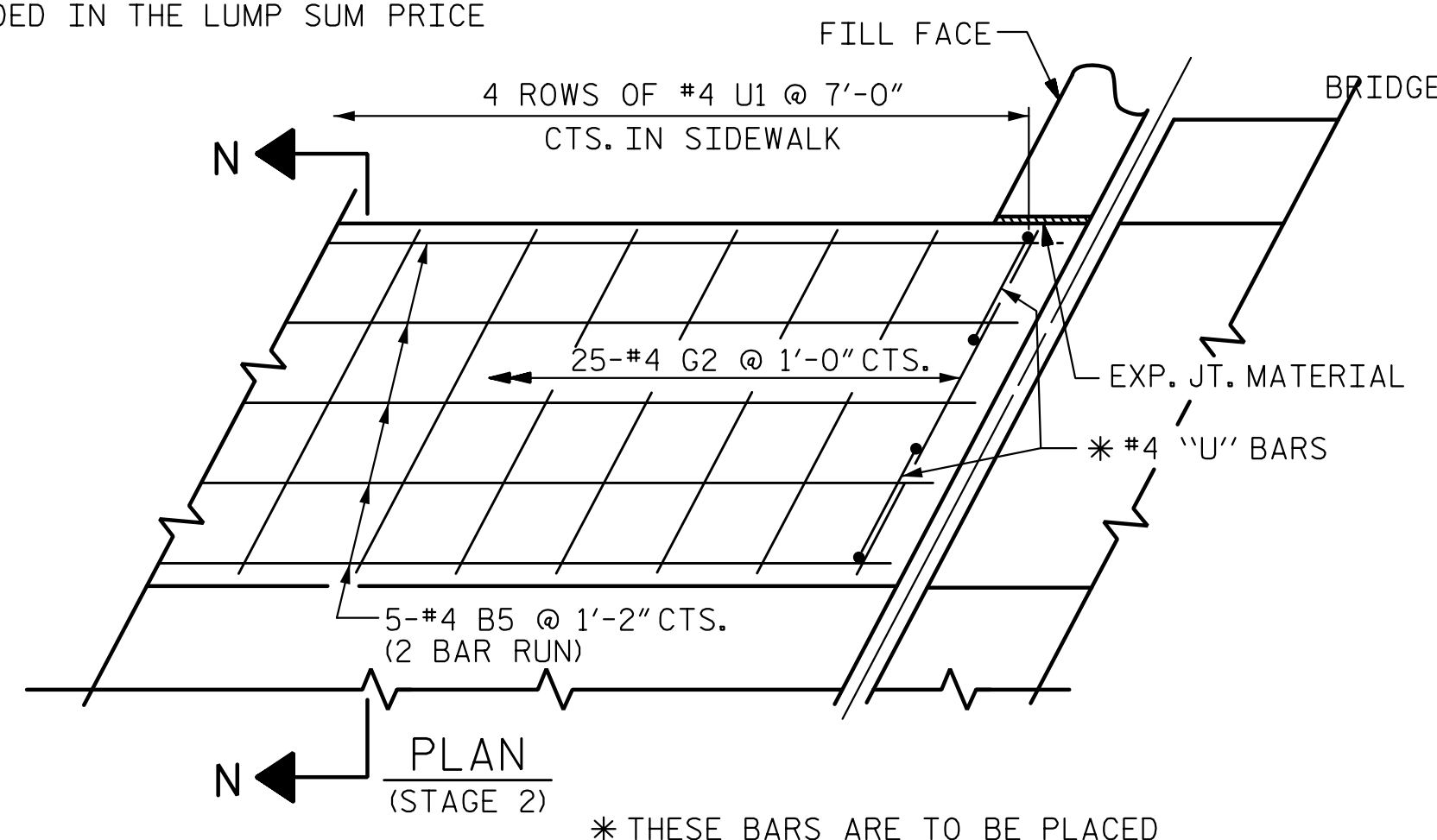
NO SEPARATE PAYMENT WILL BE MADE FOR FURNISHING AND INSTALLING THE COVER PLATE. THE ENTIRE COST OF THIS WORK SHALL BE INCLUDED IN THE LUMP SUM PRICE FOR "FOAM JOINT SEALS".



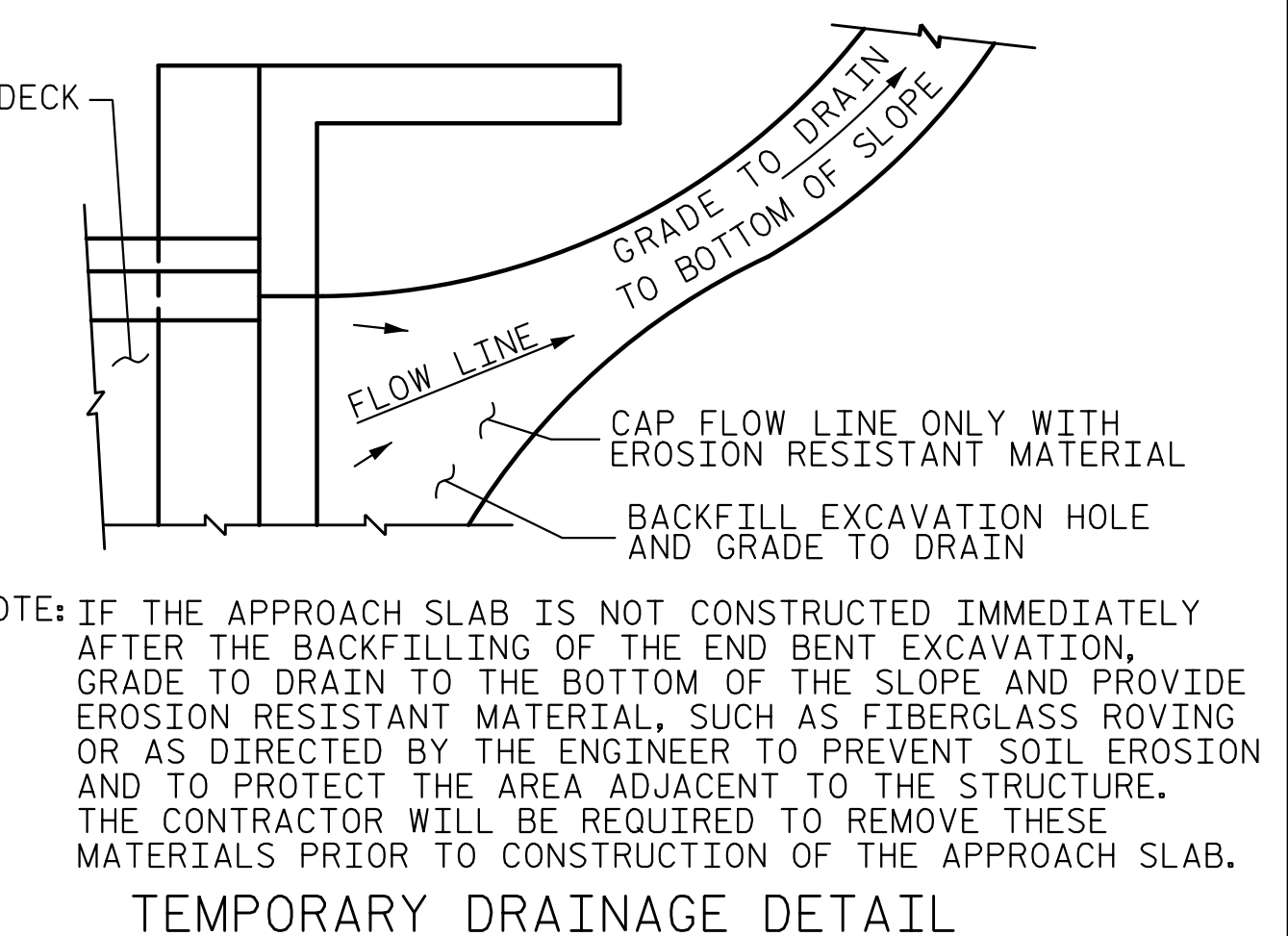
SECTION N-N  
SIDEWALK DETAILS



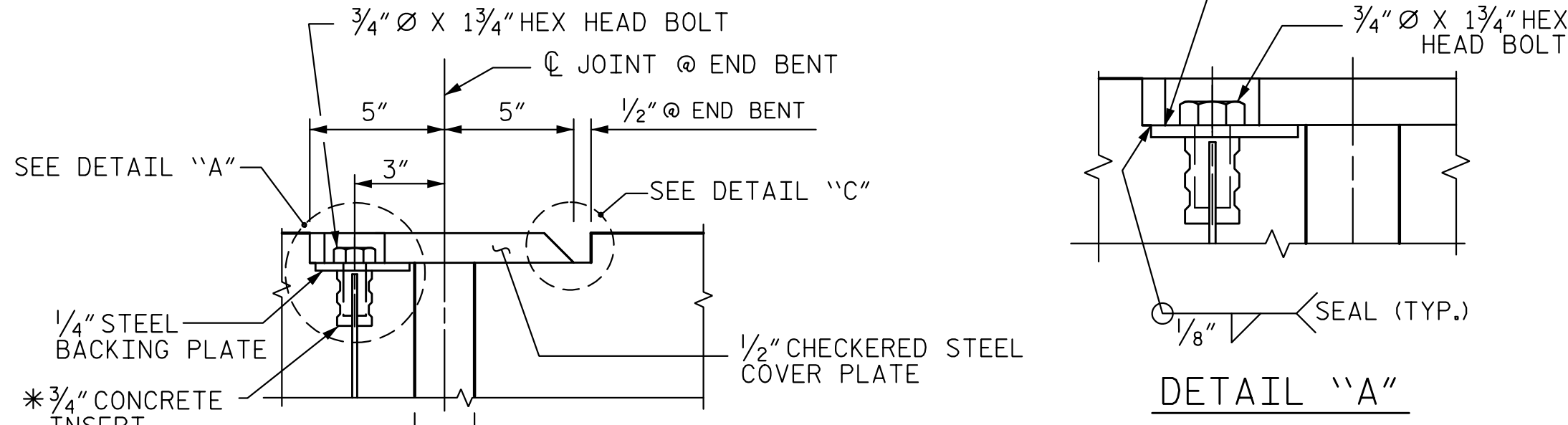
SECTION I-I



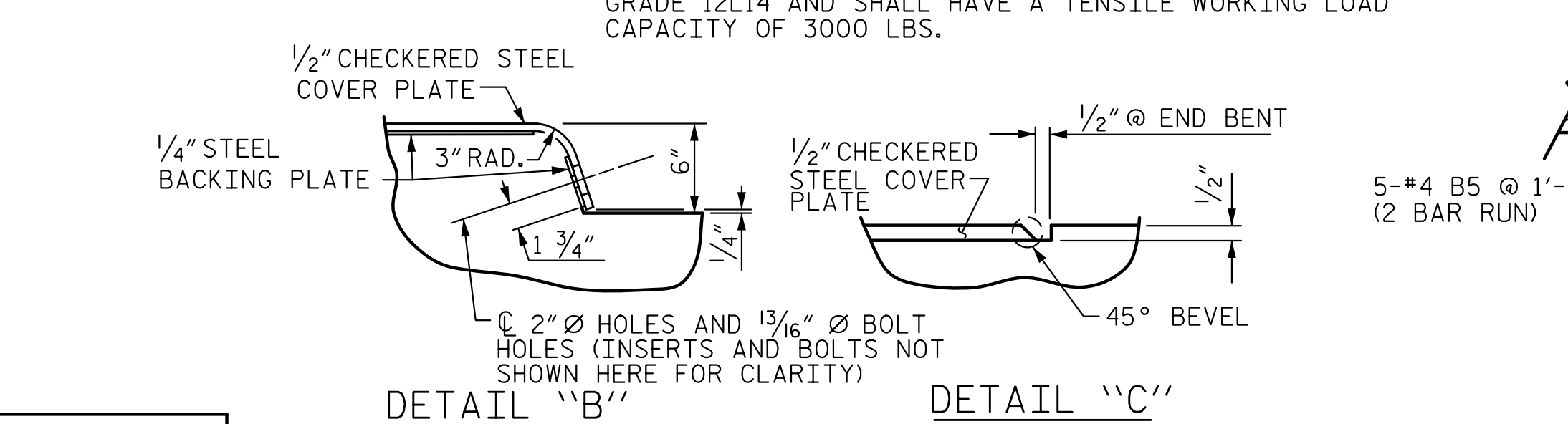
PLAN (STAGE 2)



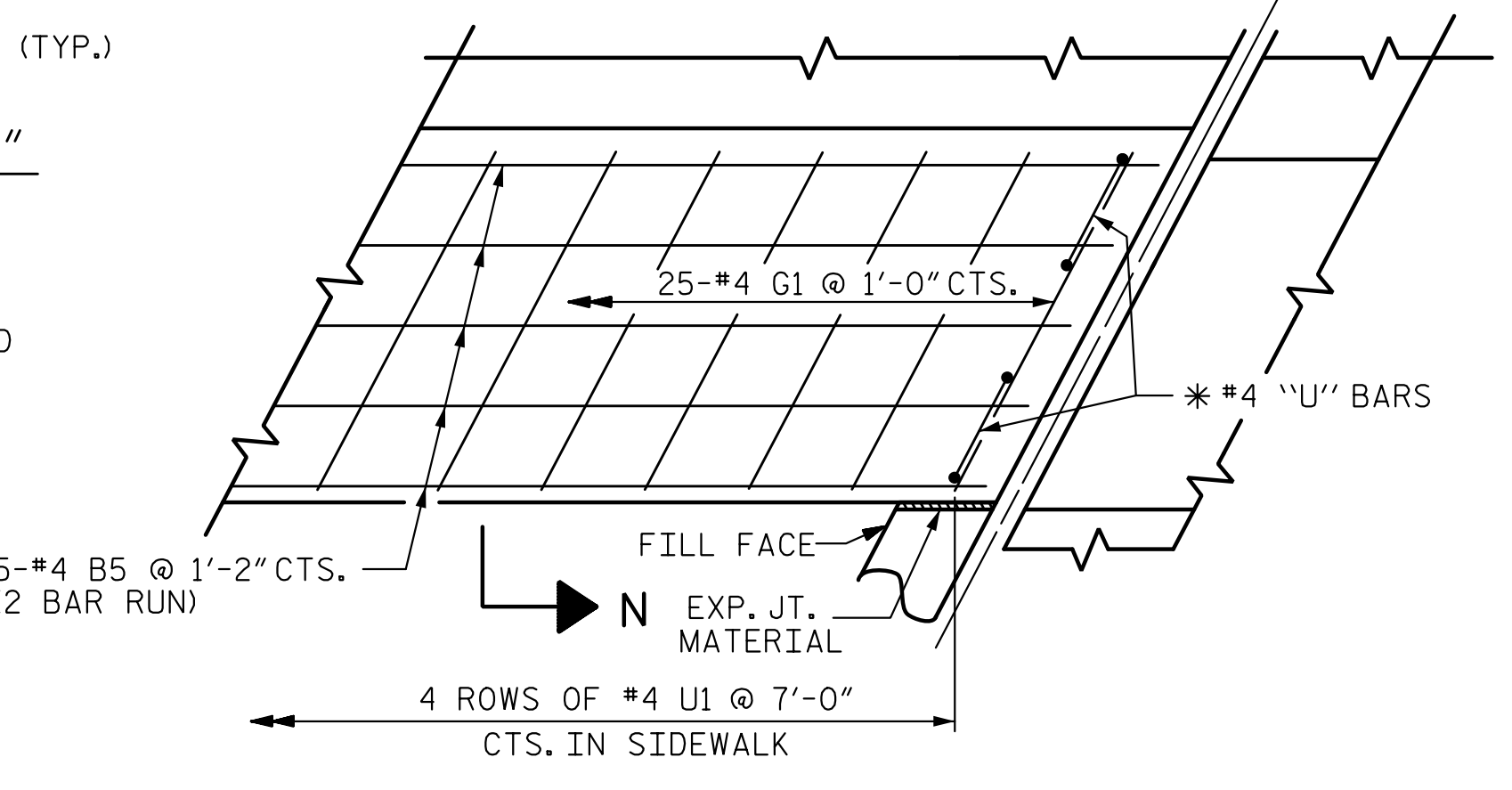
TEMPORARY DRAINAGE DETAIL



DETAIL "A"



DETAIL "B" and "C"  
JOINT SEAL DETAILS @ END BENT



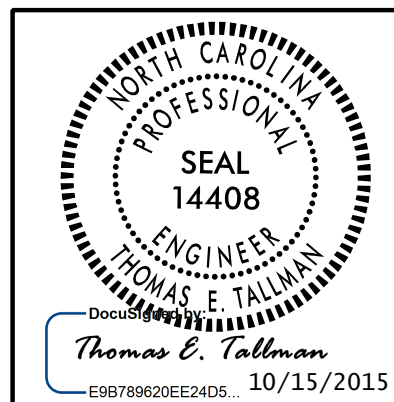
PLAN (STAGE 1)

ELASTOMERIC CONCRETE	
END BENT NO.	ELASTOMERIC CONCRETE * (CU. FT.)
1	8.1
2	6.6
TOTAL	14.7

\* BASED ON THE MINIMUM BLOCKOUT SHOWN.

DETAILS OF SIDEWALK ON APPROACH SLAB  
(END BENT 1 SHOWN, END BENT 2 SIMILAR)

ASSEMBLED BY : D. H. CARTER DATE SEP 2015  
CHECKED BY : K. M. MOBLEY DATE SEP 2015  
DRAWN BY : FCJ 11/88 REV. 10/11/11 MAA/GM  
CHECKED BY : ARB 11/88 REV. 7/12 MAA/GM  
REV. 6/13 MAA/GM



PROJECT NO. B-4159  
JACKSON COUNTY  
STATION: 20+16.00 -L-  
SHEET 3 OF 3

REVISIONS					
NO.	BY:	DATE:	NO.	BY:	DATE:
1			3		
2			4		

STATE OF NORTH CAROLINA  
DEPARTMENT OF TRANSPORTATION  
RALEIGH  
STANDARD  
BRIDGE APPROACH  
SLAB DETAILS  
SHEET NO. S-64  
TOTAL SHEETS 64