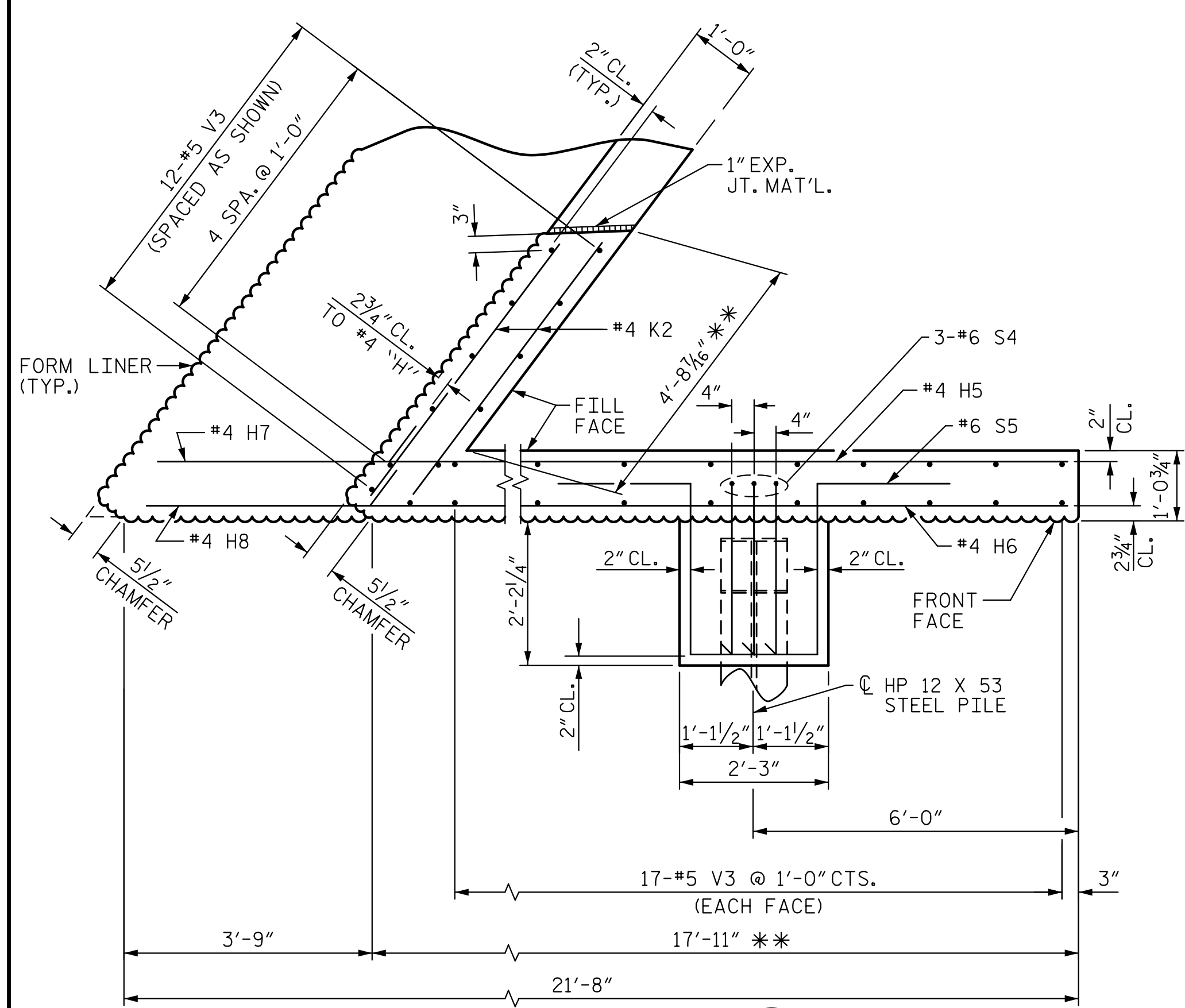
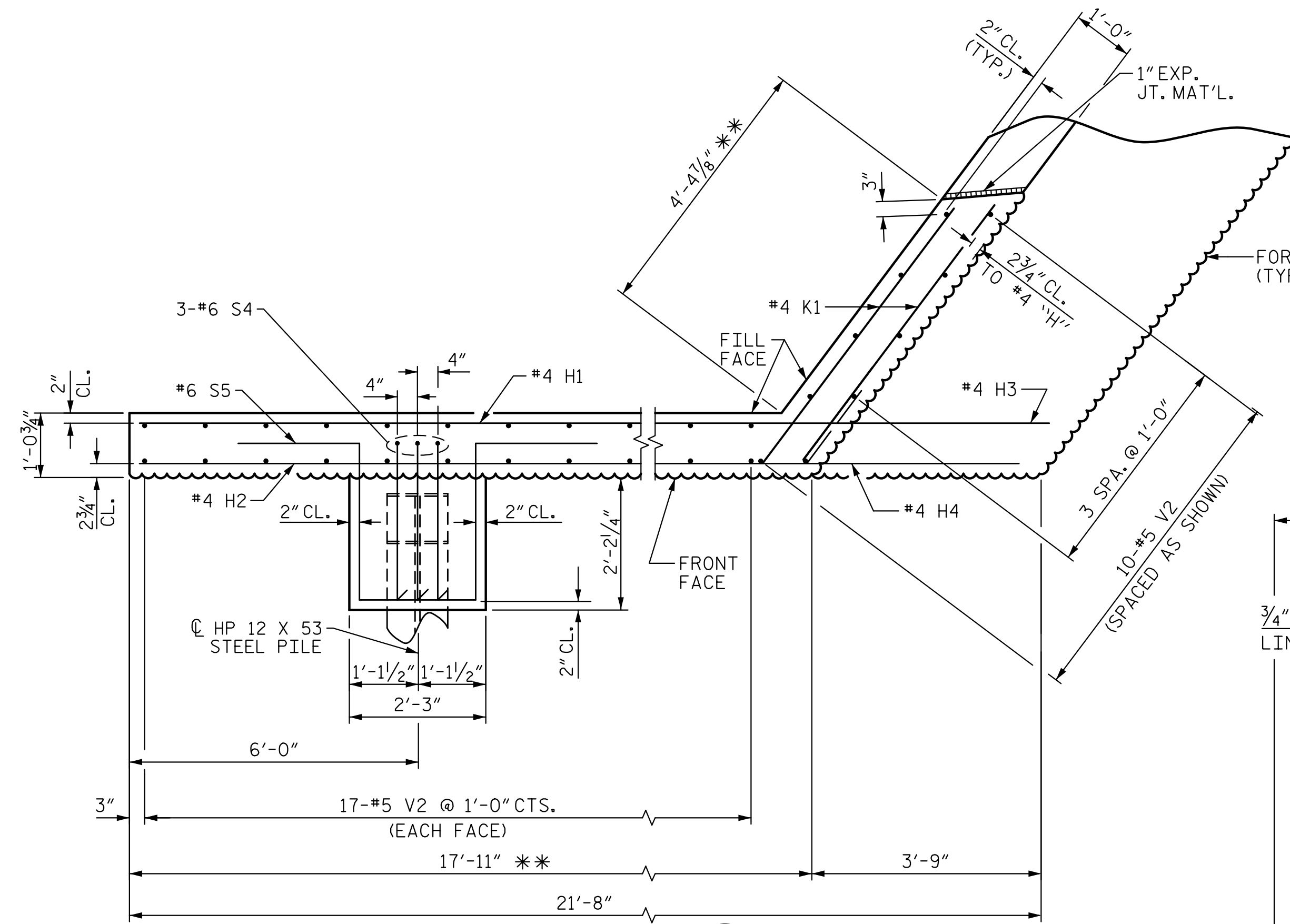


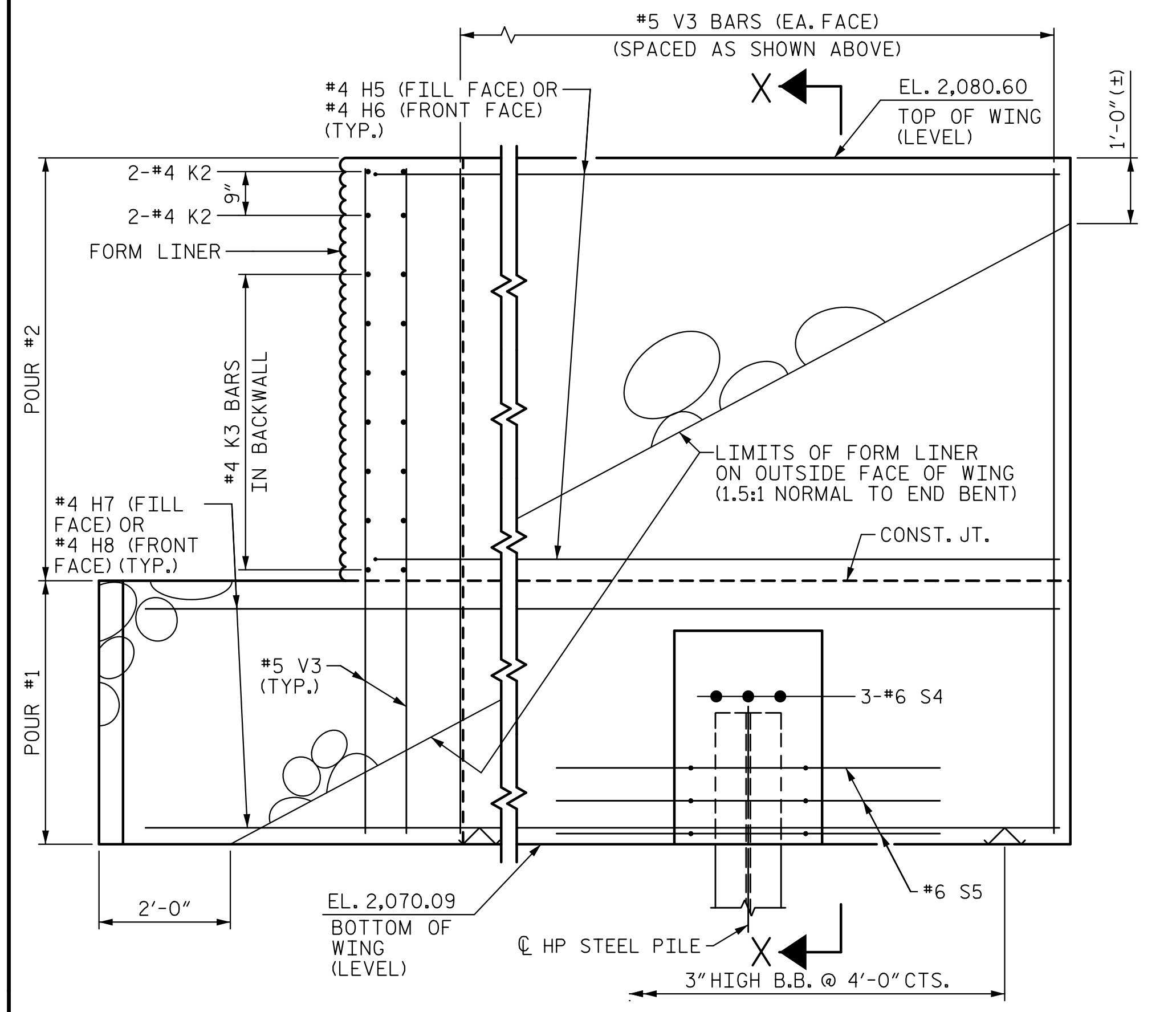
** STAIN TOP OF WING AND EXPOSED AREAS ABOVE FINISHED GRADE ON FILL FACE. SEE SPECIAL PROVISIONS FOR APPLICATION OF BRIDGE COATING.



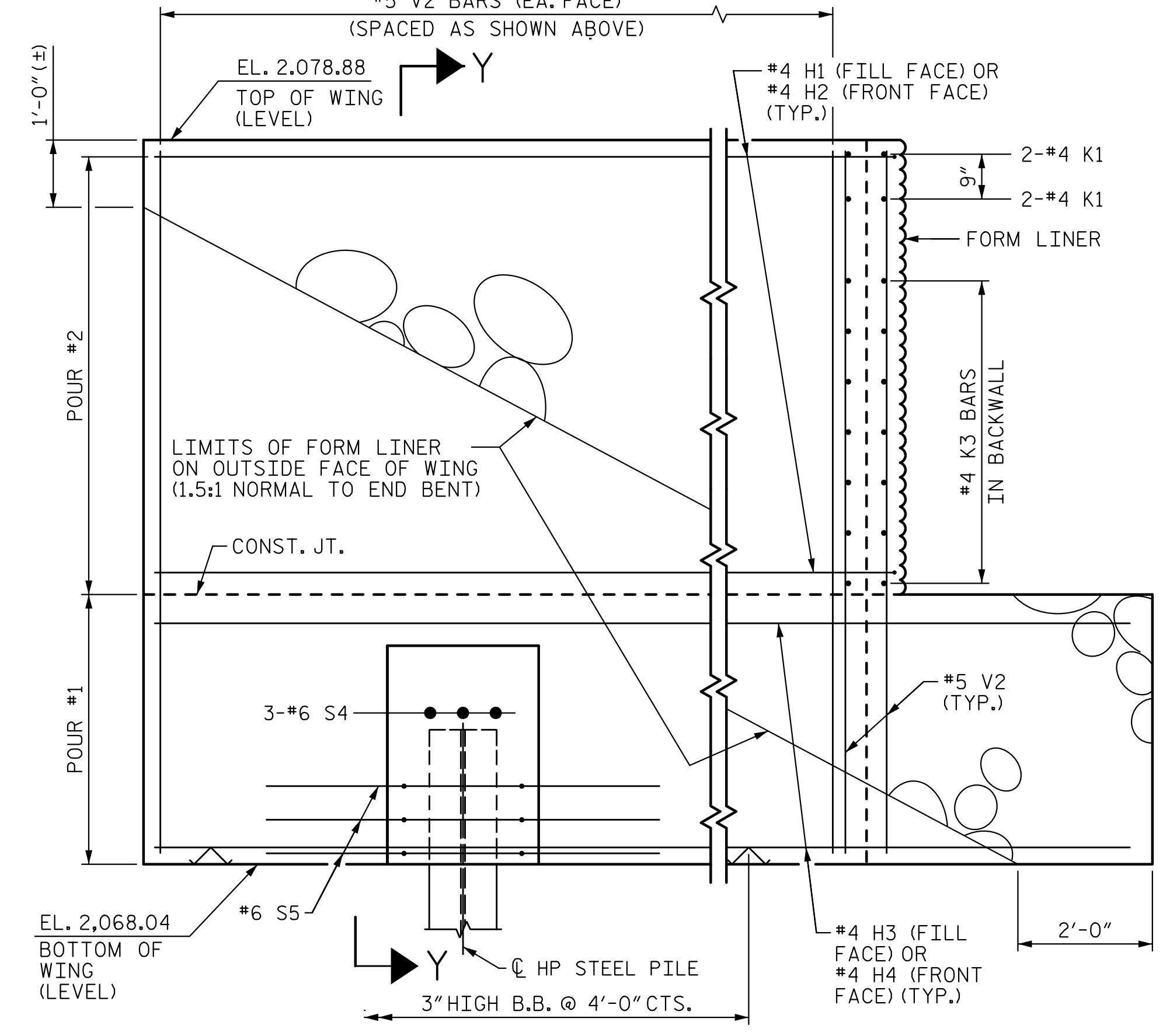
PLAN OF WING (W1)
(STAGE 2)



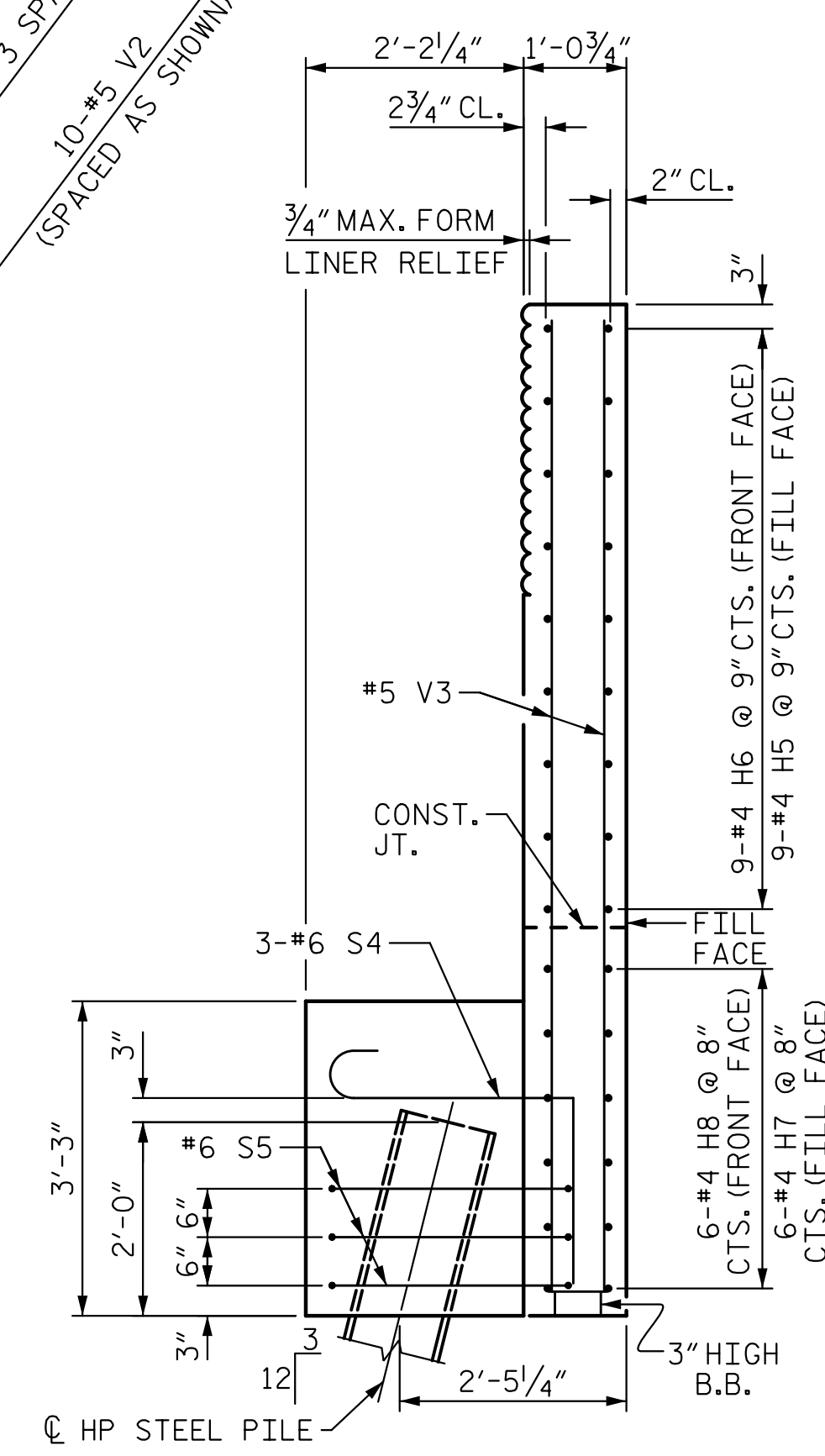
PLAN OF WING (W2)
(STAGE 1)



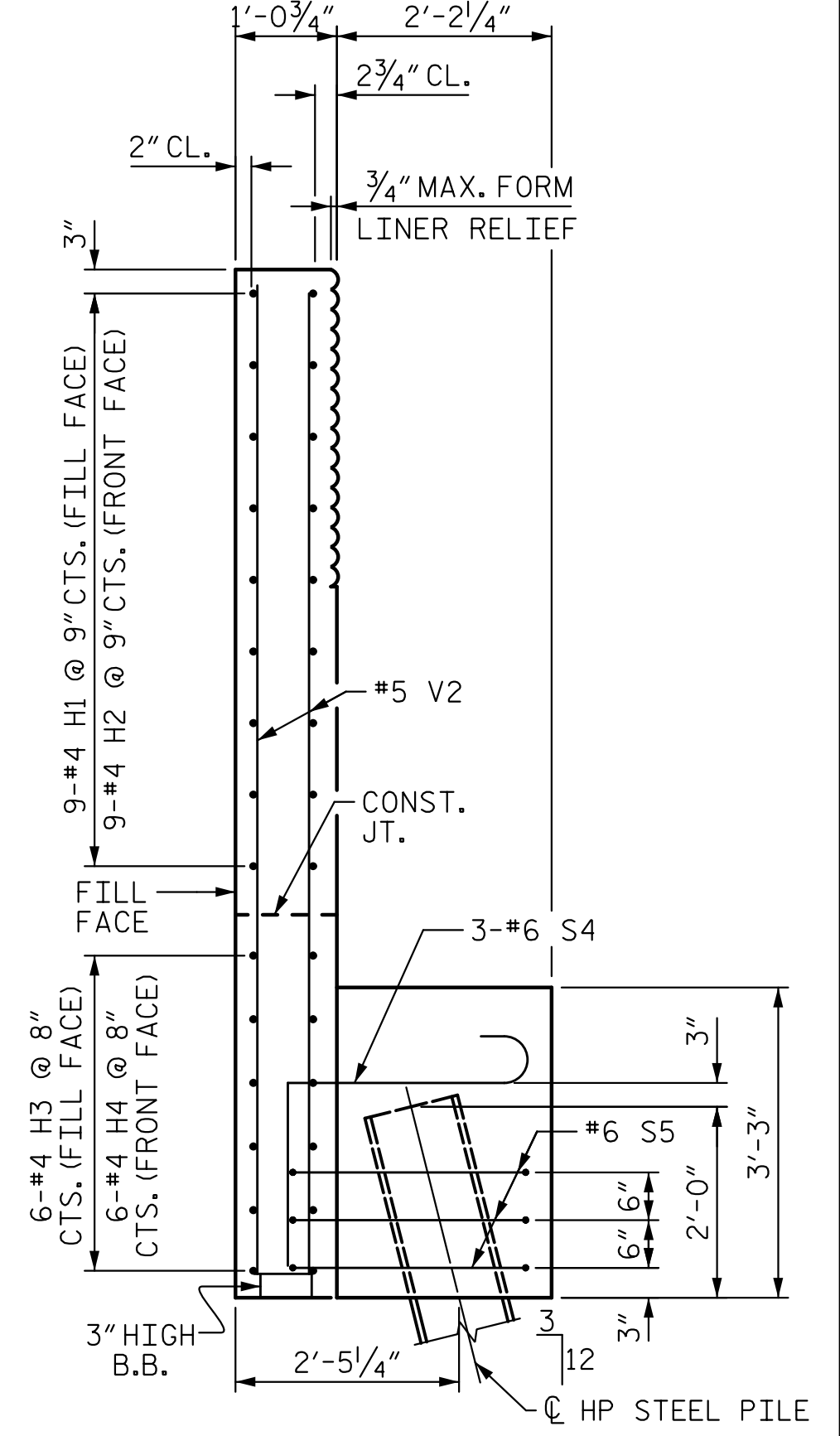
ELEVATION OF WING (W1)
(STAGE 2)



ELEVATION OF WING (W2)
(STAGE 1)



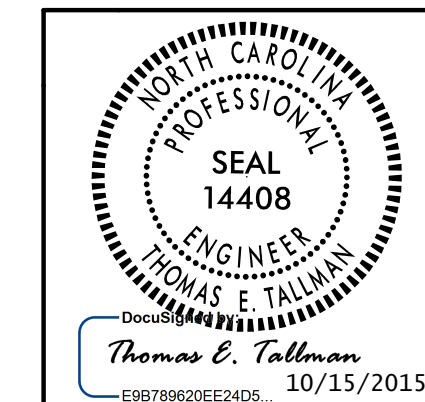
SECTION X-X



SECTION Y-Y

PROJECT NO. B-4159
JACKSON COUNTY
STATION: 20+16.00 -L-
SHEET 2 OF 4

STATE OF NORTH CAROLINA DEPARTMENT OF TRANSPORTATION RALEIGH					
SUBSTRUCTURE END BENT 1					
REVISIONS					
NO.	BY:	DATE:	NO.	BY:	DATE:
1			3		
2			4		
					SHEET NO. S-46 TOTAL SHEETS 64



10/14/2015 10:46:46 AM C:\Users\jcarter\Documents\B4159\sd\el_02.dgn

DRAWN BY: D. H. CARTER DATE: SEP 2015
CHECKED BY: K. M. MOBLEY/T. E. TALLMAN DATE: SEP 2015
DESIGN ENGINEER OF RECORD: T. E. TALLMAN DATE: OCT 2015