

0.6" Ø L. R. GRADE 270 STRANDS		
AREA (SQUARE INCHES)	ULTIMATE STRENGTH (LBS. PER STRAND)	APPLIED PRESTRESS (LBS. PER STRAND)
0.217	58,600	43,950

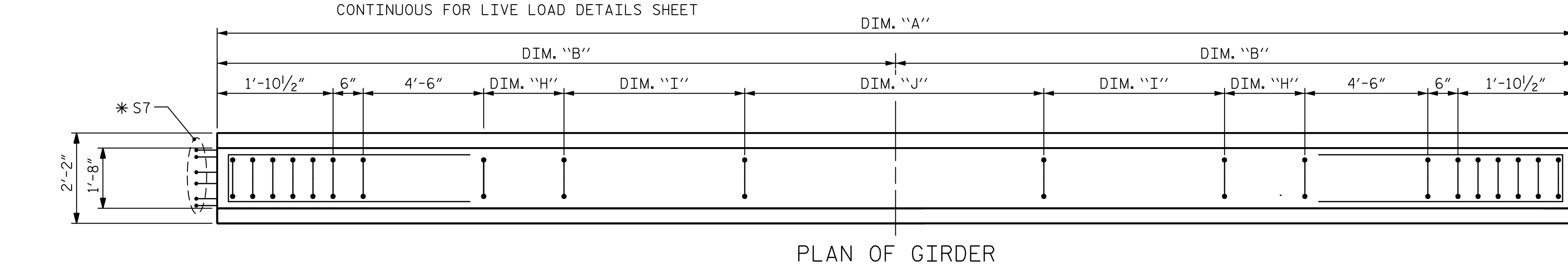
REINFORCING STEEL FOR ONE GIRDER					
BAR	NUMBER	SIZE	TYPE	LENGTH	WEIGHT
S1	84	#4	1	10'-10"	608
S2	12	#6	1	10'-10"	195
S3	4	#4	2	9'-1"	24
S4	64	#4	3	3'-5"	146
S5	6	#4	2	8'-5"	34
S6	1	#4	2	9'-11"	7
*S7	6	#5	STR	3'-8"	23
S8	4	#4	2	8'-7"	23
S9	1	#3	STR	1'-10"	1
S10	2	#5	2	8'-8"	18
S10	4	#5	2	8'-8"	36
S11	5	#4	STR	7'-0"	23
S12	5	#4	STR	11'-3"	38

\* NOTE: S7 BARS SHALL BE BENT BEFORE SHIPMENT. HEAT BENDING SHALL NOT BE ALLOWED.

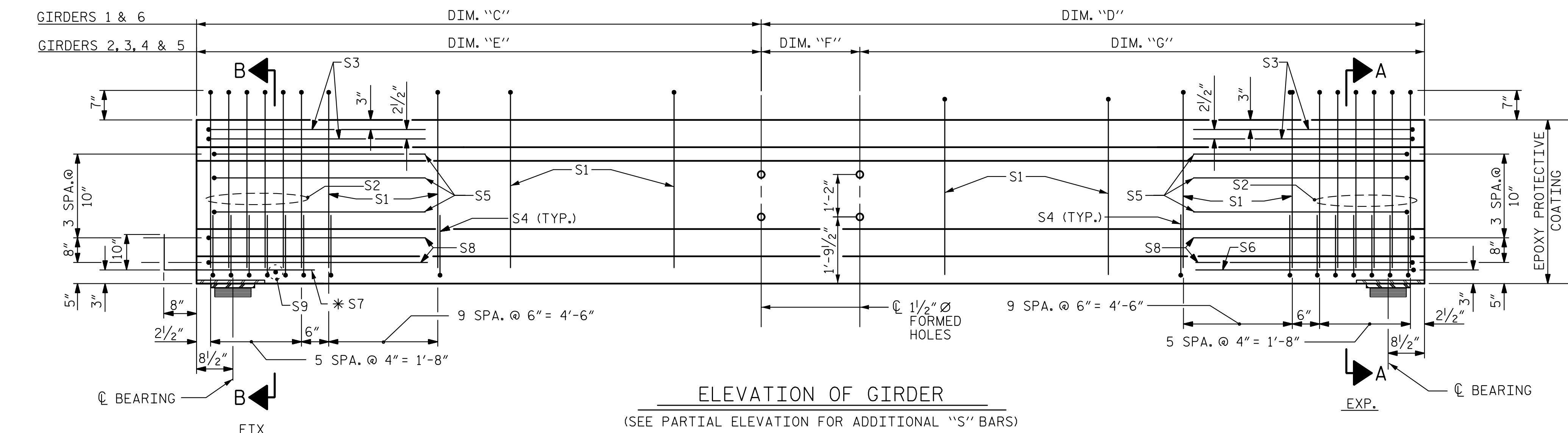
\*FOR S7 BARS, SEE DETAIL "A" OF PRESTRESSED CONCRETE GIRDER CONTINUOUS FOR LIVE LOAD DETAILS SHEET

- DEBONDING LEGEND**
- FULLY BONDED STRANDS
  - ▲ STRANDS DEBONDED FOR 6'-0" FROM END OF GIRDER
  - ⊙ STRANDS DEBONDED FOR 12'-0" FROM END OF GIRDER

AT END OF GIRDER  
0.6" Ø LOW RELAXATION STRAND LAYOUT

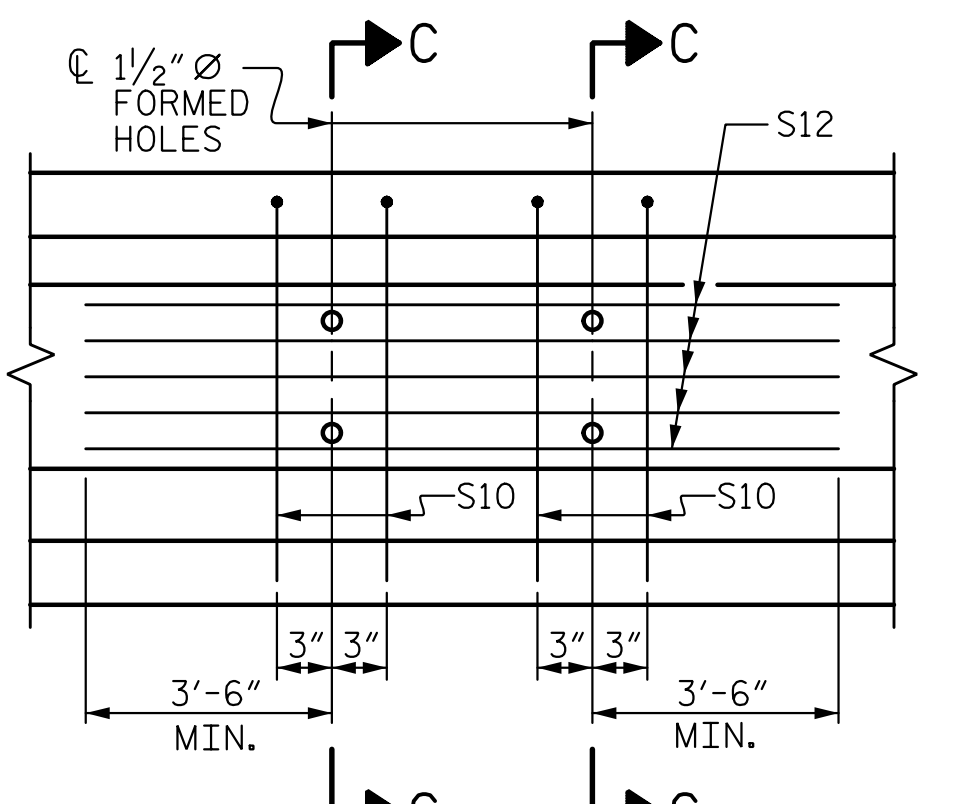


PLAN OF GIRDER

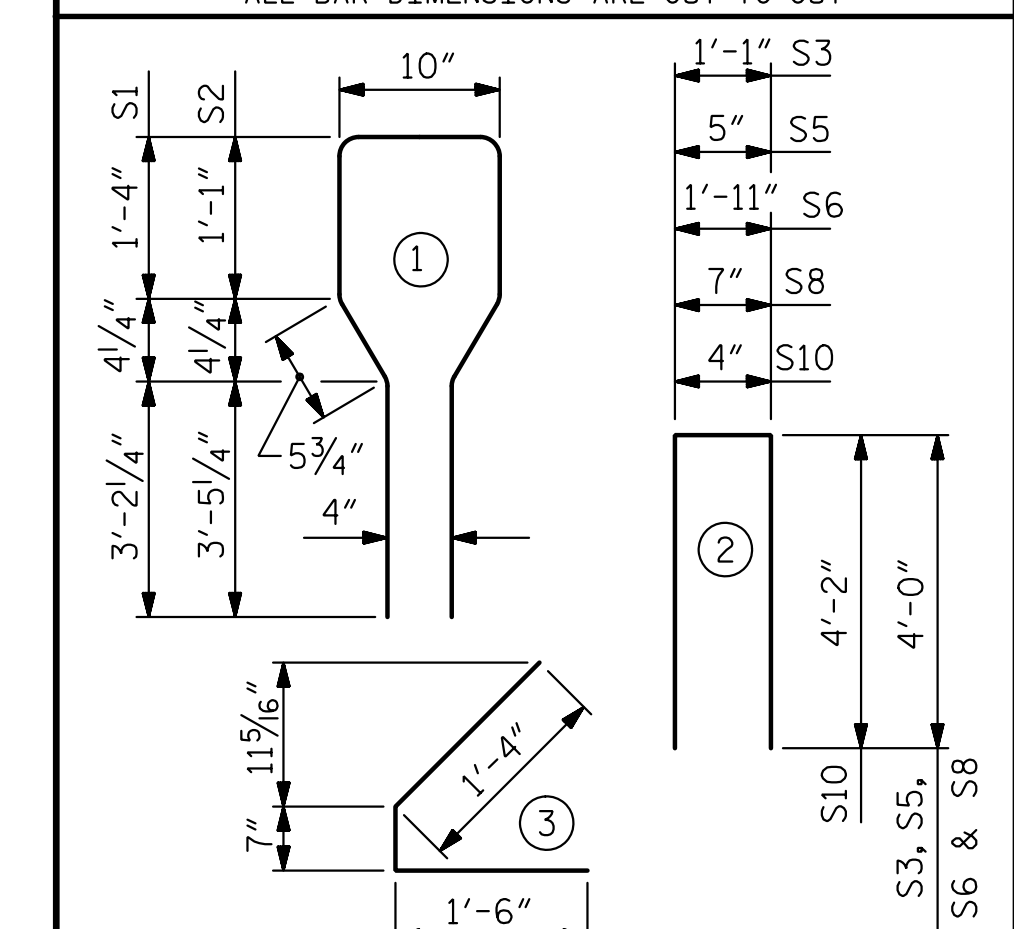


ELEVATION OF GIRDER

(SEE PARTIAL ELEVATION FOR ADDITIONAL "S" BARS)



PARTIAL ELEVATION  
SHOWING INTERMEDIATE DIAPHRAGM REINFORCING STEEL FOR GIRDER Nos. 2, 3, 4 & 5



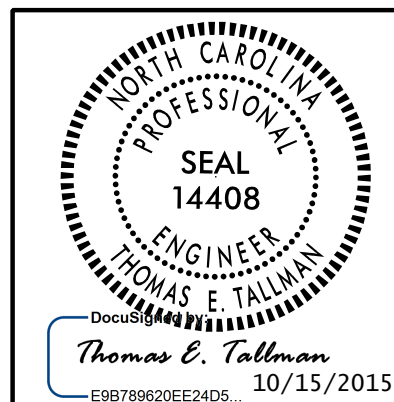
QUANTITIES FOR ONE GIRDER

GIRDERS REQUIRED			
	NUMBER	LENGTH	TOTAL LENGTH
STAGE 1	3	VARIES	292'-4 1/2"
STAGE 2	3	VARIES	290'-9 7/8"
TOTAL	6	-	583'-1 1/8"

GIRDER	REINFORCING STEEL	8500 PSI CONCRETE	0.6" Ø L. R. STRANDS
	LB.	C.Y.	No.
GDR. 1	1102	19.6	44
GDR. 2	1135	19.7	44
GDR. 3	1135	19.7	44
GDR. 4	1135	19.7	44
GDR. 5	1135	19.8	44
GDR. 6	1102	19.8	44

ASSEMBLED BY : D. H. CARTER DATE : SEP 2015  
 CHECKED BY : M. T. NEIHEISEL DATE : SEP 2015  
 DRAWN BY : ELR 8/91 REV. 10/17/00R RWW/LES  
 CHECKED BY : GRP 8/91 REV. 5/1/06R TLA/GM  
 REV. 10/1/11 MAA/GM

GIRDER	DIM. "A"	DIM. "B"	DIM. "C"	DIM. "D"	DIM. "E"	DIM. "F"	DIM. "G"	DIM. "H"	DIM. "I"	DIM. "J"
1	96'-9"	48'-4 1/2"	47'-7 3/8"	50'-1 5/8"				6"	22 SPA. @ 1'-0"	19 SPA. @ 2'-0"
2	96'-11"	48'-5 1/2"		46'-8 1/16"	3'-6 9/16"	46'-8 5/16"	7"	22 SPA. @ 1'-0"	19 SPA. @ 2'-0"	
3	97'-1 1/8"	48'-6 9/16"	50'-4"	46'-9 9/8"	47'-0 1/4"	3'-3 3/4"	46'-9 9/8"	8 1/16"	22 SPA. @ 1'-0"	19 SPA. @ 2'-0"
4	97'-2 7/8"	48'-7 7/16"	46'-6 5/16"	50'-8 9/16"	46'-6 5/16"	3'-7 3/8"	47'-1 13/16"	8 5/16"	22 SPA. @ 1'-0"	19 SPA. @ 2'-0"
5	97'-5 1/2"	48'-8 3/4"		46'-7 1/4"	4'-2 5/8"	46'-7 5/8"	10 1/4"	22 SPA. @ 1'-0"	19 SPA. @ 2'-0"	
6	97'-8 1/8"	48'-10 1/16"	50'-11 1/16"	46'-8 9/16"			11 9/16"	22 SPA. @ 1'-0"	19 SPA. @ 2'-0"	



PROJECT NO. B-4159  
 JACKSON COUNTY  
 STATION: 20+16.00 -L-  
 SHEET 3 OF 4

STATE OF NORTH CAROLINA  
 DEPARTMENT OF TRANSPORTATION  
 RALEIGH

STANDARD  
 AASHTO TYPE IV  
 PRESTRESSED CONCRETE GIRDER  
 CONTINUOUS FOR LIVE LOAD  
 SPAN "C"

REVISIONS					
NO.	BY:	DATE:	NO.	BY:	DATE:
1			3		
2			4		

SHEET NO. S-28  
 TOTAL SHEETS 64