

0.6" Ø L. R. GRADE 270 STRANDS

AREA (SQ. INCHES)	ULTIMATE STRENGTH (LBS. PER STRAND)	APPLIED PRESTRESS (LBS. PER STRAND)
0.217	58,600	43,950

REINFORCING STEEL FOR ONE GIRDER

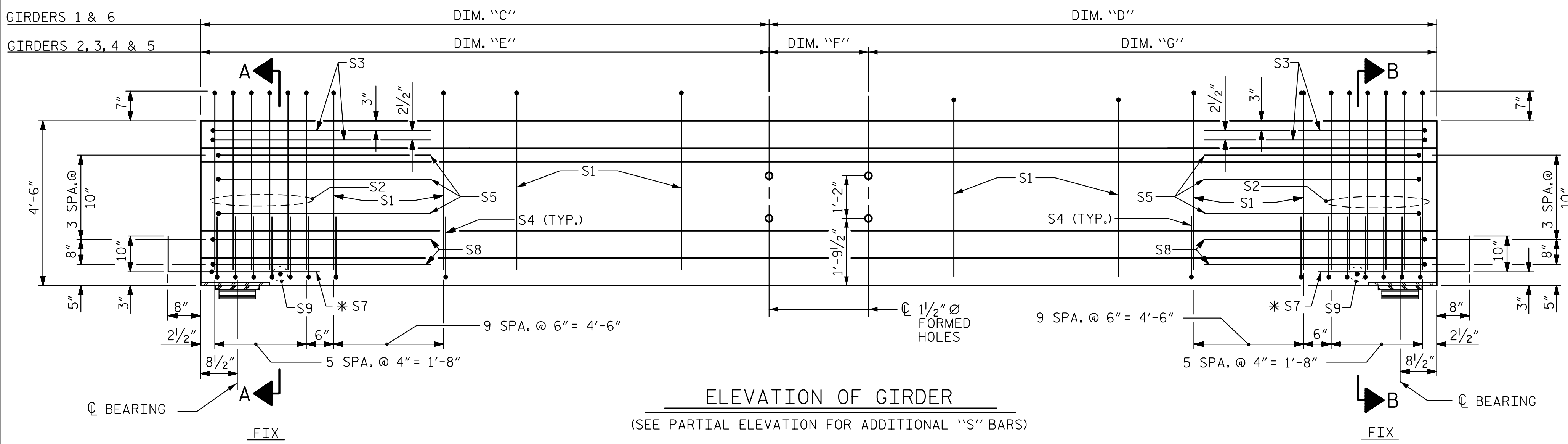
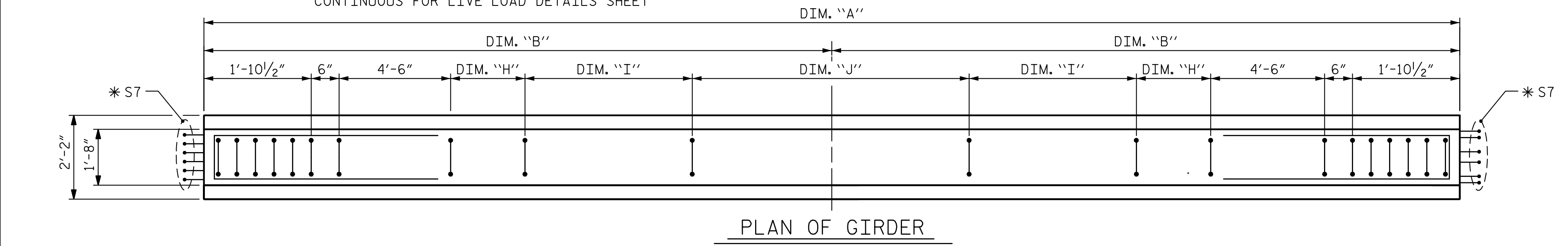
BAR	NUMBER	SIZE	TYPE	LENGTH	WEIGHT
S1	86	#4	1	10'-10"	622
S2	12	#6	1	10'-10"	195
S3	4	#4	2	9'-1"	24
S4	64	#4	3	3'-5"	146
S5	6	#4	2	8'-5"	34
*S7	12	#5	STR	3'-8"	46
S8	4	#4	2	8'-7"	23
S9	2	#3	STR	1'-10"	1
S10	2	#5	2	8'-8"	18
S10	4	#5	2	8'-8"	36
S11	5	#4	STR	7'-0"	23
S12	5	#4	STR	12'-9"	43

* NOTE: S7 BARS SHALL BE BENT BEFORE SHIPMENT. HEAT BENDING SHALL NOT BE ALLOWED.

BAR TYPES

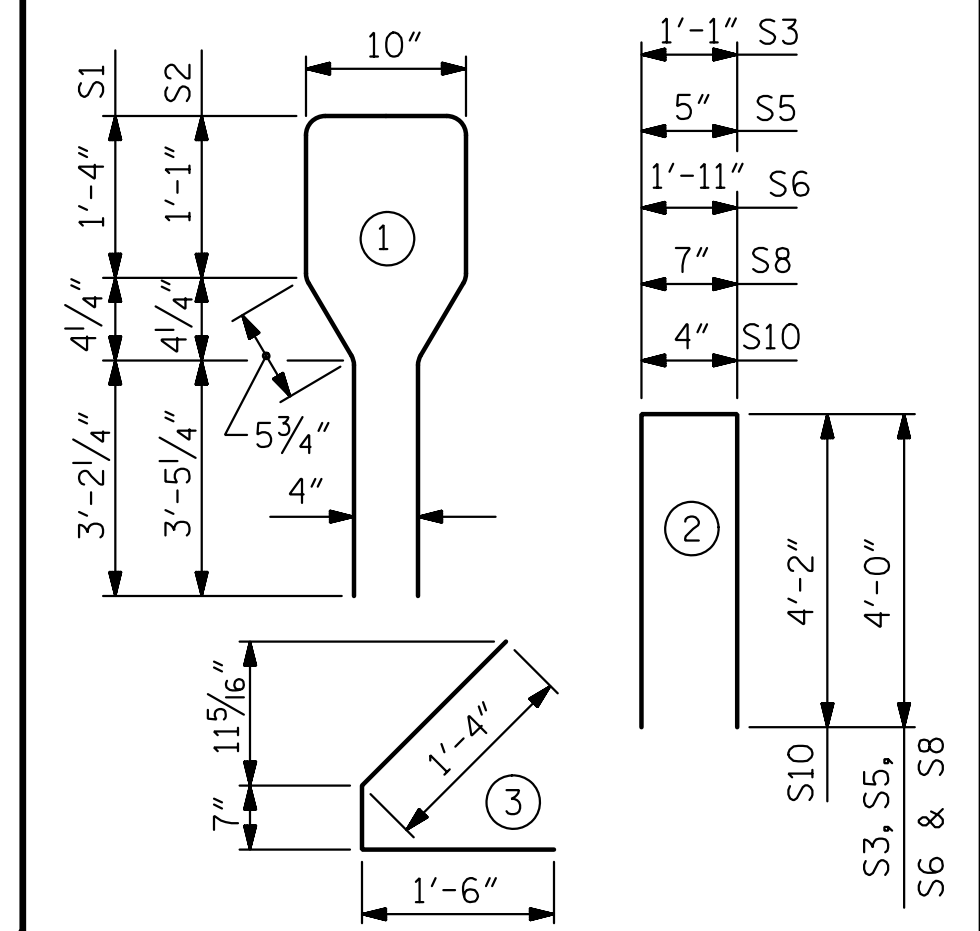
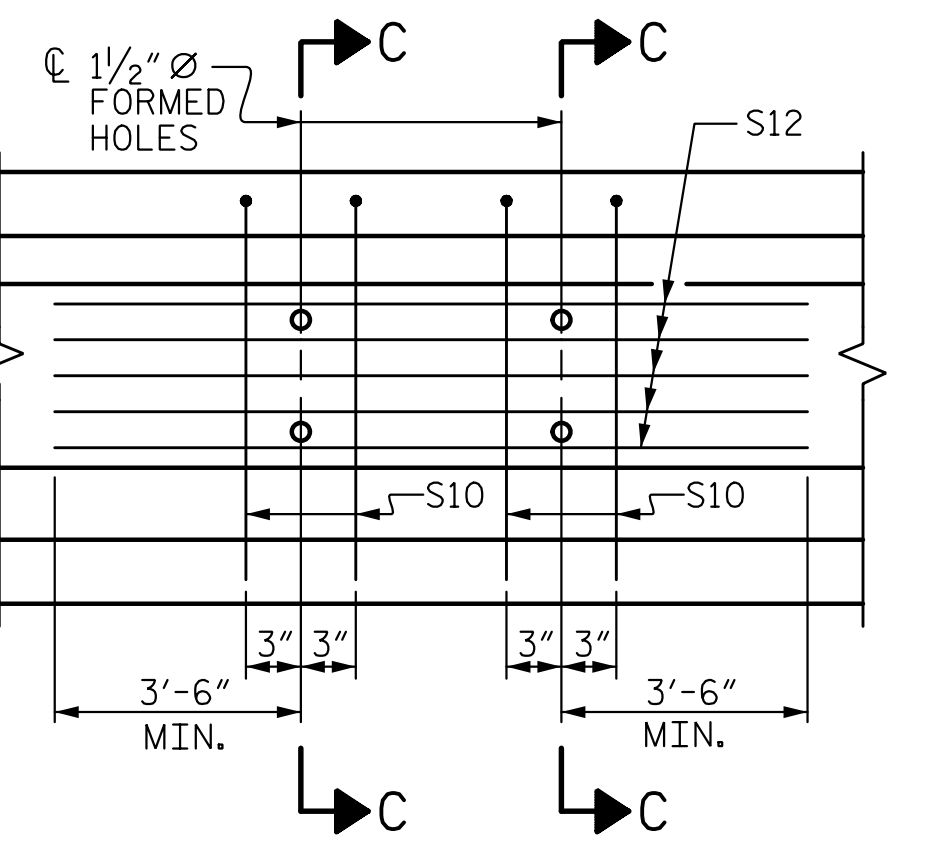
ALL BAR DIMENSIONS ARE OUT-TO-OUT

*FOR S7 BARS, SEE DETAIL "A" OF PRESTRESSED CONCRETE GIRDER CONTINUOUS FOR LIVE LOAD DETAILS SHEET



- DEBONDING LEGEND**
- FULLY BONDED STRANDS
 - ▲ STRANDS DEBONDED FOR 6'-0" FROM END OF GIRDER
 - ⊙ STRANDS DEBONDED FOR 12'-0" FROM END OF GIRDER

AT END OF GIRDER
0.6" Ø LOW RELAXATION STRAND LAYOUT



REINFORCING STEEL FOR GIRDER Nos. 2, 3, 4 & 5

GIRDERS REQUIRED

	NUMBER	LENGTH	TOTAL LENGTH
STAGE 1	3	VARIABLES	297'-11 1/8"
STAGE 2	3	VARIABLES	294'-11 1/8"
TOTAL	6	-	592'-11 1/4"

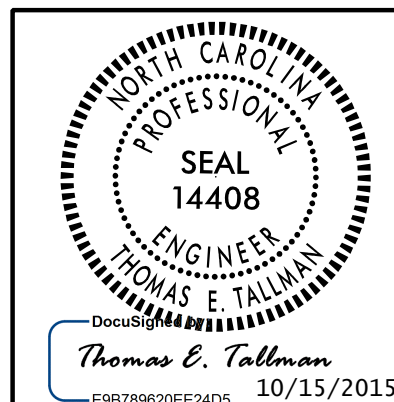
QUANTITIES FOR ONE GIRDER

	REINFORCING STEEL LB.	8500 PSI CONCRETE C.Y.	0.6" Ø L. R. STRANDS No.
GDR. 1	1132	19.9	44
GDR. 2	1170	20.0	44
GDR. 3	1170	20.0	44
GDR. 4	1170	20.1	44
GDR. 5	1170	20.2	44
GDR. 6	1132	20.2	44

PROJECT NO. B-4159
JACKSON COUNTY
 STATION: 20+16.00 -L-
 SHEET 2 OF 4

GIRDER	DIM. "A"	DIM. "B"	DIM. "C"	DIM. "D"	DIM. "E"	DIM. "F"	DIM. "G"	DIM. "H"	DIM. "I"	DIM. "J"
1	98'-0"	49'-0"	46'-7 1/2"	51'-4 1/2"				1 1/2"	23 SPA. @ 1'-0"	19 SPA. @ 2'-0"
2	98'-3 3/4"	49'-1 7/8"			46'-9"	4'-9 7/16"	46'-9 5/16"	3 3/8"	23 SPA. @ 1'-0"	19 SPA. @ 2'-0"
3	98'-7 5/8"	49'-3 13/16"	51'-8 3/4"	46'-10 7/8"	47'-3 1/8"	4'-5 5/8"	46'-10 7/8"	5 5/16"	23 SPA. @ 1'-0"	19 SPA. @ 2'-0"
4	98'-11"	49'-5 1/2"	47'-7 7/16"	52'-3 9/16"	46'-7 1/2"	4'-10 3/4"	47'-4 3/4"	7"	23 SPA. @ 1'-0"	19 SPA. @ 2'-0"
5	99'-3 7/8"	49'-7 15/16"			46'-9 3/8"	5'-8 5/8"	46'-9 7/8"	9 7/16"	23 SPA. @ 1'-0"	19 SPA. @ 2'-0"
6	99'-9"	49'-10 1/2"	52'-9 1/16"	46'-11 15/16"				1'-0"	23 SPA. @ 1'-0"	19 SPA. @ 2'-0"

ASSEMBLED BY : D. H. CARTER DATE : SEP 2015
 CHECKED BY : M. T. NEIHEISEL DATE : SEP 2015
 DRAWN BY : ELR 8/91 REV. 10/17/00R RWW/LES
 CHECKED BY : GRP 8/91 REV. 5/1/06R TLA/GM
 REV. 10/1/11 MAA/GM



STATE OF NORTH CAROLINA
 DEPARTMENT OF TRANSPORTATION
 RALEIGH

STANDARD
 AASHTO TYPE IV
 PRESTRESSED CONCRETE GIRDER
 CONTINUOUS FOR LIVE LOAD
 SPAN "B"

REVISIONS

NO.	BY:	DATE:	NO.	BY:	DATE:
1			3		
2			4		

SHEET NO. S-27
 TOTAL SHEETS 64