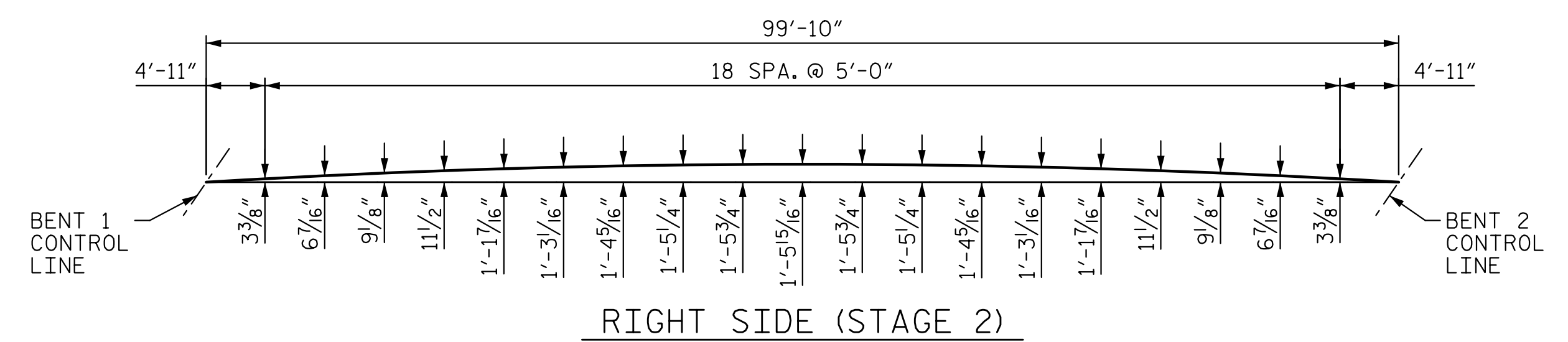
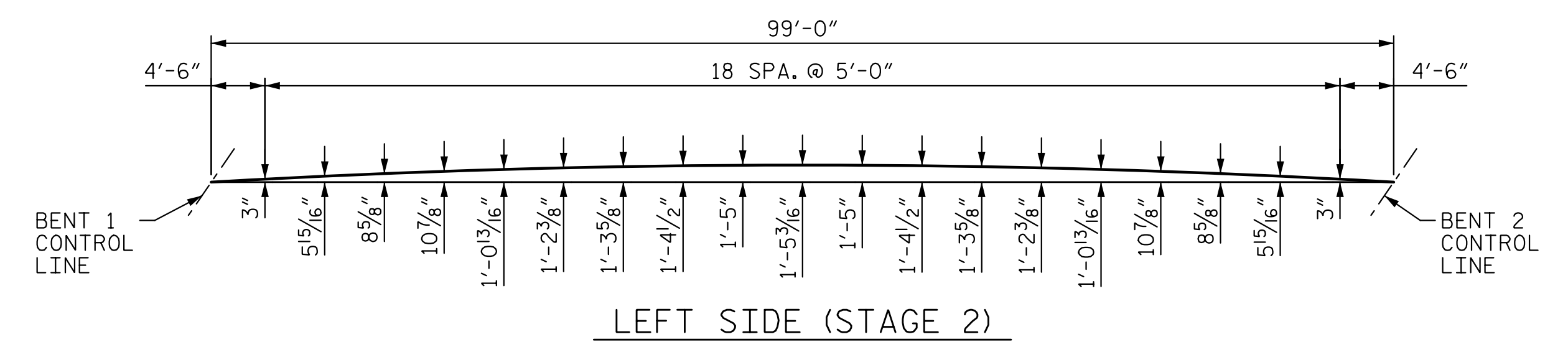
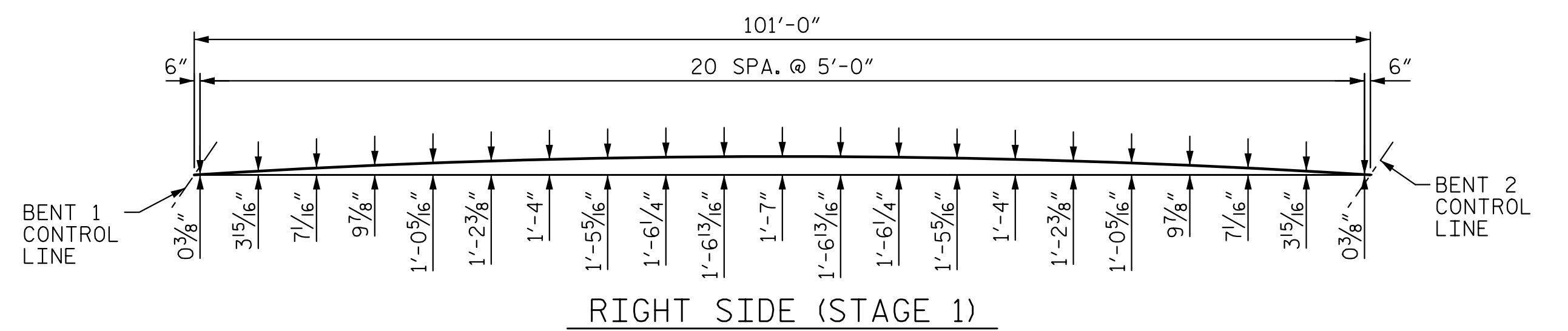
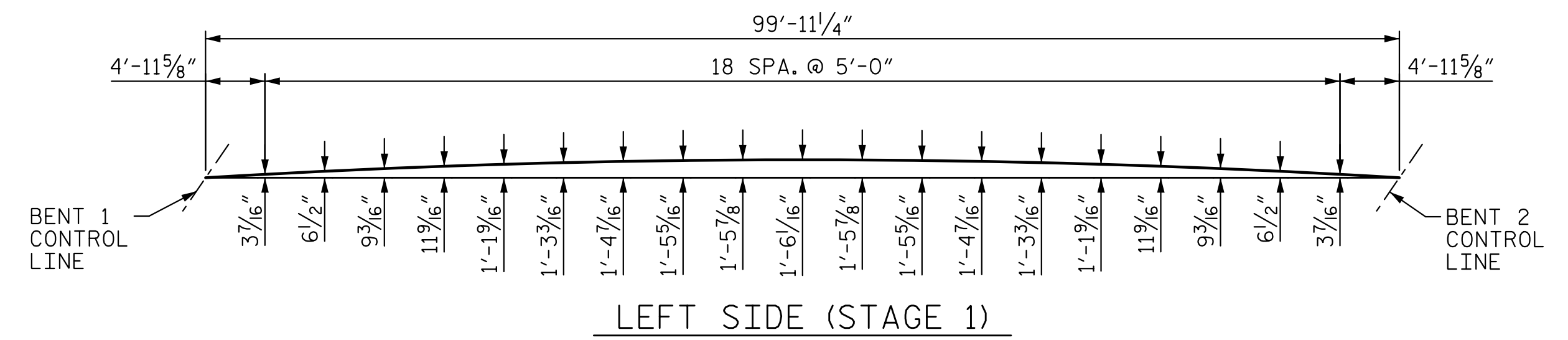


ARC OFFSETS - SPAN "A"



ARC OFFSETS - SPAN "B"

PROJECT NO. B-4159

JACKSON COUNTY

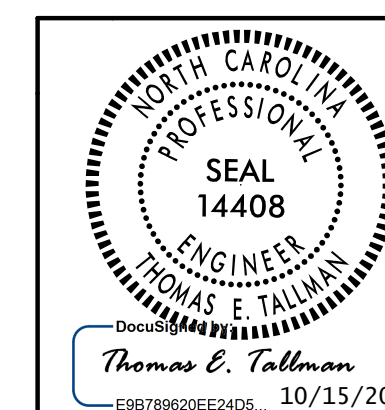
STATION: 20+16.00 -L-

SHEET 1 OF 2

STATE OF NORTH CAROLINA
DEPARTMENT OF TRANSPORTATION
RALEIGH

SUPERSTRUCTURE
ARC OFFSETS
SPANS "A" & "B"

REVISIONS						SHEET NO. S-21
NO.	BY:	DATE:	NO.	BY:	DATE:	
1			3			TOTAL SHEETS 64
2			4			



5121 Kingdom Way, Suite 100 Raleigh, NC 27607
NC License No. P-0295

10/14/2015
C:\engine\p\21-b4159.sd.oc_01.dgn
ICA Engineering, Inc.

DRAWN BY: D. H. CARTER DATE: SEP 2015
CHECKED BY: K. M. MOBLEY DATE: SEP 2015
DESIGN ENGINEER OF RECORD: T. E. TALLMAN DATE: OCT 2015