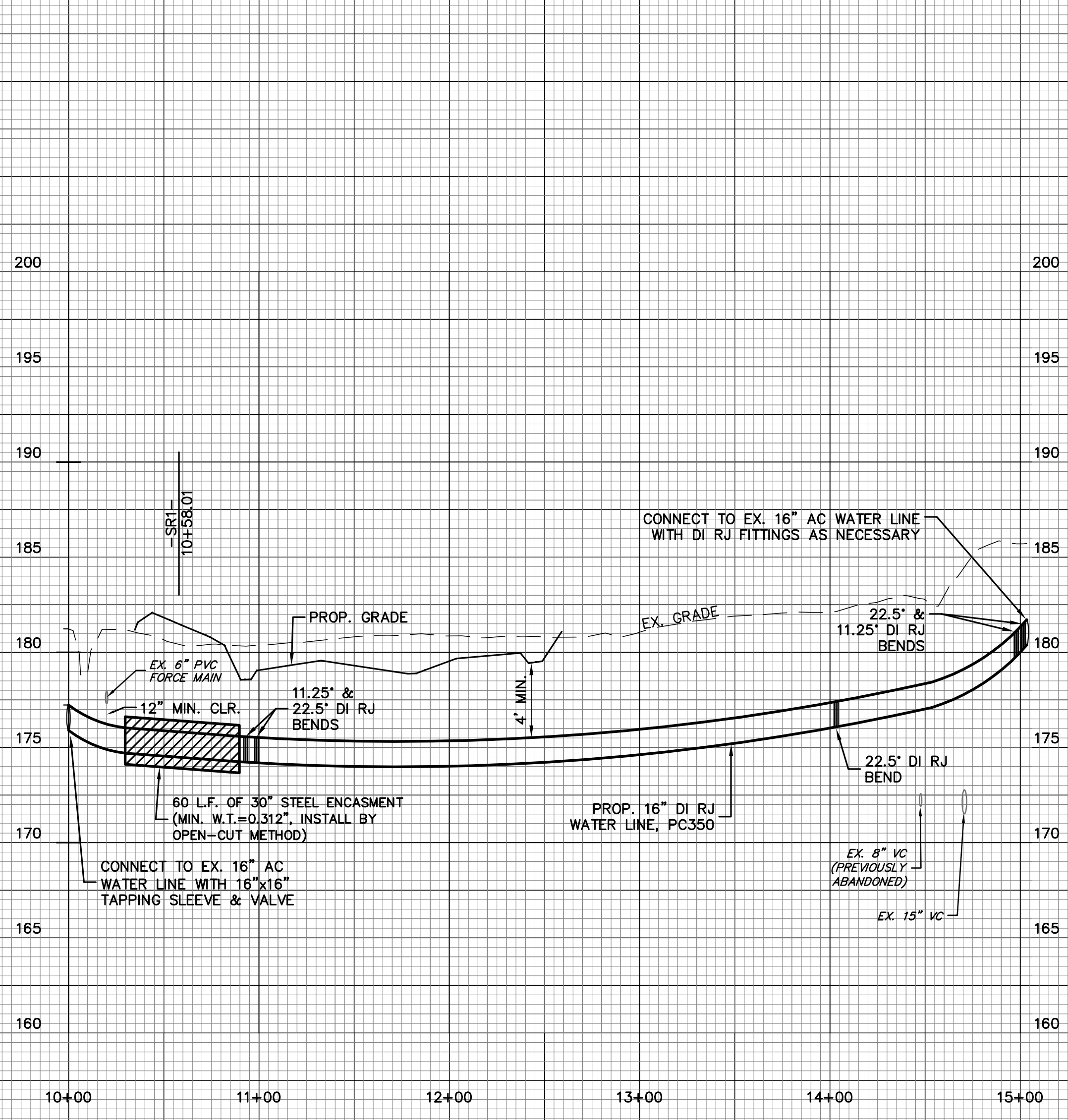
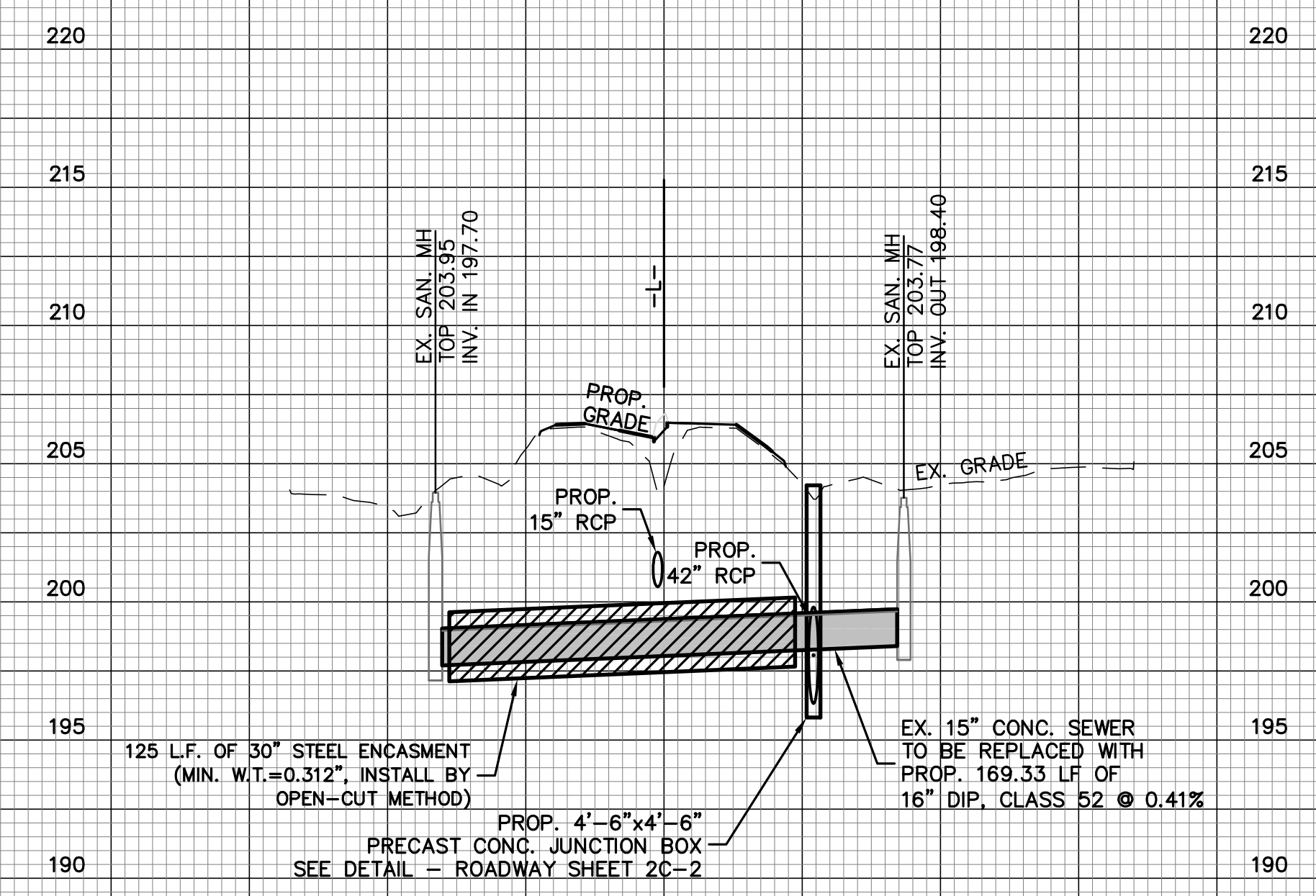


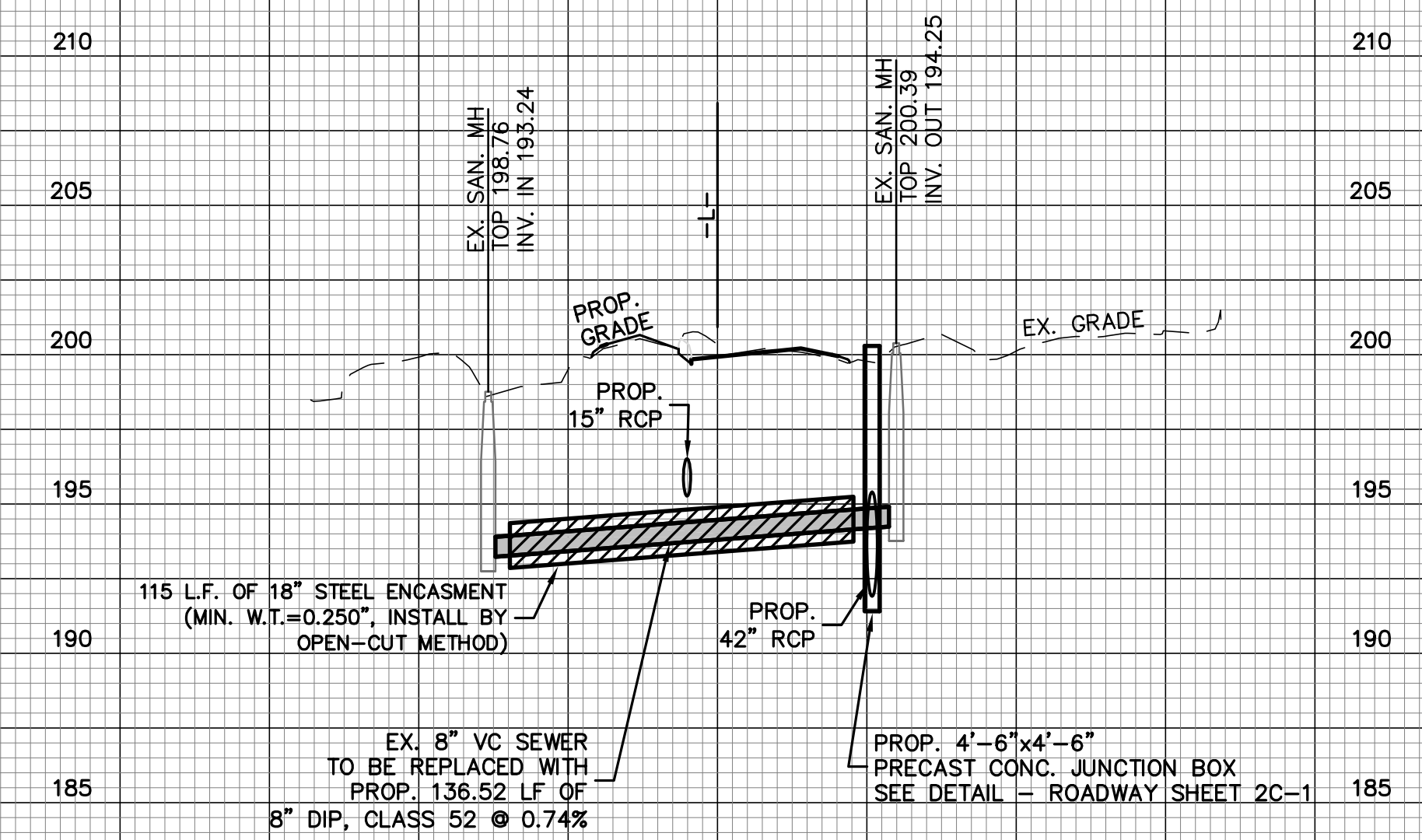
PROJECT REFERENCE NO.	W-5519	SHEET NO.	UC-9
DESIGNED BY:	DMP	DATE:	9/16/2015
DRAWN BY:	DMP	APPROVED BY:	
CHECKED BY:	DMP	UTILITIES ENGINEERING SEC.	UTILITY CONSTRUCTION PLANS ONLY
APPROVED BY:		PHONE: (919) 707-6690	
REVISED:		FAX: (919) 250-4151	



PW100 (SEE SHEET UC-5)



PS100 (SEE SHEET UC-7)



PS200 (SEE SHEET UC-8)