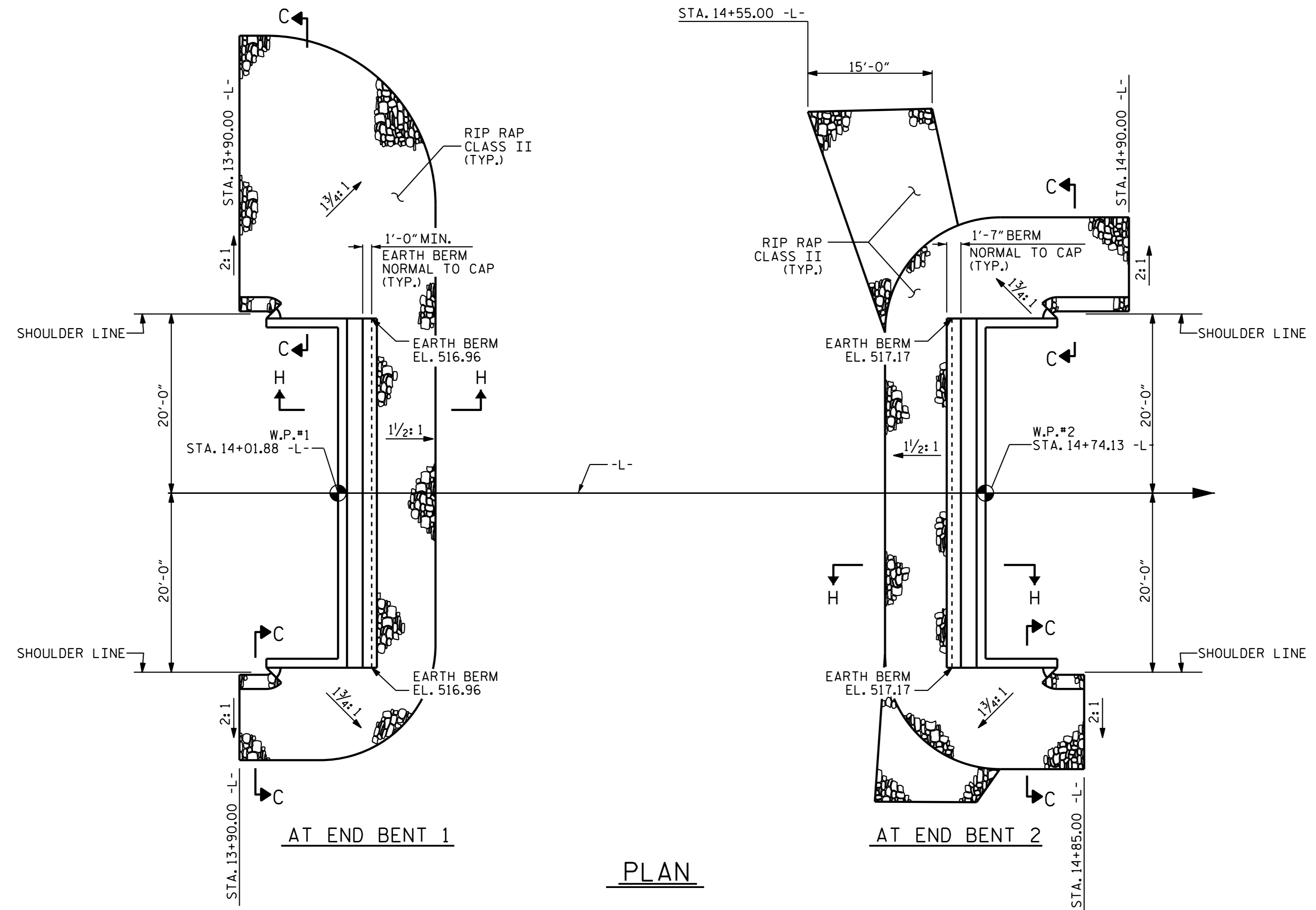
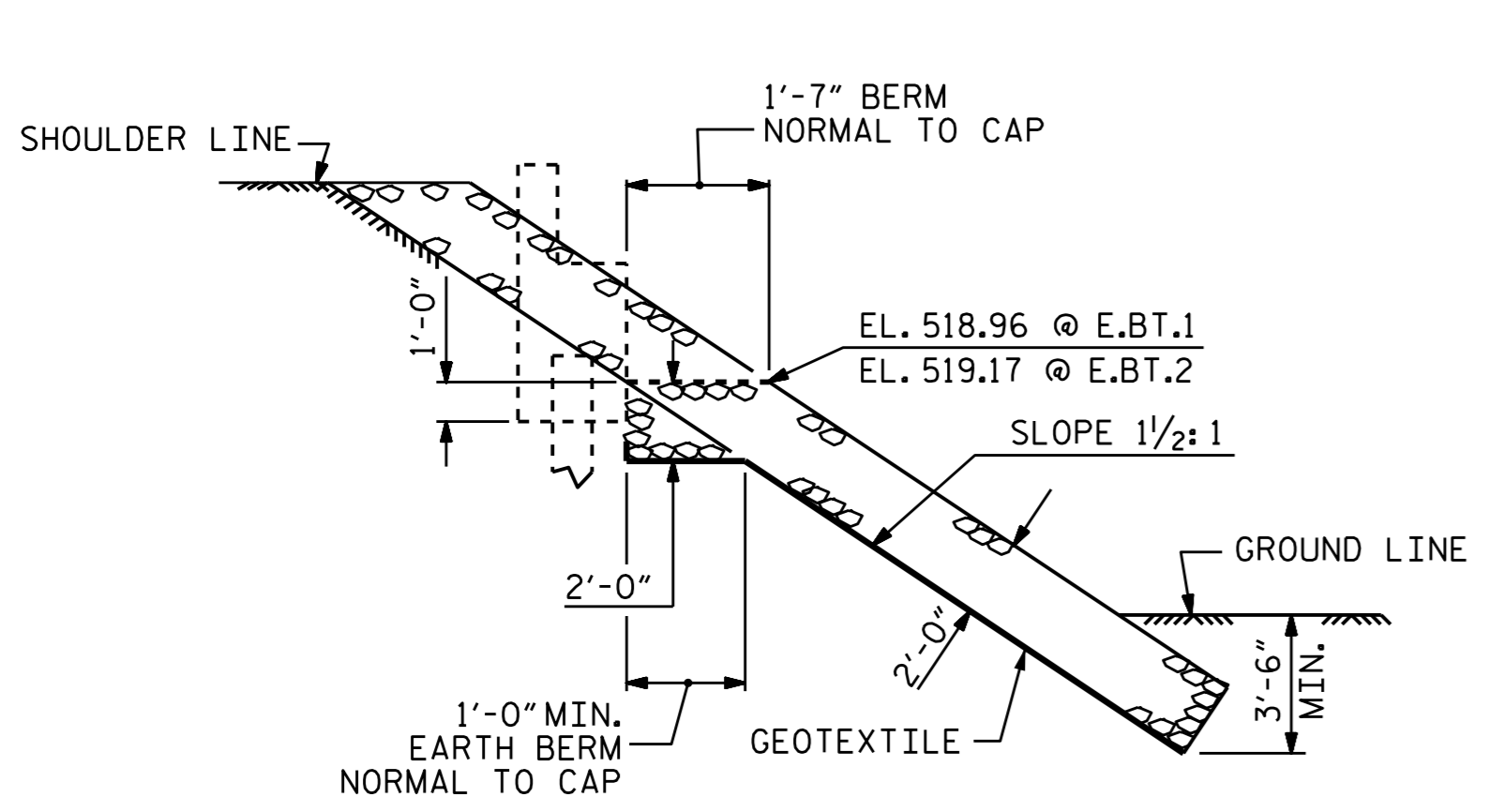


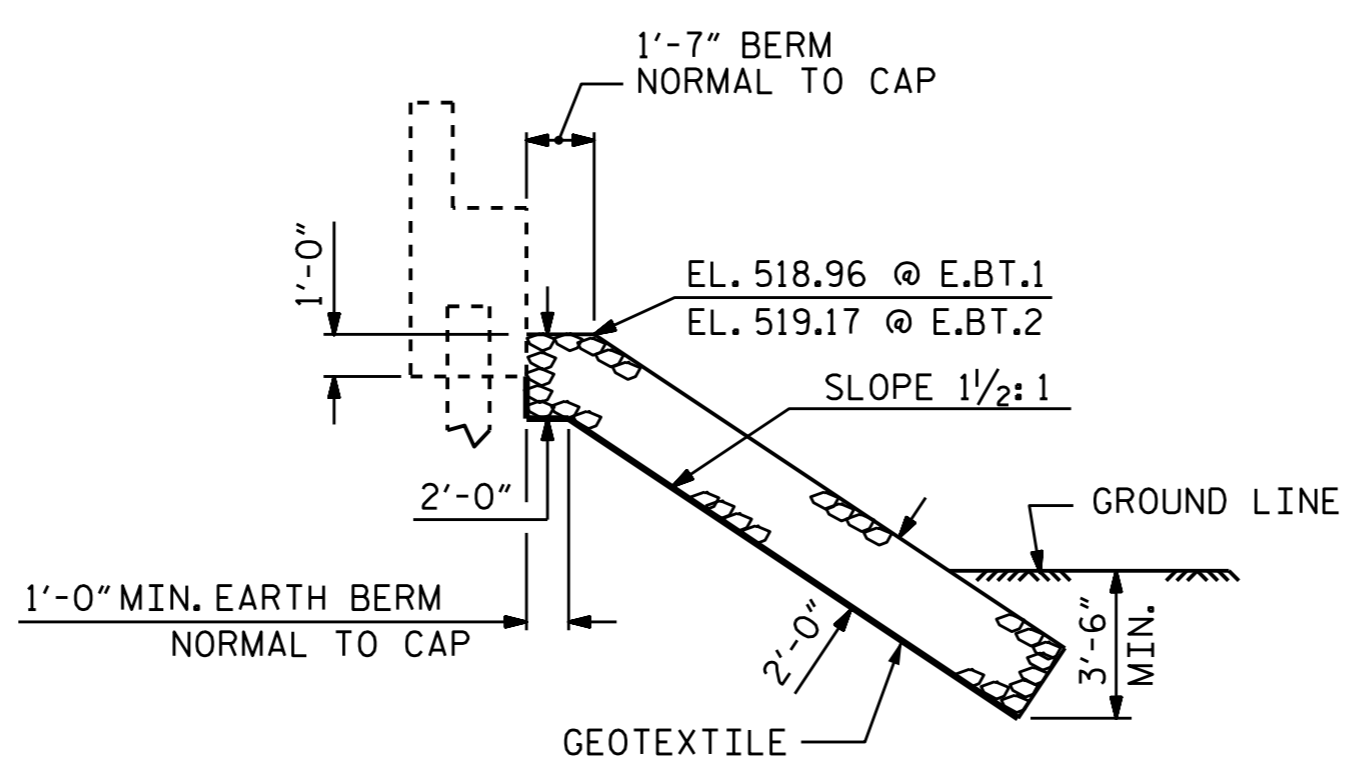
ESTIMATED QUANTITIES		
BRIDGE AT STA. 14+38.00-L-	RIP RAP CLASS II (2'-0" THICK)	GEOTEXTILE FOR DRAINAGE
	TONS	SQUARE YARDS
END BENT 1	153	170
END BENT 2	153	170



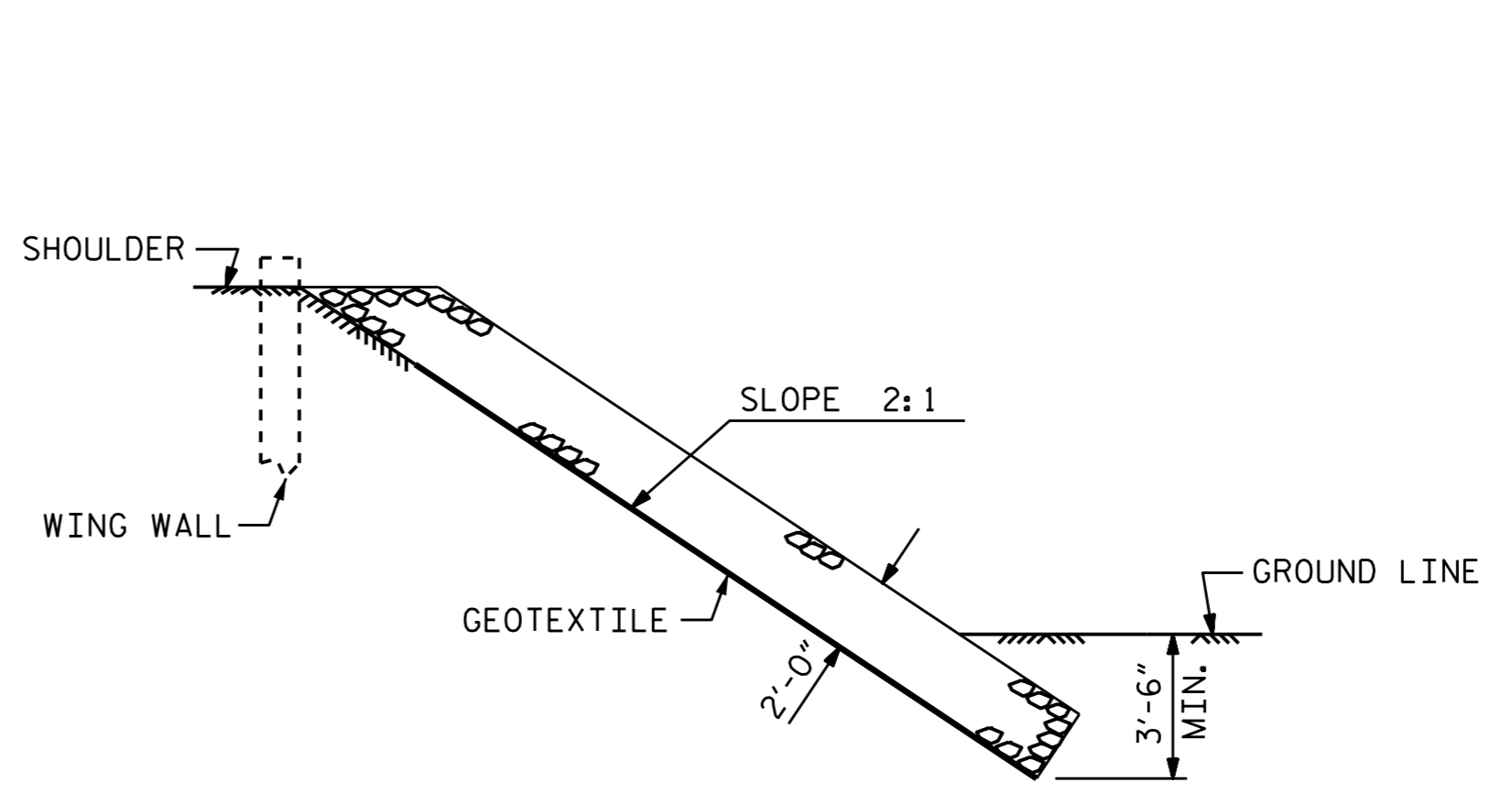
PLAN



SECTION H-H



SECTION C-C
BERM RIP RAPPED



SECTION C-C



Designed by: *Ting Hsing Fang* 9/15/2015
E7208400977435

PROJECT NO. B-5342
ALAMANCE COUNTY
STATION: 14+38.00 -L-

STATE OF NORTH CAROLINA
DEPARTMENT OF TRANSPORTATION
RALEIGH
STANDARD
= RIP RAP DETAILS =

ASSEMBLED BY : Z. J. O'KEEFE	DATE : 7/2014
CHECKED BY : P. K. NEWTON	DATE : 6/25/15
DRAWN BY : REK 1/84	REV. 5/1/06R TLA/GM
CHECKED BY : RDU 1/84	REV. 10/1/11 MAA/GM
	REV. 12/21/11 MAA/GM

REVISIONS						SHEET NO. S-17
NO.	BY:	DATE:	NO.	BY:	DATE:	
1			3			TOTAL SHEETS 18
2			4			