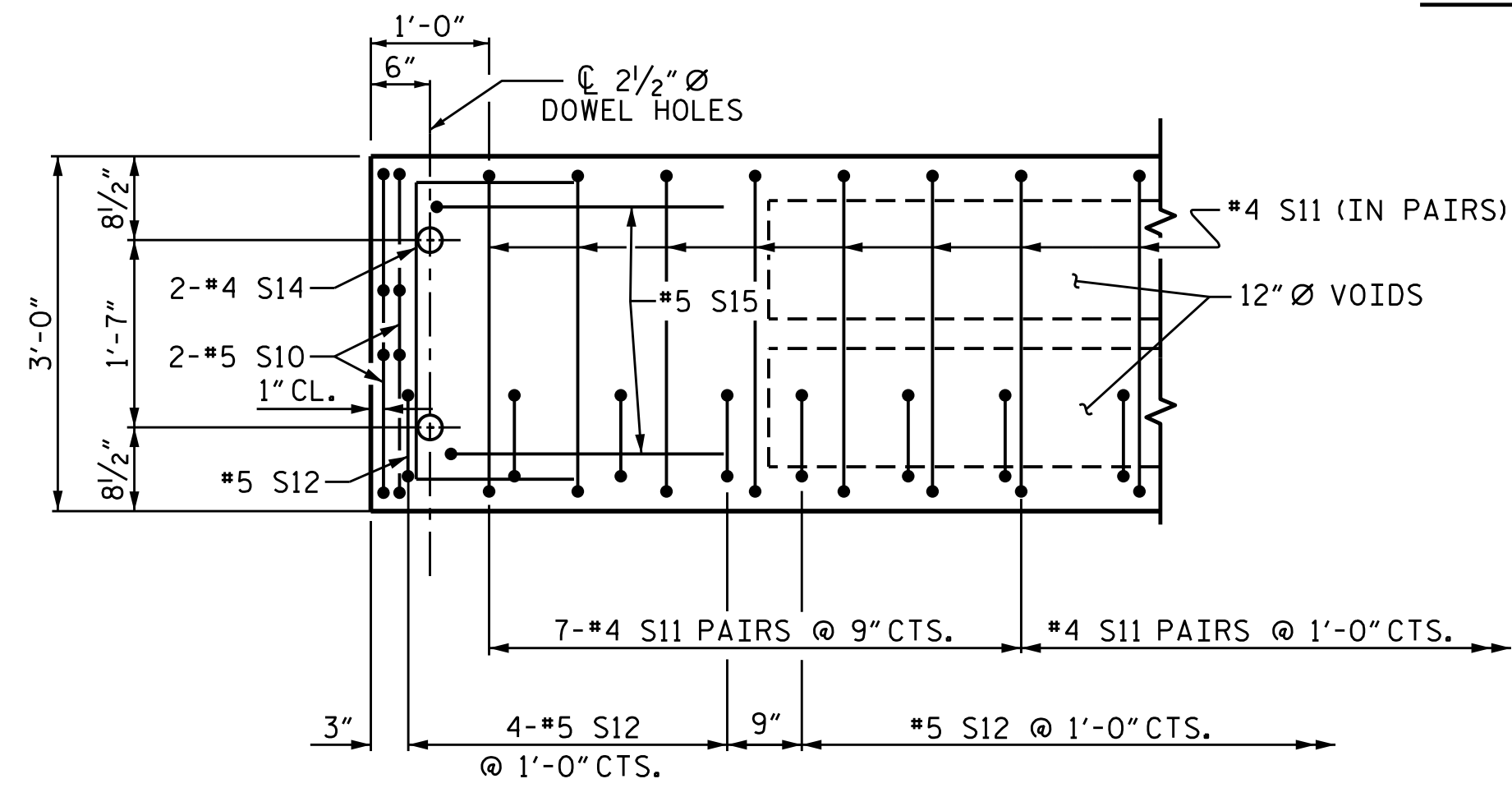
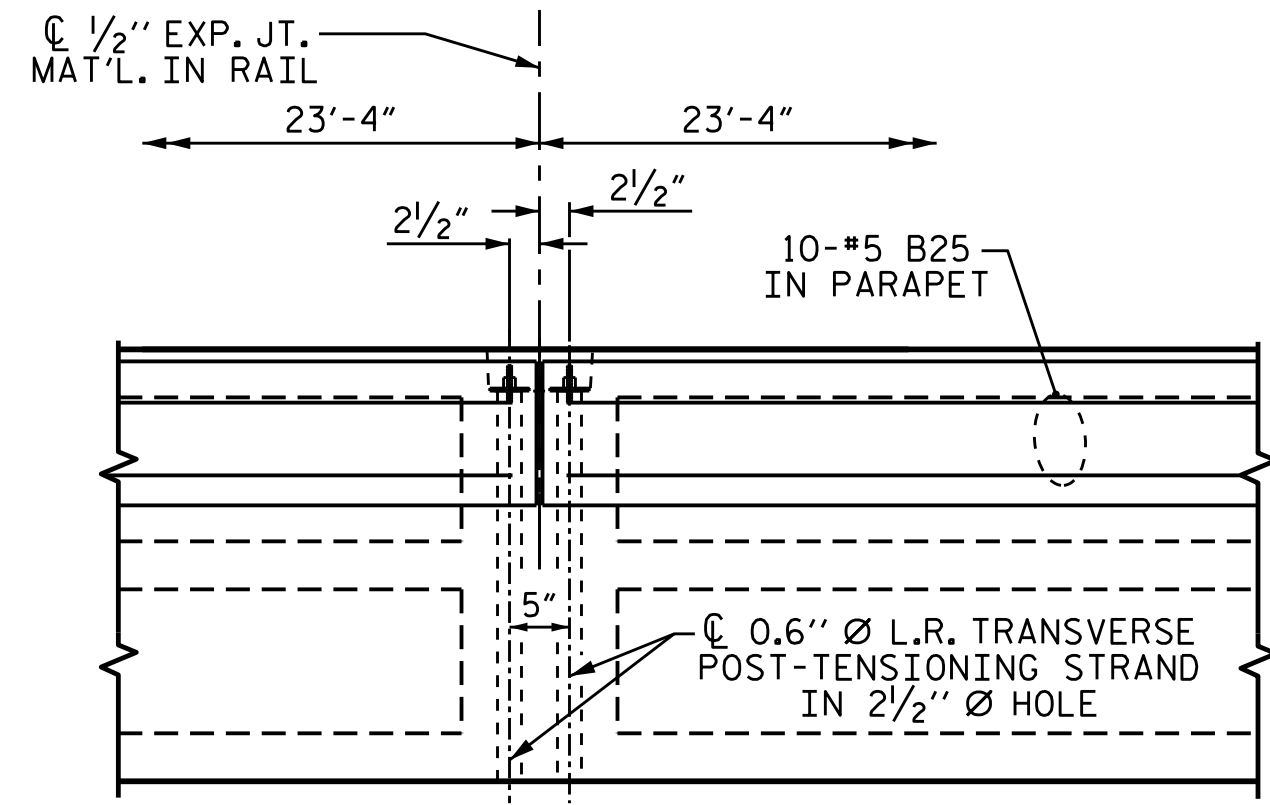


PLAN OF UNIT



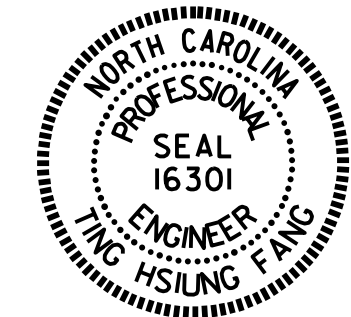
DETAIL "A"

(TYP. EACH END OF UNIT)  
NOTE: EXTERIOR UNIT SHOWN - INTERIOR UNIT SIMILAR EXCEPT OMIT #5 S12 BARS.



DETAIL "B"

#4 S11 BARS MAY BE SHIFTED AS NECESSARY TO MAINTAIN 1" CLEAR TO GROUDED RECESS AND 2-1/2" TRANSVERSE POST-TENSIONING STRAND HOLES



DocuSigned by:  
Ting H. Fang  
E7208660977435  
9/15/2015

PROJECT NO. B-5342  
ALAMANCE COUNTY  
STATION: 14+38.00 -L-

SHEET 2 OF 3

STATE OF NORTH CAROLINA DEPARTMENT OF TRANSPORTATION RALEIGH						SHEET NO. S-6
PLAN OF 70' UNIT 30'-6" CLEAR ROADWAY 90° SKEW						TOTAL SHEETS 18
REVISIONS						
NO.	BY:	DATE:	NO.	BY:	DATE:	
1			3			
2			4			

ASSEMBLED BY : T.L. AVERETTE DATE : 7/24/14  
CHECKED BY : P. K. NEWTON DATE : 6/16/15  
DRAWN BY : MAA 6/10 REV. 12/5/11 MAA/AAC  
CHECKED BY : MKT 7/10