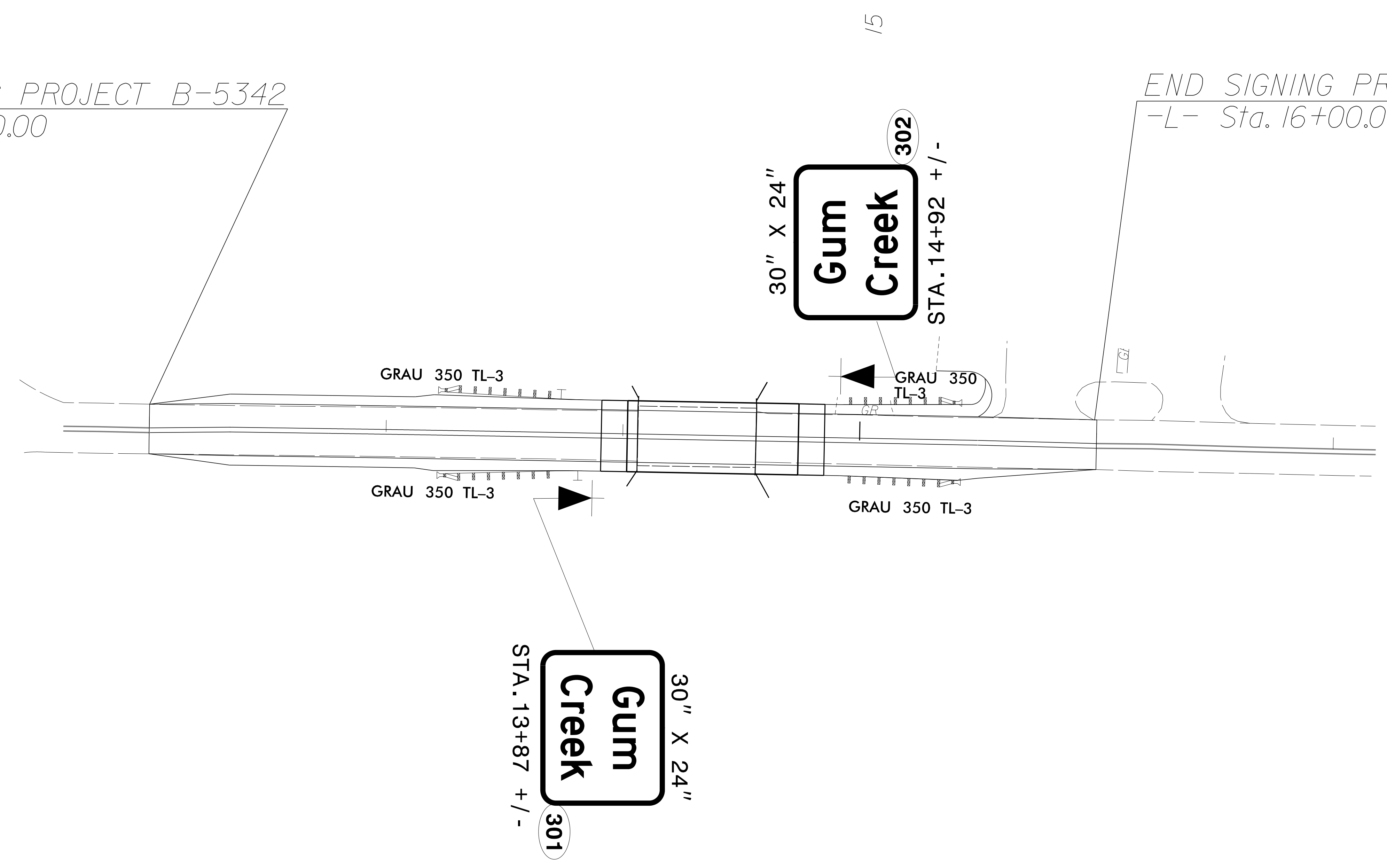


BEGIN SIGNING PROJECT B-5342
-L- Sta. 12+00.00

END SIGNING PROJECT B-5342
-L- Sta. 16+00.00



8/26/2015
 P:\TIP\Projects-B\B5342\Traffic\Signing\CADD\Signing Layout Plans\B5342_5gn_1.dgn
 Jserfs@bns

SIGN DETAIL SHEET