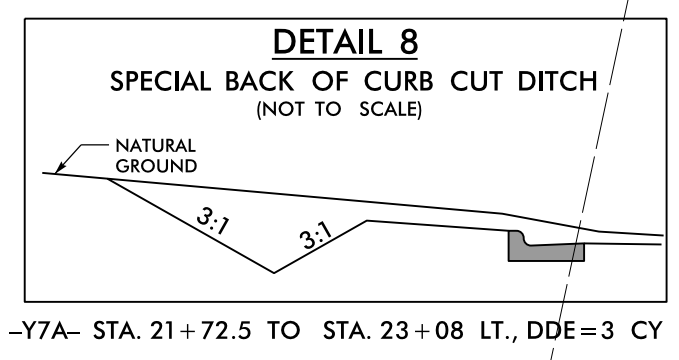


| | |
|-------------------------|---------------------|
| PROJECT REFERENCE NO. | SHEET NO. |
| U-3338B | EC-67/CONST.29 |
| RW SHEET NO. | |
| ROADWAY DESIGN ENGINEER | HYDRAULICS ENGINEER |

MATCHLINE -Y7A- STA.22 + 50 SEE SHEET 36



NOTE 1:
PLUG AND FILL FULL
WITH FLOWABLE FILL

-Y6- POT Sta. 30+77.74
-Y7A- POT Sta. 25+13.45
-Y16- POT Sta. 17+85.00

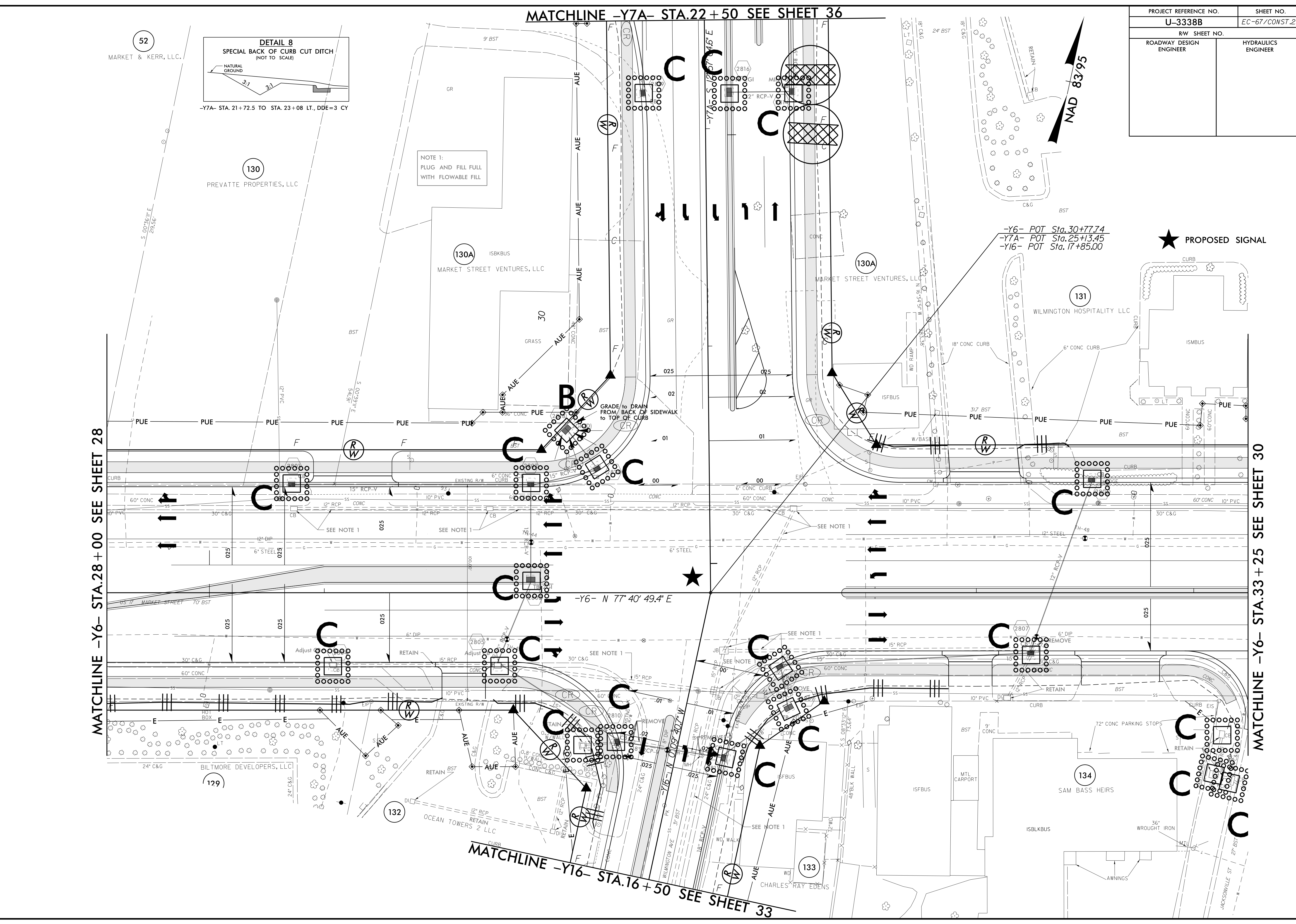
★ PROPOSED SIGNAL

MATCHLINE -Y6- STA.28 + 00 SEE SHEET 28

MATCHLINE -Y6- STA.33 + 25 SEE SHEET 30

MATCHLINE -Y16- STA.16 + 50 SEE SHEET 33

23 JAN 2015 14:31
D:\Projects\U-3338b-EC.psh.s29.dgn
R:\Users\m...
A:\Users\m...



8/17/99