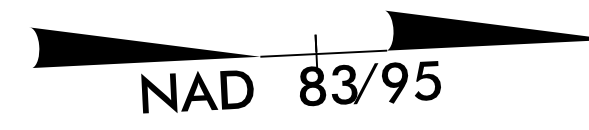
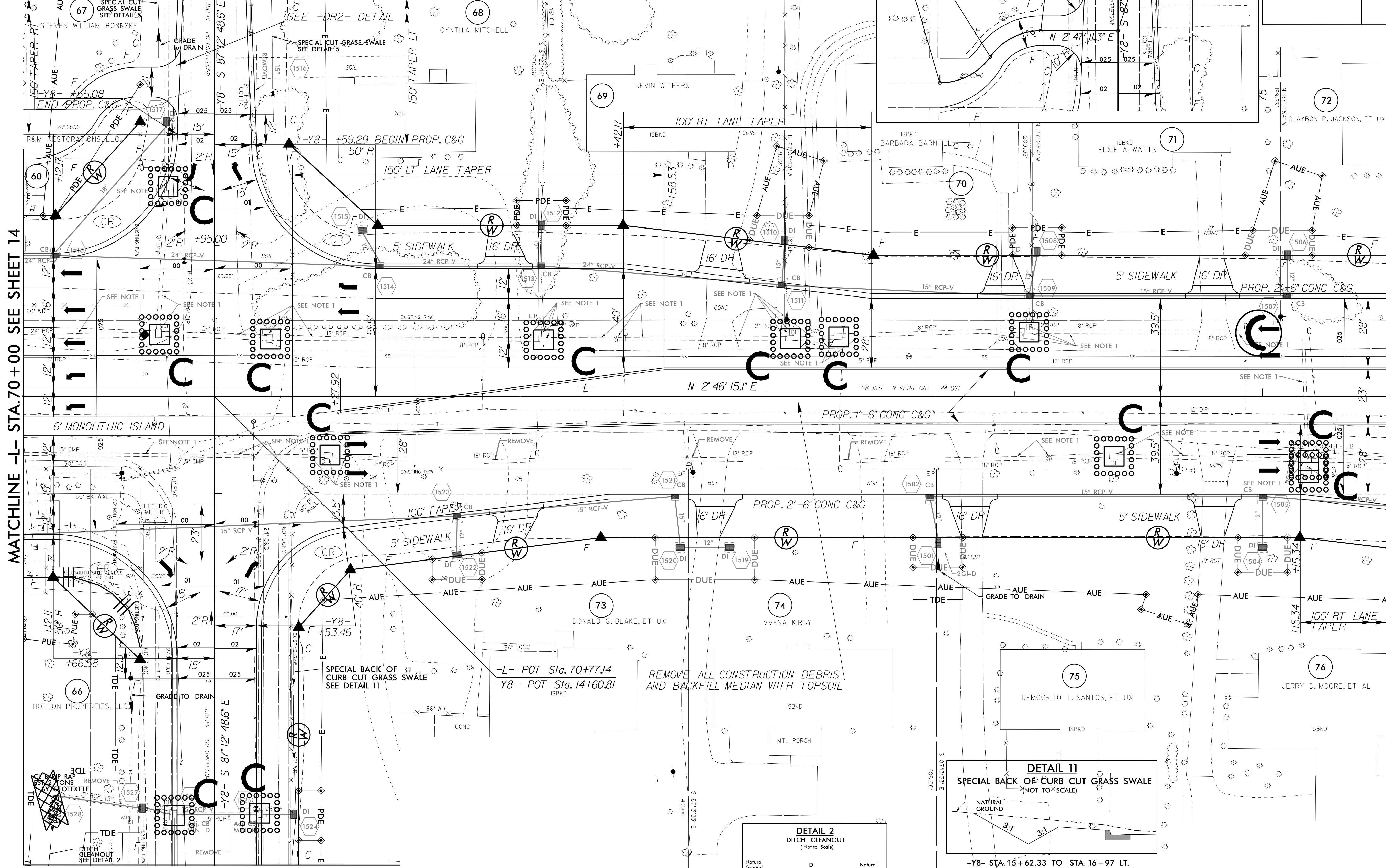
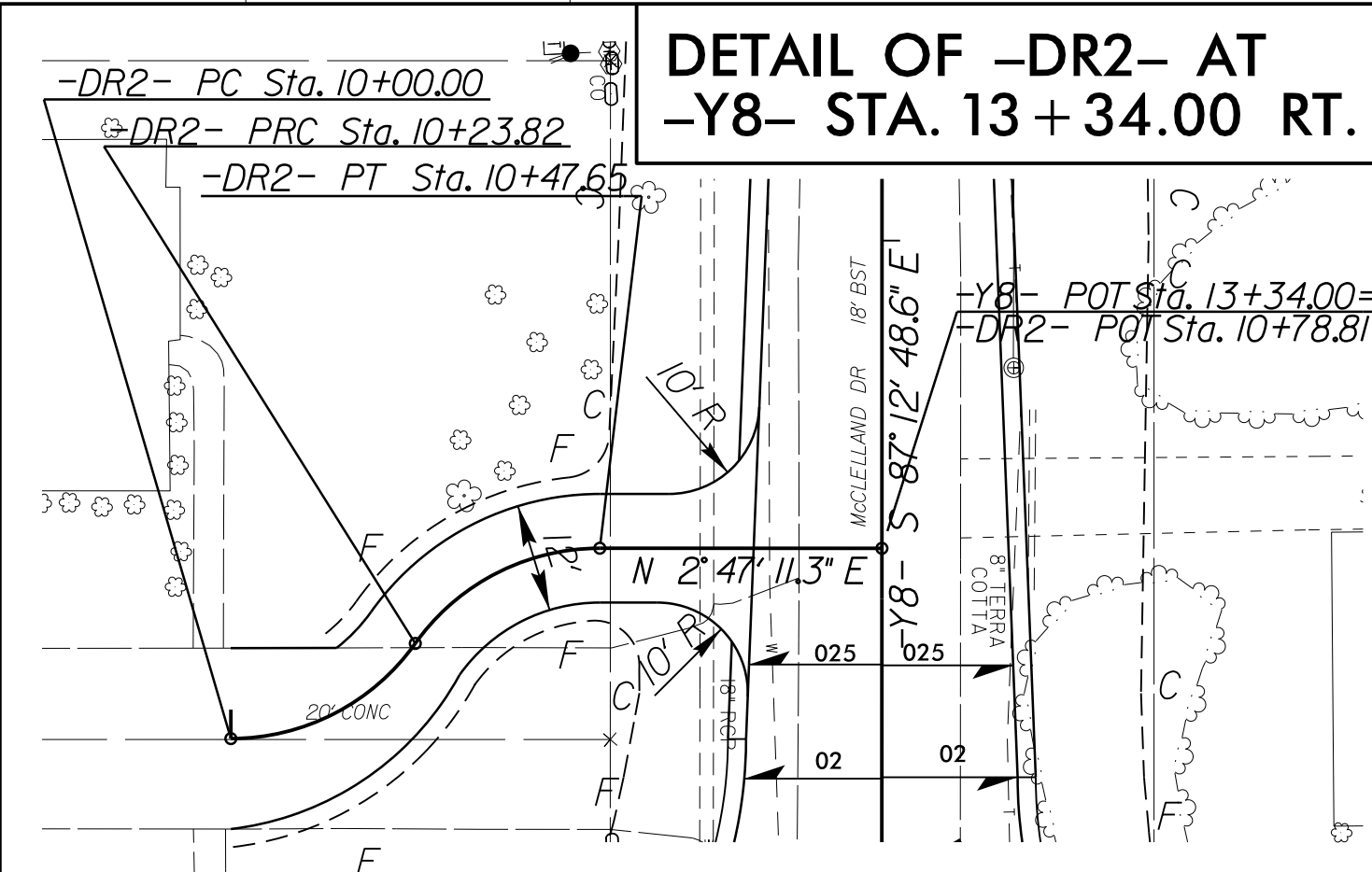


PROJECT REFERENCE NO.	SHEET NO.
U-3338B	EC-53/CONST.15
RW SHEET NO.	
ROADWAY DESIGN ENGINEER	HYDRAULICS ENGINEER



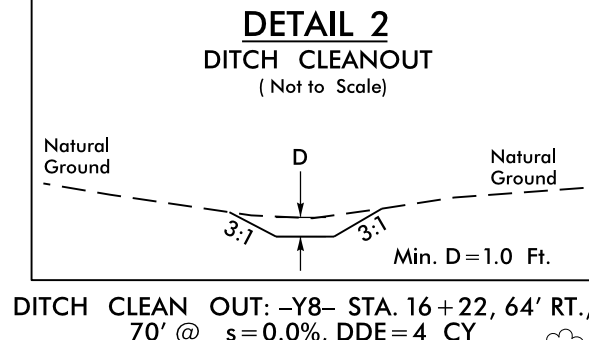
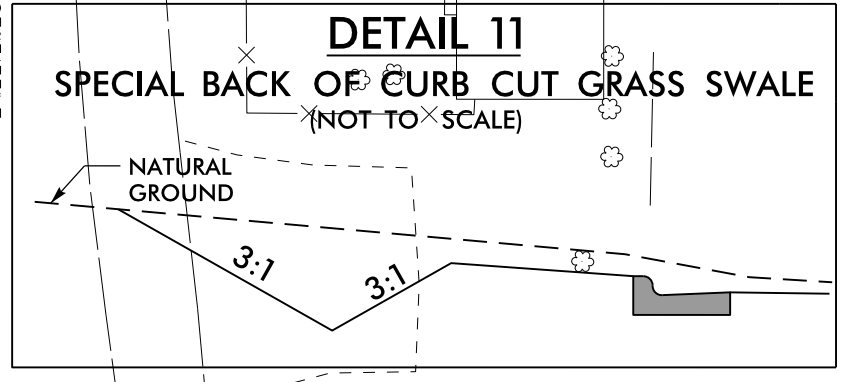
MATCHLINE -Y8- STA.13+00 SEE SHEET 37



MATCHLINE -L- STA.70+00 SEE SHEET 14

MATCHLINE -L- STA.75+50 SEE SHEET 16

MATCHLINE -Y8- STA.16+50 SEE SHEET 38



NOTE 1:
PLUG AND FILL FULL WITH FLOWABLE FILL

8/17/99
9/21/AN-2015 15:07
R:\enviroment\U-3338B-EC.upsh.s15.dgn
U-3338B-EC-15.dgn