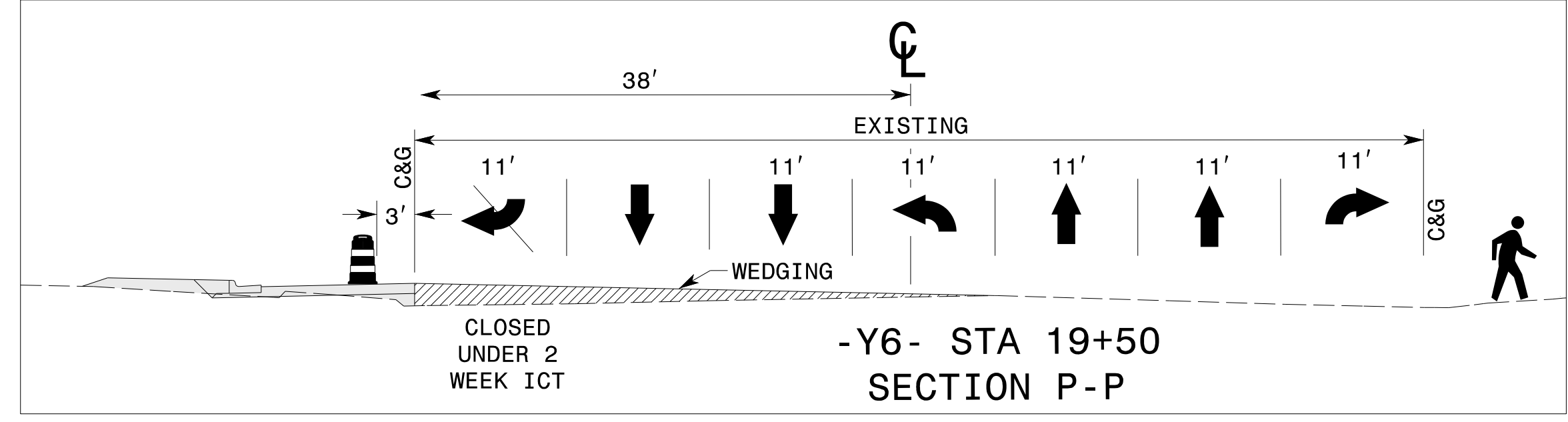
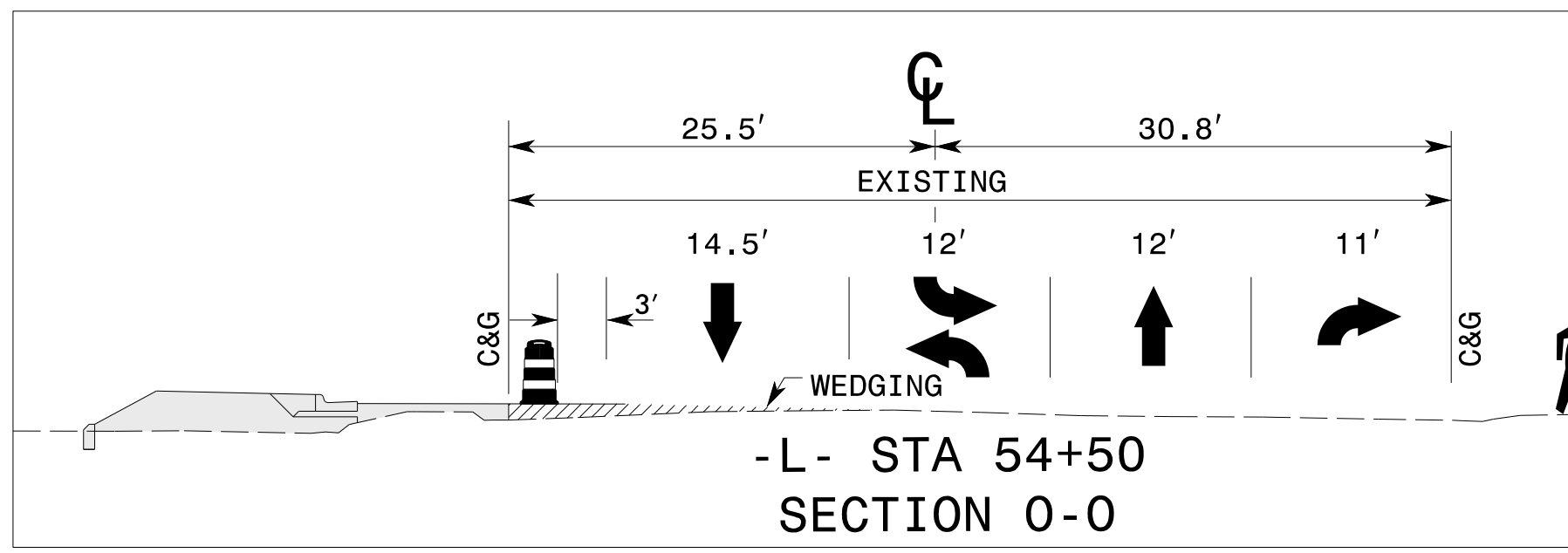
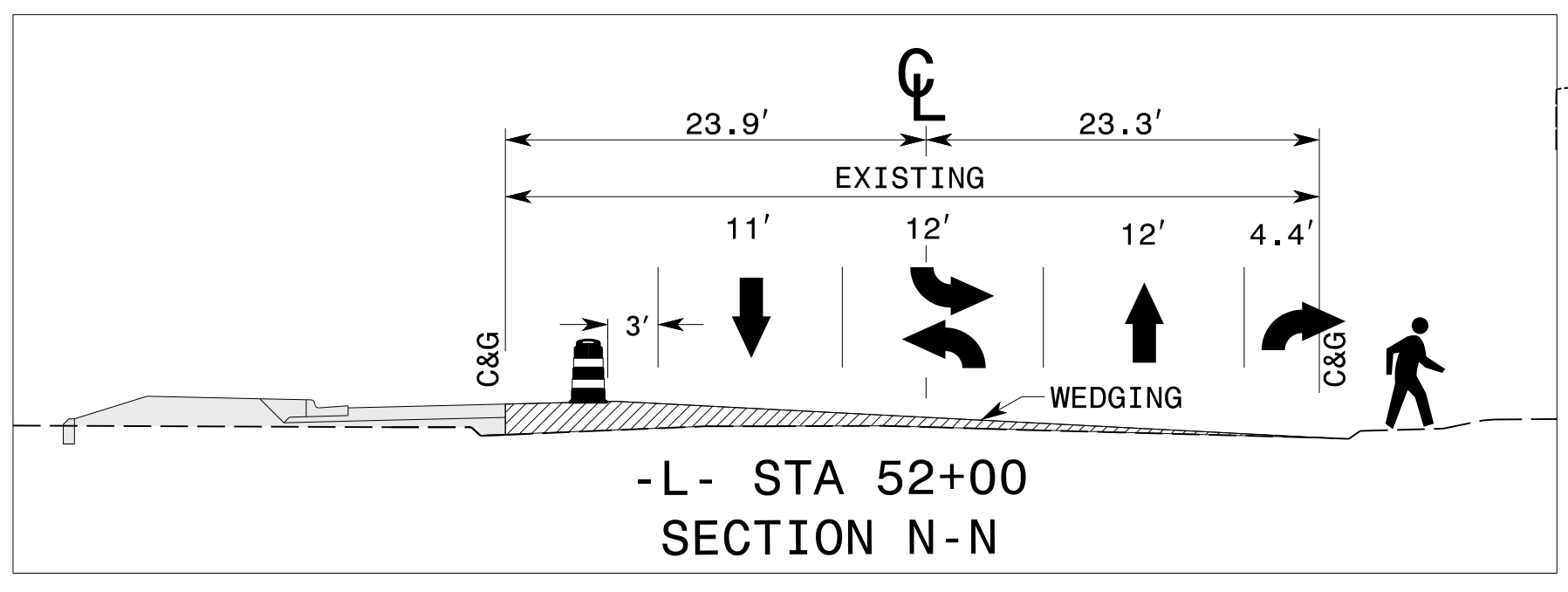
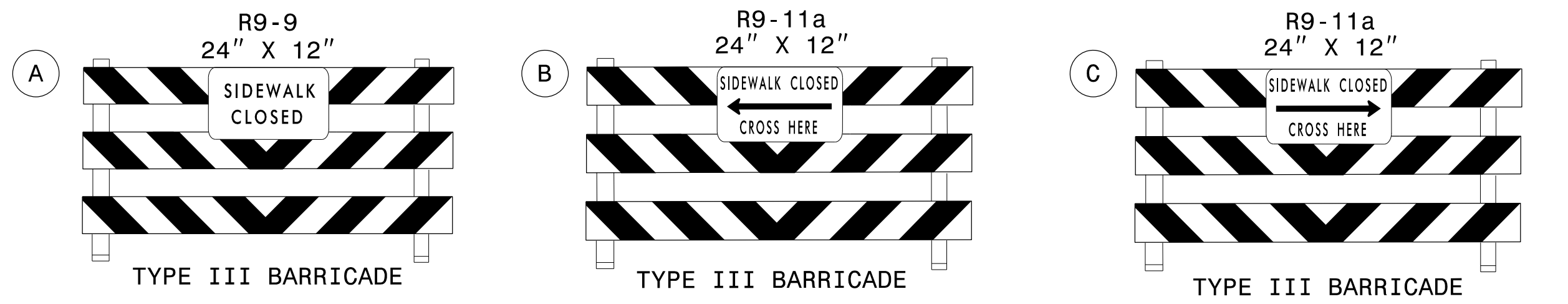


- CONSTRUCTION**
- 1 W11-2 48" x 48"
 - 2 R3-2 24" x 24"
 - 3 NORTH M3-1 24" x 12"
 - 4 BUSINESS M4-3 24" x 12"
 - 5 17 M1-4 24" x 24"
 - 6 M6-1 R 21" x 15"
 - 7 SOUTH M3-3 24" x 12"
 - 8 BUSINESS M4-3 24" x 12"
 - 9 17 M1-4 24" x 24"
 - 10 M6-1 R 21" x 15"
- W11-2 & W16-7P SIGNS SHALL HAVE A BLACK LEGEND ON ORANGE BACKGROUND

MESSAGES FOR CMS #3

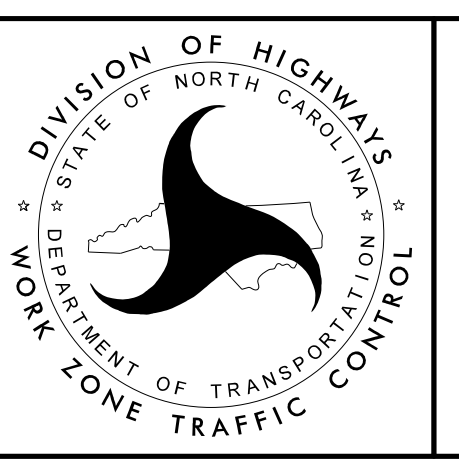
NEW TRAFFIC PATTERN	NO LEFT TURN AT MARKET
---------------------	------------------------

DURING PHASE II CLOSURE OF LEFT TURN ONTO US 17 BUSINESS (MARKET STREET) FROM SB KERR AVENUE



ATKINS 1616 EAST MILLBROOK ROAD, SUITE 310
 RALEIGH, NORTH CAROLINA 27609
 (919) 876-6888 NCBEES #F-0326

APPROVED: DATE: 7/9/2015



PHASE II DETAIL

09 JUL 2015 15:37
 C:\Users\jacob\Documents\Projects\U-3338B\Kerr TMP\FOR NCDOT\U3338B_TC_TCP_21.dgn
 AT DUS220140