

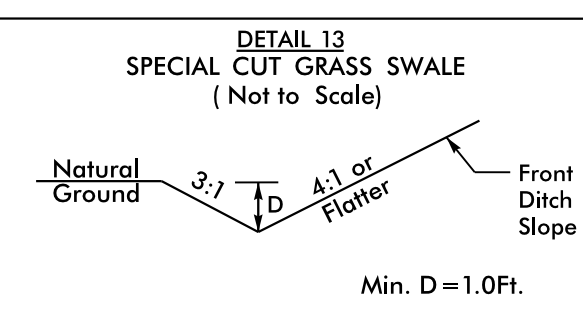
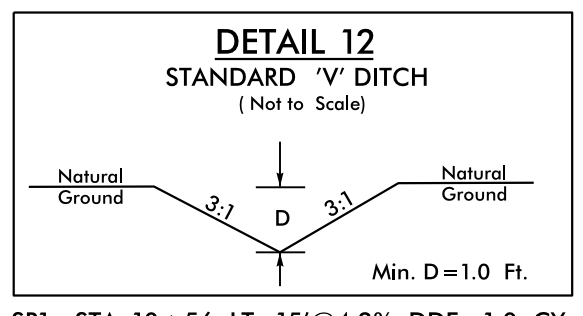
NAD 83/95

MATCHLINE -Y12- STA.12+50 SEE SHEET 17

MATCHLINE -Y12- STA. 16+50 SEE THIS SHEET

NAD 83/95

-Y12-
PI Sta 14+28.83
 $\Delta = 1' 48" 12.8" (RT)$
 $D = 1' 08" 45.3"$
 $L = 157.39'$
 $T = 78.70'$
 $R = 5,000.00'$



-Y12- +15
30.22' LT
60' LT

-SRI-
PI Sta 11+57.67
 $\Delta = 20' 10" 19.0" (LT)$
 $D = 19' 05" 54.9"$
 $L = 105.62'$
 $T = 53.36'$
 $R = 300.00'$
 $SE = .04$

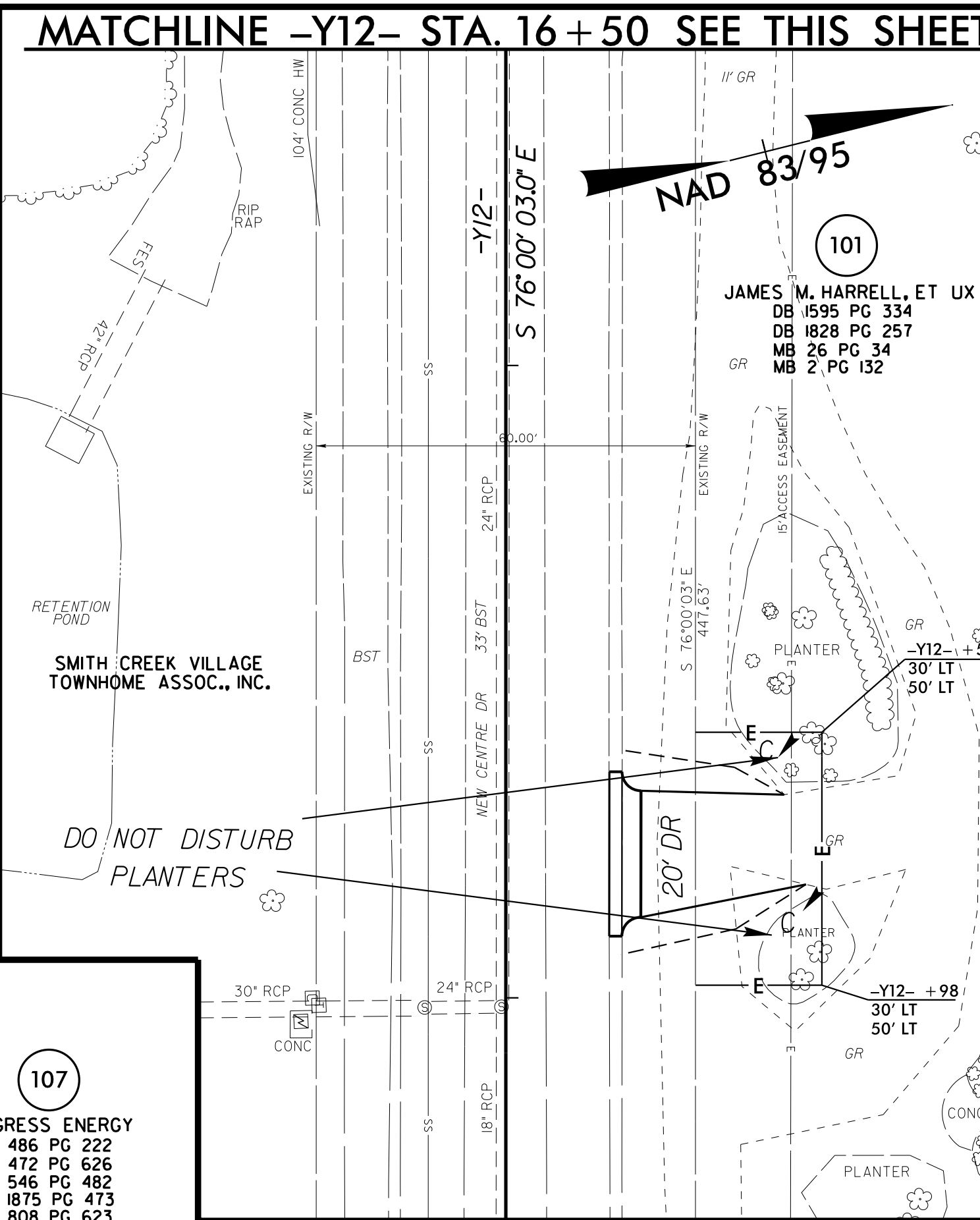
-SRI- STA. 11+50 TO STA. 13+00 LT.

101
JAMES M. HARRELL, ET UX
DB 1595 PG 334
DB 1828 PG 257
MB 26 PG 34
MB 2 PG 132

107
PROGRESS ENERGY
DB 486 PG 222
DB 472 PG 626
DB 546 PG 482
DB 1875 PG 473
DB 808 PG 623
MB 38 PG 242
MB 2 PG 132

108
TEDDY A. PROCTOR
DB 4036 PG 281
DB 486 PG 222
DB 2333 PG 073
DB 1901 PG 162
MB 2 PG 132

108
TEDDY A. PROCTOR
DB 4036 PG 281
DB 486 PG 222
DB 2333 PG 073
DB 1901 PG 162
MB 2 PG 132



REVISIONS

8/17/99

13 JAN 2015 14:16
S:\3338B\rdj\psh.s40.dgn

MATCHLINE -Y12- STA. 16+50
SEE THIS SHEET

MATCHLINE -SRI- STA.14+00 SEE SHEET 41

FOR -SRI- PROFILE SEE SHEET 63