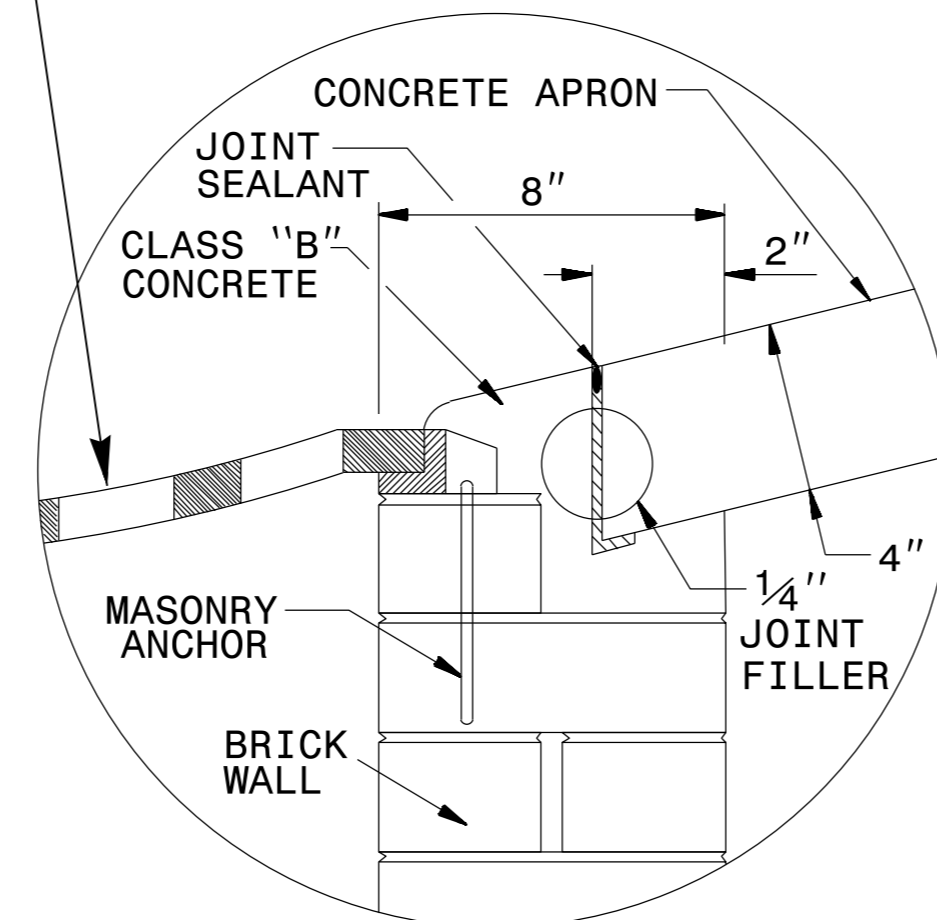


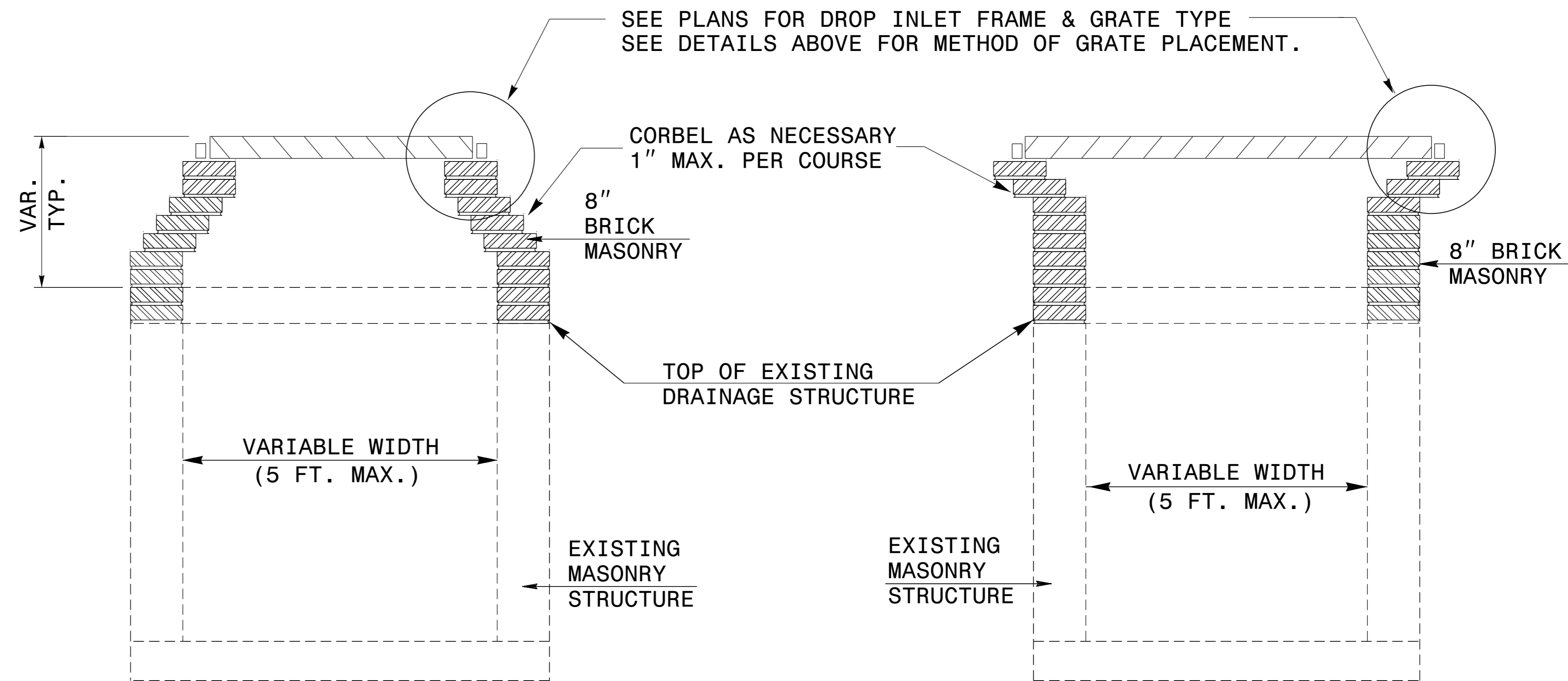
**GRATE PLACEMENT DETAIL**  
FOR DROP INLETS



**GRATE PLACEMENT DETAIL**  
FOR GRATED DROP INLETS

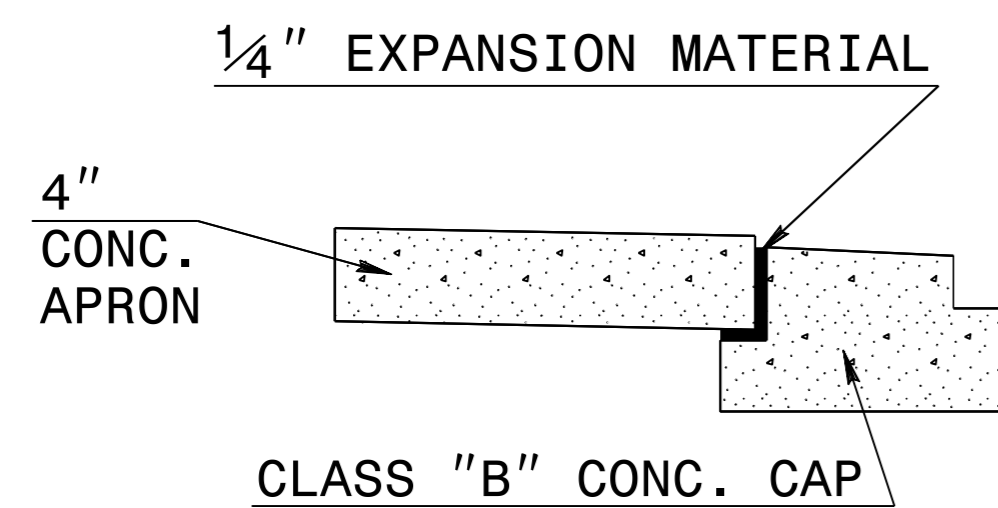
**GENERAL NOTES:**

- CONSTRUCT IN ACCORDANCE WITH SECTION 859 OF THE STANDARD SPECIFICATIONS.
- USE CLASS B CONCRETE.
- THE DIMENSIONS FOR THE EXISTING BOXES ARE APPROXIMATE AND MAY VARY SLIGHTLY.
- JUMBO CONCRETE BRICK WILL BE PERMITTED. 4" CONCRETE BRICK OR 8" SOLID CONCRETE BLOCK ARE REQUIRED FOR DRAINAGE STRUCTURE.
- INCLUDE 18" CONCRETE APRON IN UNIT PRICE BID PER EACH, CONVERT EXISTING CATCH BASIN TO DROP INLET.
- SPECIAL DESIGN IS REQUIRED FOR USE UNDER PAVEMENT.
- CONFIRM DIMENSIONS ON EACH INDIVIDUAL FRAME & GRATE PROPOSAL.
- SEE STD. DRAWING 840.25 FOR MASONRY ANCHORAGE.

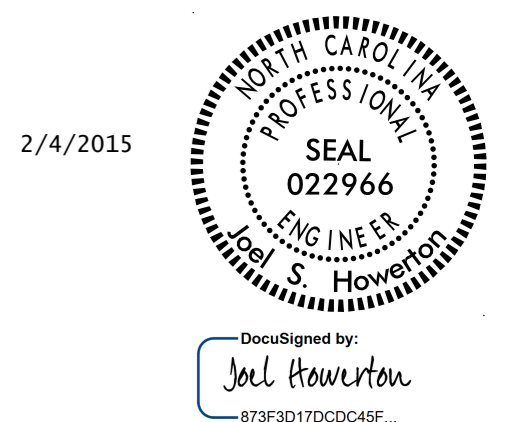


**TYPICAL SECTION**

**TYPICAL SECTION**



**EXPANSION JOINT DETAIL**



2/4/2015

DocuSigned by:  
Jael Howerton  
673F3D17DC0C45F...

**CONTRACT STANDARDS AND DEVELOPMENT UNIT**  
Office 919-707-6950 FAX 919-250-4119

**DETAIL TO CONVERT EXISTING CATCH BASIN OR JUNCTION BOX TO DI OR 2-GI**

ORIGINAL BY: T.S.S.	DATE: NOV. 1997
MODIFIED BY: T.S.S.	DATE: FEB. 2000
CHECKED BY:	DATE:
FILE SPEC.: s:usr/details/stand/cbtodi02.dgn	

C:\P\3\3338B\DRAWING\2C-8.DWG  
 2/4/2015 10:00:00 AM  
 Jael Howerton  
 673F3D17DC0C45F...