

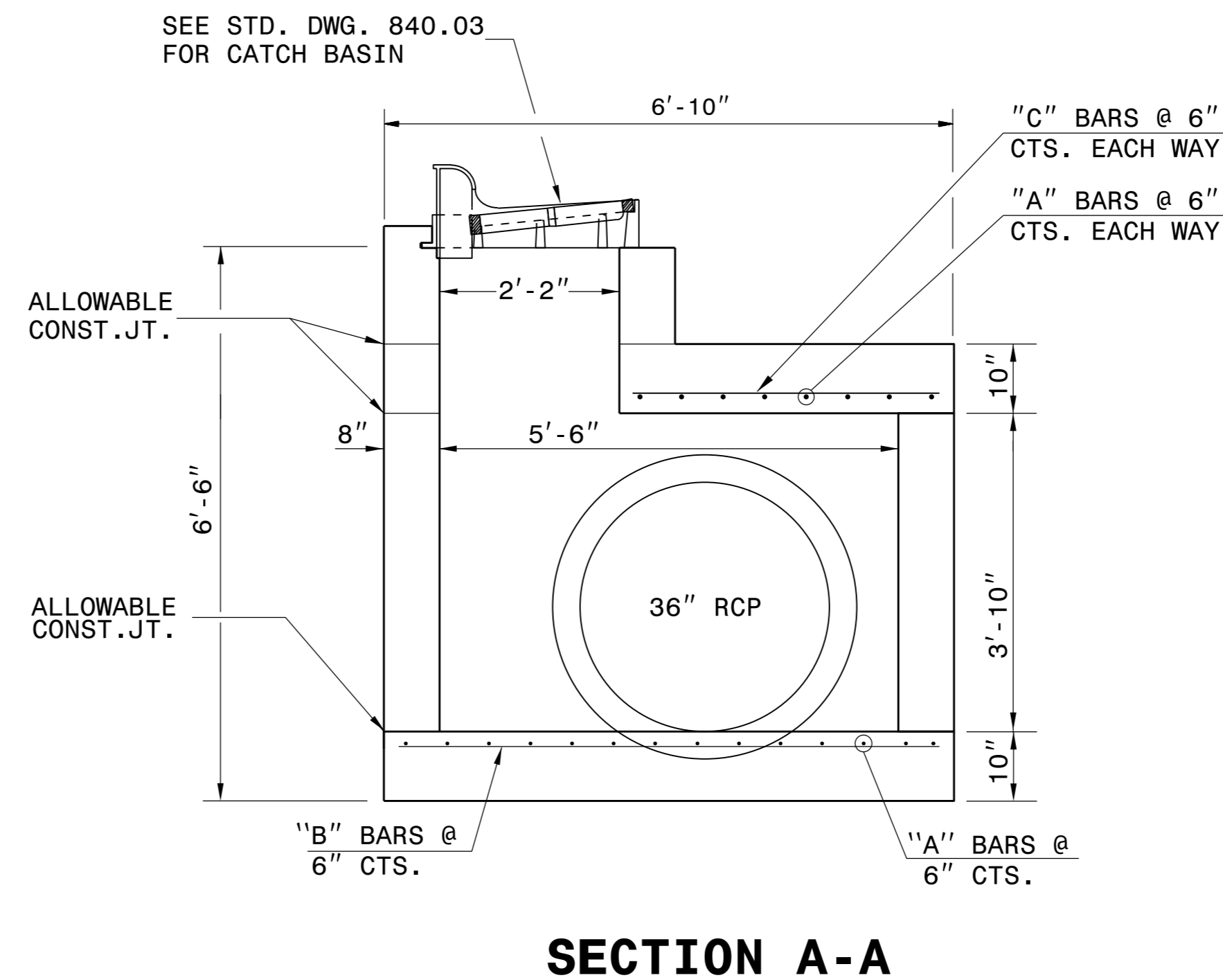
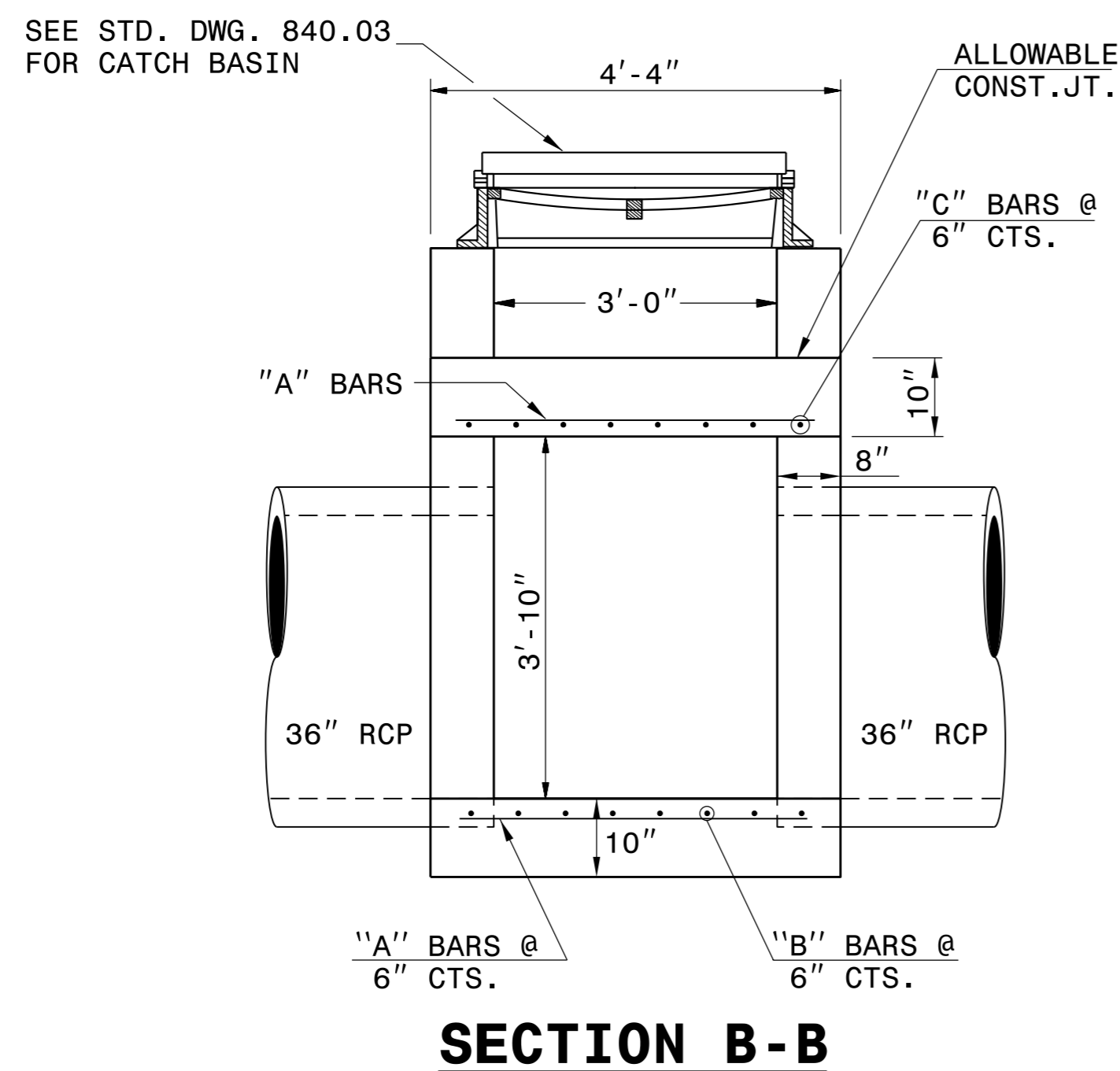
GENERAL NOTES:

1. USE CLASS "B" CONCRETE THROUGHOUT.
2. CONSTRUCT CONCRETE BOX IN ACCORDANCE WITH SECTION 825 OF THE STANDARD SPECIFICATIONS.
3. USE FORMS FOR CONSTRUCT THE BOTTOM SLAB.
4. ADJUST LENGTH OF STEEL BARS AS NEEDED TO COMPENSATE FOR PIPES AND FRAME AND GRATE OPENINGS.
5. REINFORCING STEEL SHALL CONFORM TO ASTM A 615, GRADE 60.
6. CUT OR BEND STEEL BARS AS NEEDED TO PROVIDE 2" CLEARANCE.
7. LOCATE FRAME AND GRATE AS FIELD CONDITIONS DICTATE AND AS DIRECTED BY THE ENGINEER.
8. DIMENSIONS MAY BE ADJUSTED AS DIRECTED BY THE ENGINEER.

BILL OF MATERIALS

BAR	QTY	SIZE	LENGTH	WEIGHT
A	22	#5	4'-0"	92
B	8	#5	5'-2"	43
C	8	#5	3'-8"	31
TOTAL REINF. STEEL (lbs.)				166
TOTAL CONC. CU. YDS.			4.1	

NO DEDUCTIONS HAVE BEEN MADE TO ACCOMMODATE PIPES OR CATCH BASIN OPENING.



C:\TIME\SS\DRAWING\CONSTRUCTION\USER\NAME\$\$\$\$.DGN
 6/26/2015 10:00:00 AM



**CONTRACT SERVICES
AND DEVELOPMENT UNIT**
Office 919-707-6950 FAX 919-250-4119

**DETAIL OF SPECIAL
CATCH BASIN**

ORIGINAL BY: K.A. KEMPF	DATE: JUNE 17, 2014
MODIFIED BY:	DATE:
CHECKED BY:	DATE:
FILE SPEC.: s:details/kkempf/english/u3338B_cb_offset.dgn	