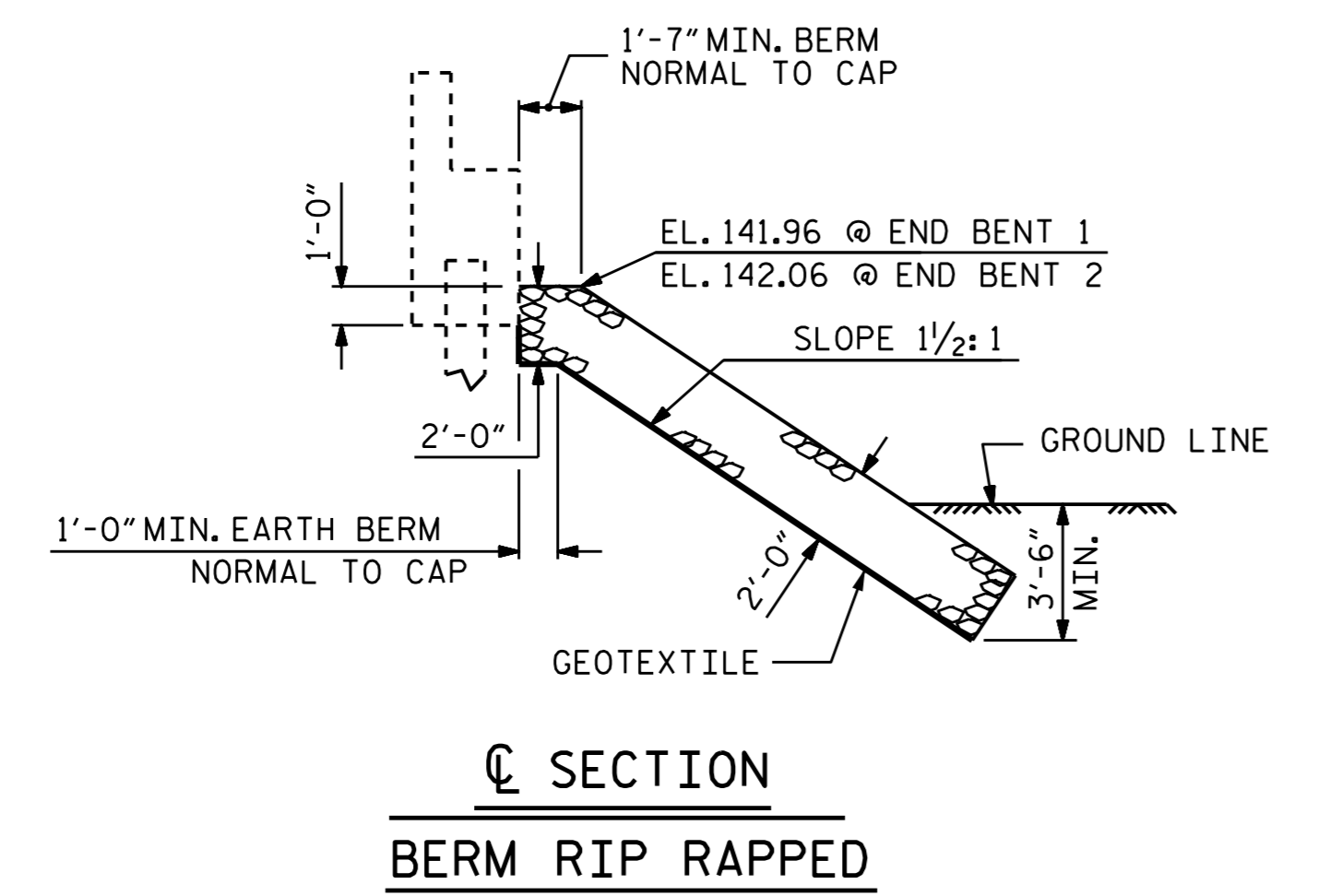
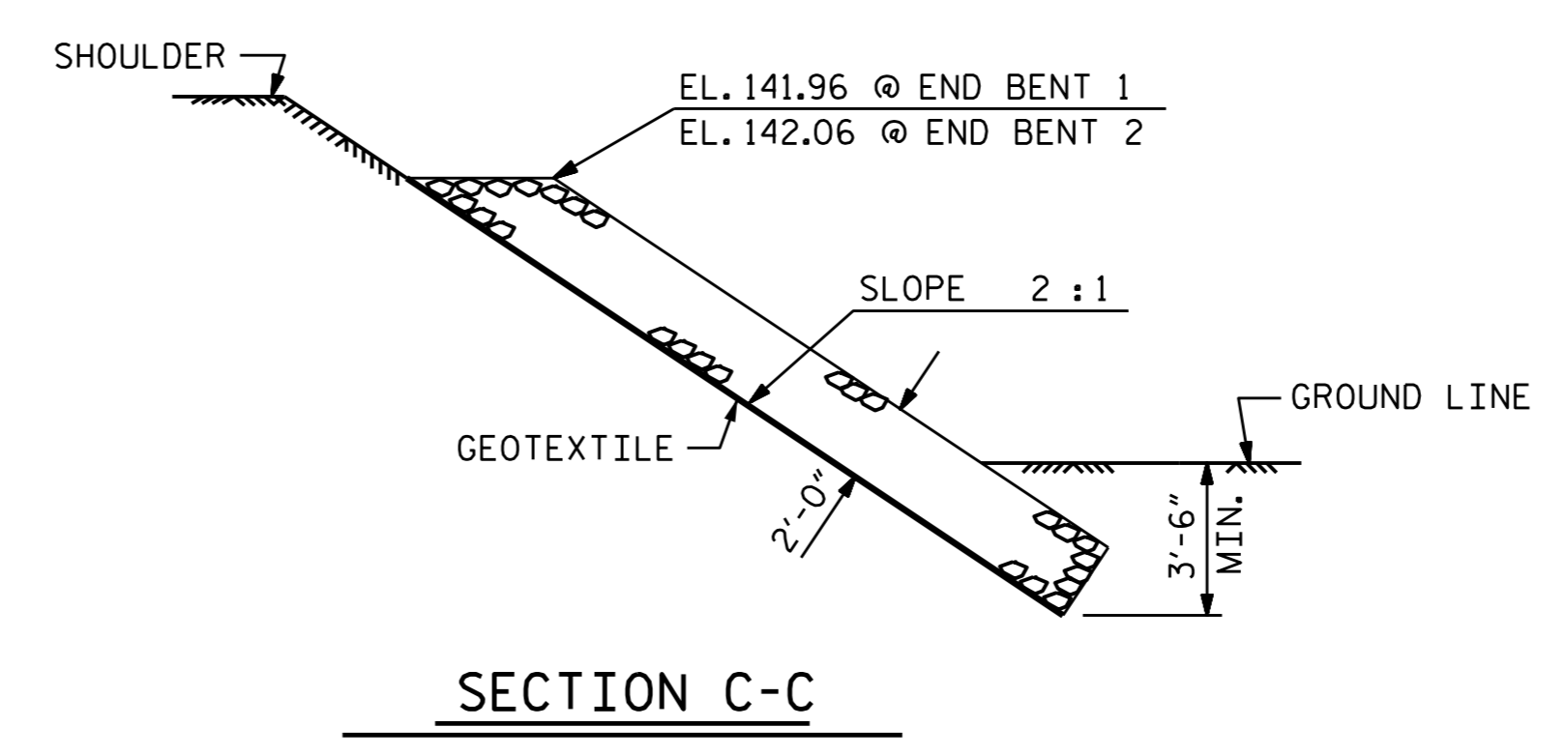


PLAN OF RIP RAP

ESTIMATED QUANTITIES		
BRIDGE @ STA. 24+68.00 -L-	RIP RAP CLASS II (2'-0" THICK)	GEOTEXTILE FOR DRAINAGE
	TONS	SQUARE YARDS
END BENT 1	705	784
END BENT 2	819	910



SECTION BERM RIP RAPPED



SECTION C-C



PROJECT NO. I-3318BB  
JOHNSTON COUNTY  
 STATION: 24+68.00 -L-

STATE OF NORTH CAROLINA  
 DEPARTMENT OF TRANSPORTATION  
 RALEIGH

## RIP RAP DETAILS

ASSEMBLED BY : D. G. ELY	DATE : 7/28/15
CHECKED BY : D. A. GLADDEN	DATE : 7/30/15
DRAWN BY : REK 1/84	REV. 5/1/06R TLA/GM
CHECKED BY : RDU 1/84	REV. 10/1/11 MAA/GM
	REV. 12/21/11 MAA/GM

REVISIONS						SHEET NO. S-67
NO.	BY:	DATE:	NO.	BY:	DATE:	
1			3			TOTAL SHEETS 78
2			4			