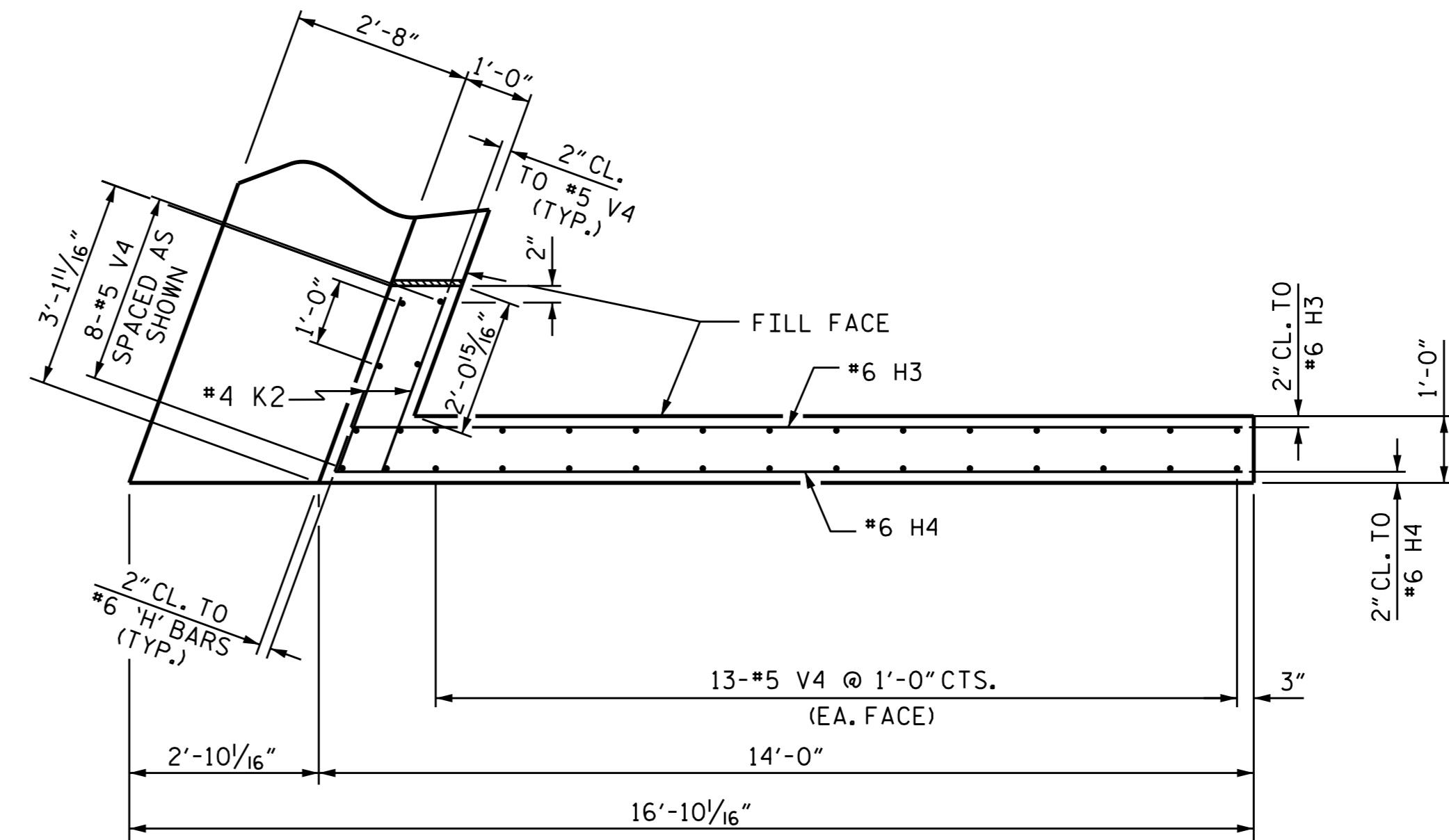
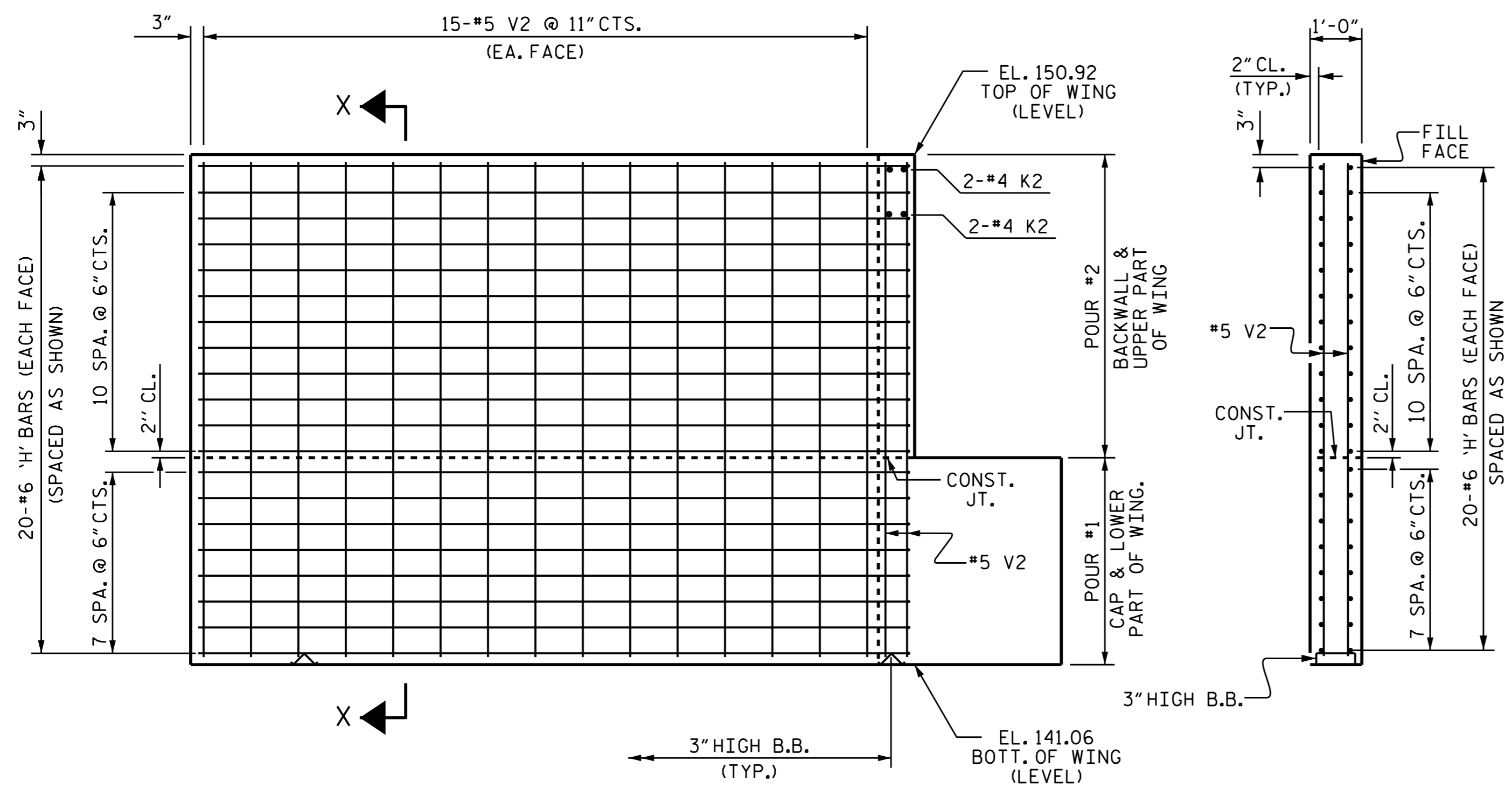


PLAN OF WING W1

SECTION Y-Y

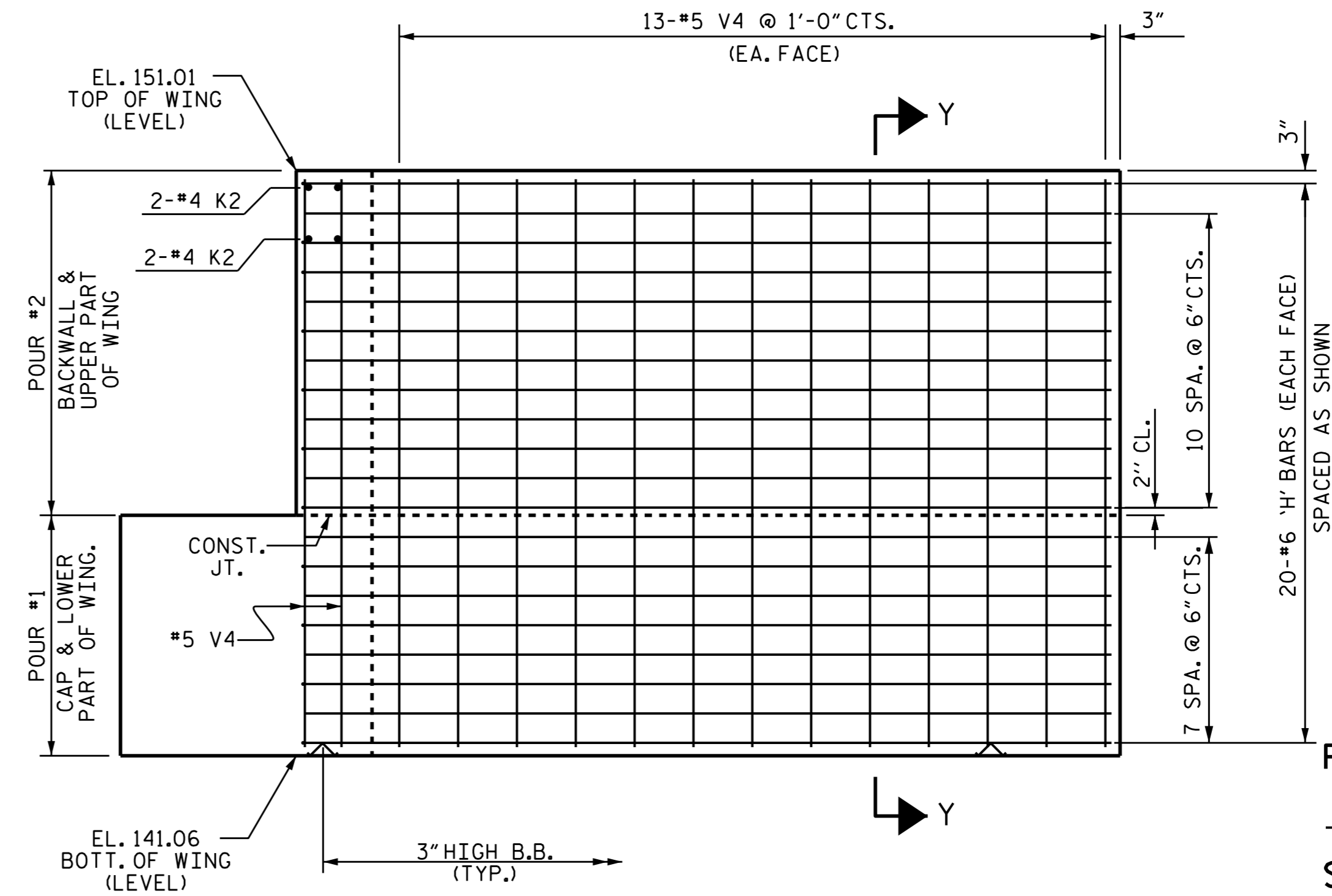


PLAN OF WING W2



ELEVATION OF WING W1

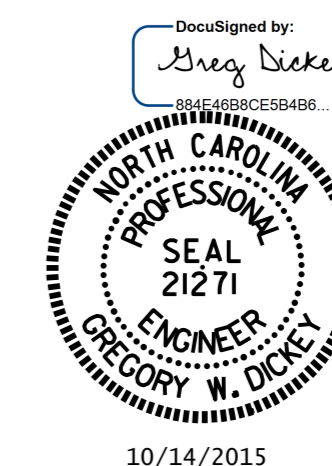
SECTION X-X



ELEVATION OF WING W2

PROJECT NO. I-3318BB
 JOHNSTON COUNTY
 STATION: 24+68.00 -L-

SHEET 4 OF 6



STATE OF NORTH CAROLINA DEPARTMENT OF TRANSPORTATION RALEIGH					
SUBSTRUCTURE END BENT #2 STAGE I					
REVISIONS					
NO.	BY:	DATE:	NO.	BY:	DATE:
1			3		
2			4		
					SHEET NO. S-64 TOTAL SHEETS 78

DRAWN BY: B.N.BARODAWALA DATE: 4-6-15
 CHECKED BY: DAVID GLADDEN DATE: 4-6-15
 DESIGN ENGINEER OF RECORD: ASHVIN PATEL DATE: 8-6-15