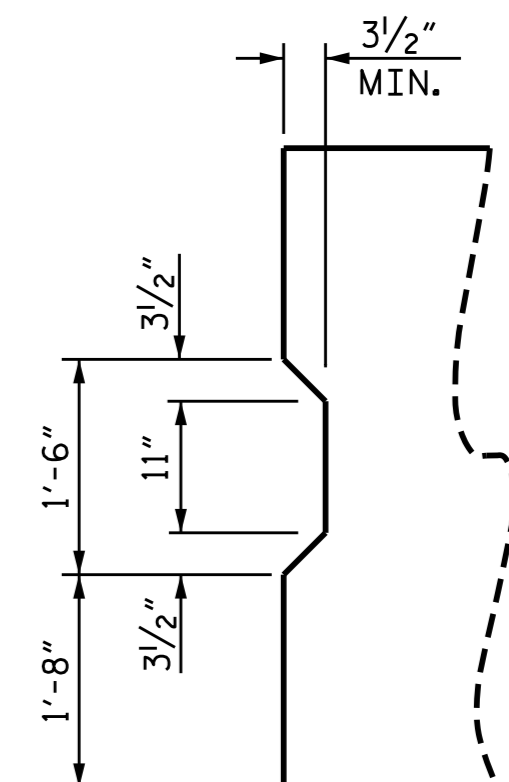
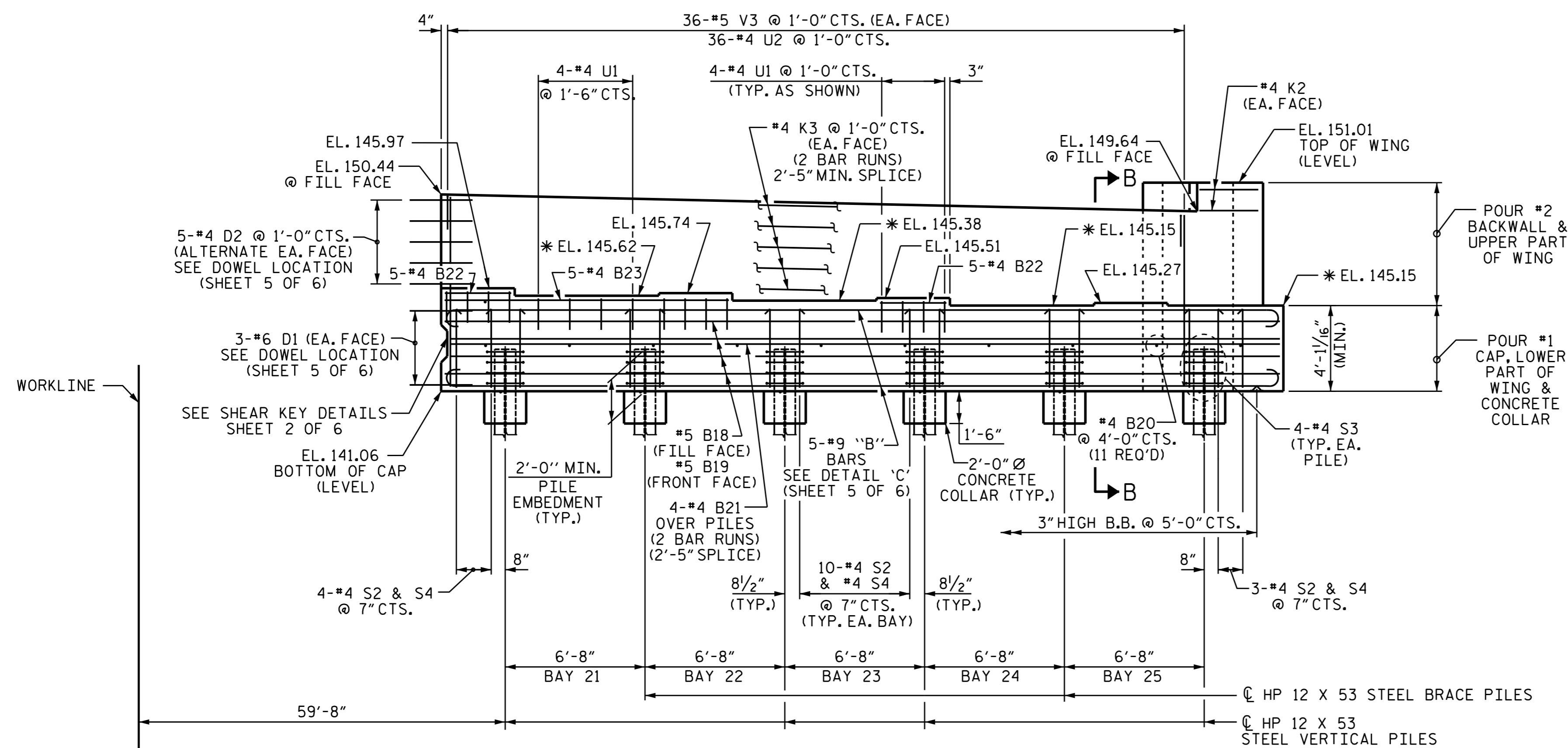


PLAN OF STAGE I (RIGHT SIDE)



SHEAR KEY DETAIL



ELEVATION OF STAGE I (RIGHT SIDE)

PROJECT NO. I-3318BB
JOHNSTON COUNTY
 STATION: 24+68.00 -L-

SHEET 2 OF 6

STATE OF NORTH CAROLINA
 DEPARTMENT OF TRANSPORTATION
 RALEIGH

SUBSTRUCTURE
 END BENT #2
 STAGE I
 (RIGHT SIDE)



DRAWN BY: B.N.BARODAWALA DATE: 4-6-15
 CHECKED BY: DAVID GLADDEN DATE: 4-6-15
 DESIGN ENGINEER OF RECORD: ASHVIN PATEL DATE: 8-6-15

REVISIONS						SHEET NO.
NO.	BY:	DATE:	NO.	BY:	DATE:	S-62
1			3			TOTAL SHEETS
2			4			78