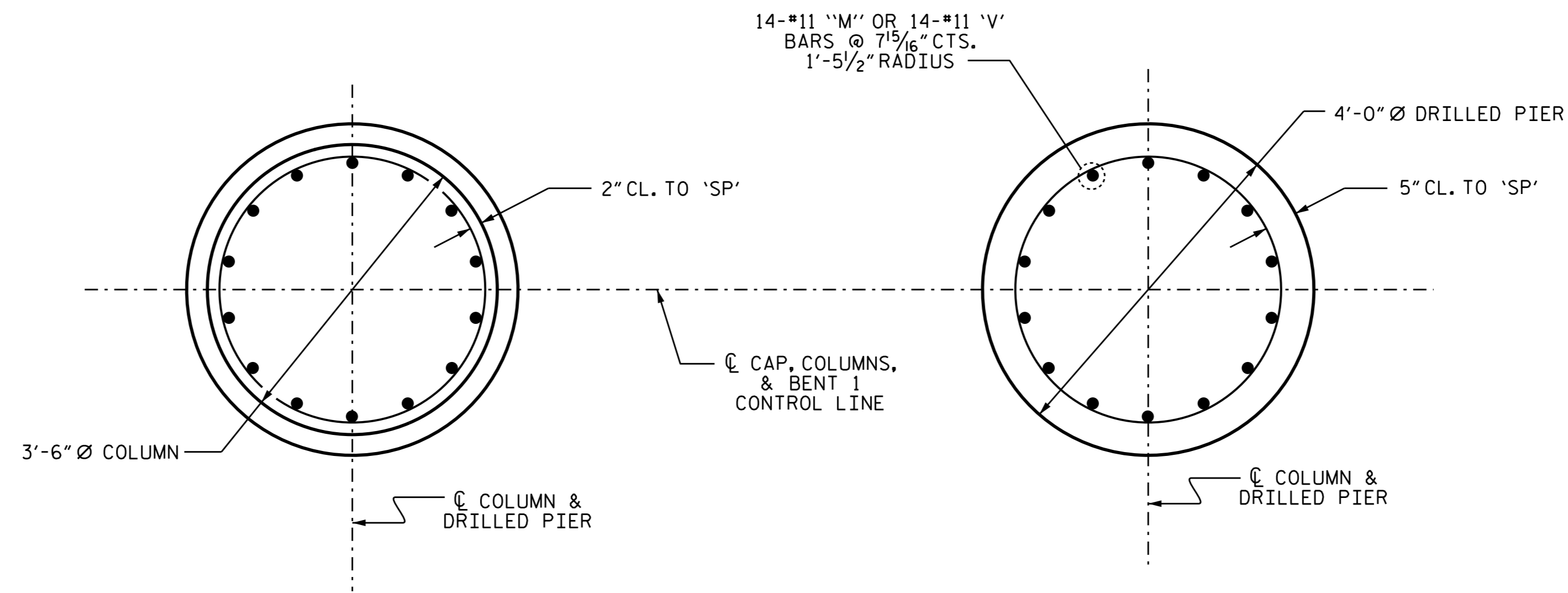


COLUMNS AND DRILLED PIERS LAYOUT (STAGE I AND STAGE II)



DETAILS OF COLUMNS AND DRILLED PIERS

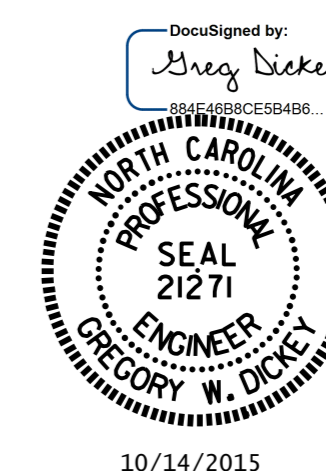
(DIMENSIONS AND REINFORCING STEEL ARE TYPICAL FOR EACH COLUMN, AND DRILLED PIERS.)

PROJECT NO. I-3318BB
JOHNSTON COUNTY
 STATION: 24+68.00 -L-

SHEET 4 OF 5

STATE OF NORTH CAROLINA
 DEPARTMENT OF TRANSPORTATION
 RALEIGH

BENT #1
STAGE I & II



DRAWN BY: B. N. BARODAWALA DATE: 4-22-15
 CHECKED BY: D. G. ELY DATE: 6-3-15
 DESIGN ENGINEER OF RECORD: M. AHMED DATE: 8-6-15

REVISIONS						SHEET NO.
NO.	BY:	DATE:	NO.	BY:	DATE:	S-54
1			3			TOTAL SHEETS
2			4			78