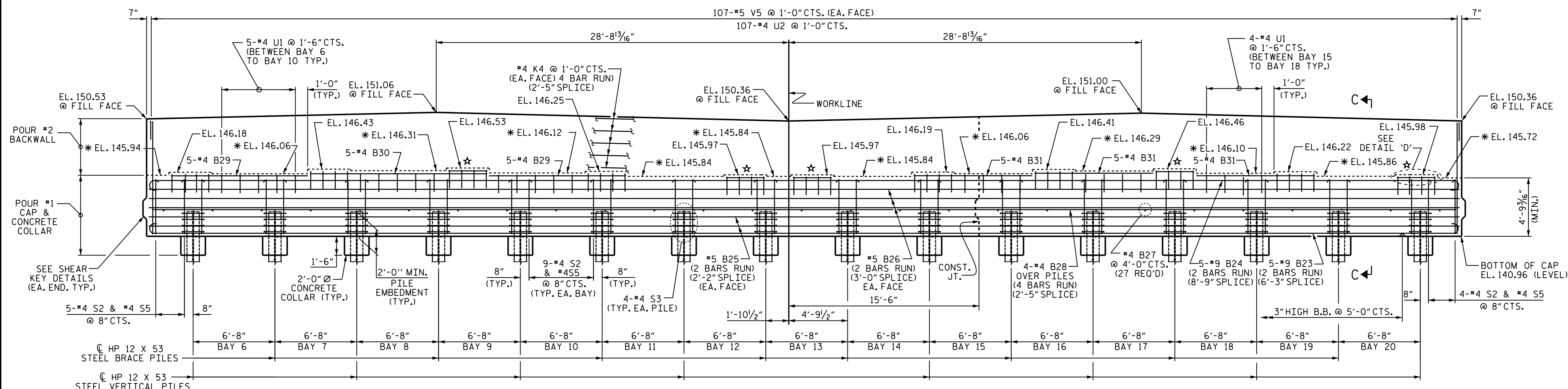
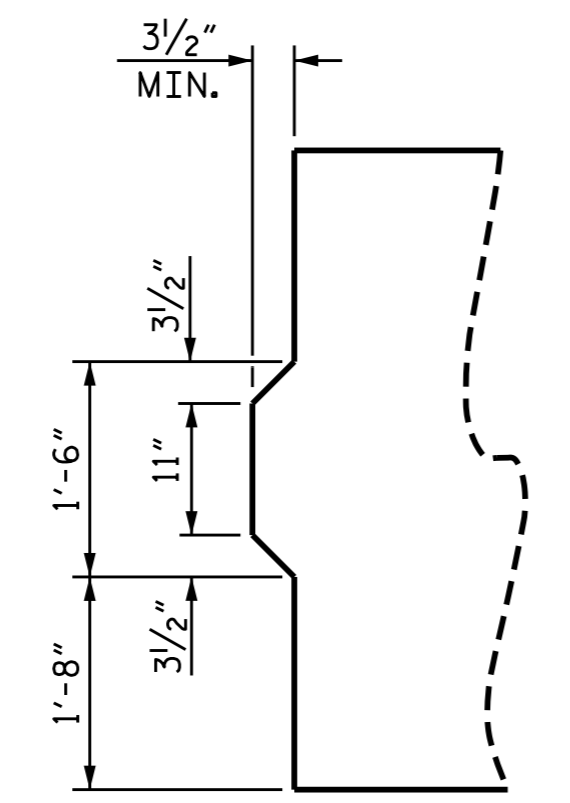


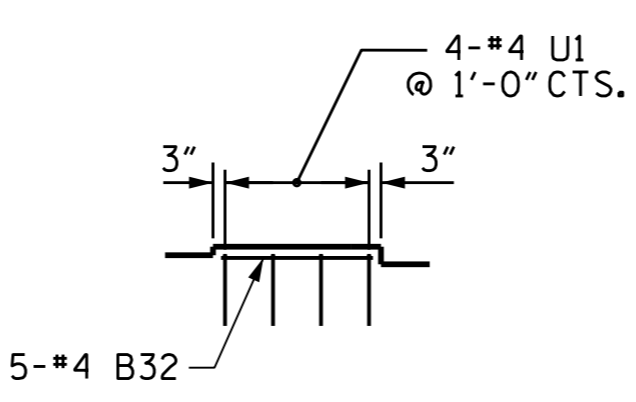
PLAN - STAGE II



ELEVATION - STAGE II



SHEAR KEY DETAIL

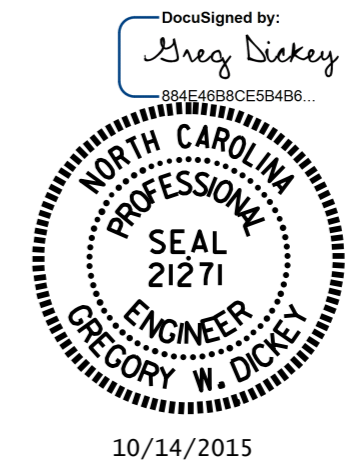


*DETAIL 'D'

PROJECT NO. I-3318BB
JOHNSTON COUNTY
 STATION: 24+68.00 -L-

SHEET 3 OF 6

STATE OF NORTH CAROLINA DEPARTMENT OF TRANSPORTATION RALEIGH					
SUBSTRUCTURE					
END BENT #1 STAGE II					
REVISIONS					
NO.	BY:	DATE:	NO.	BY:	DATE:
1			3		
2			4		
					SHEET NO. S-47
					TOTAL SHEETS 78



DRAWN BY: B.N. BARODAWALA DATE: 4-6-15
 CHECKED BY: DAVID GLADDEN DATE: 4-6-15
 DESIGN ENGINEER OF RECORD: ASHVIN PATEL DATE: 8-6-15