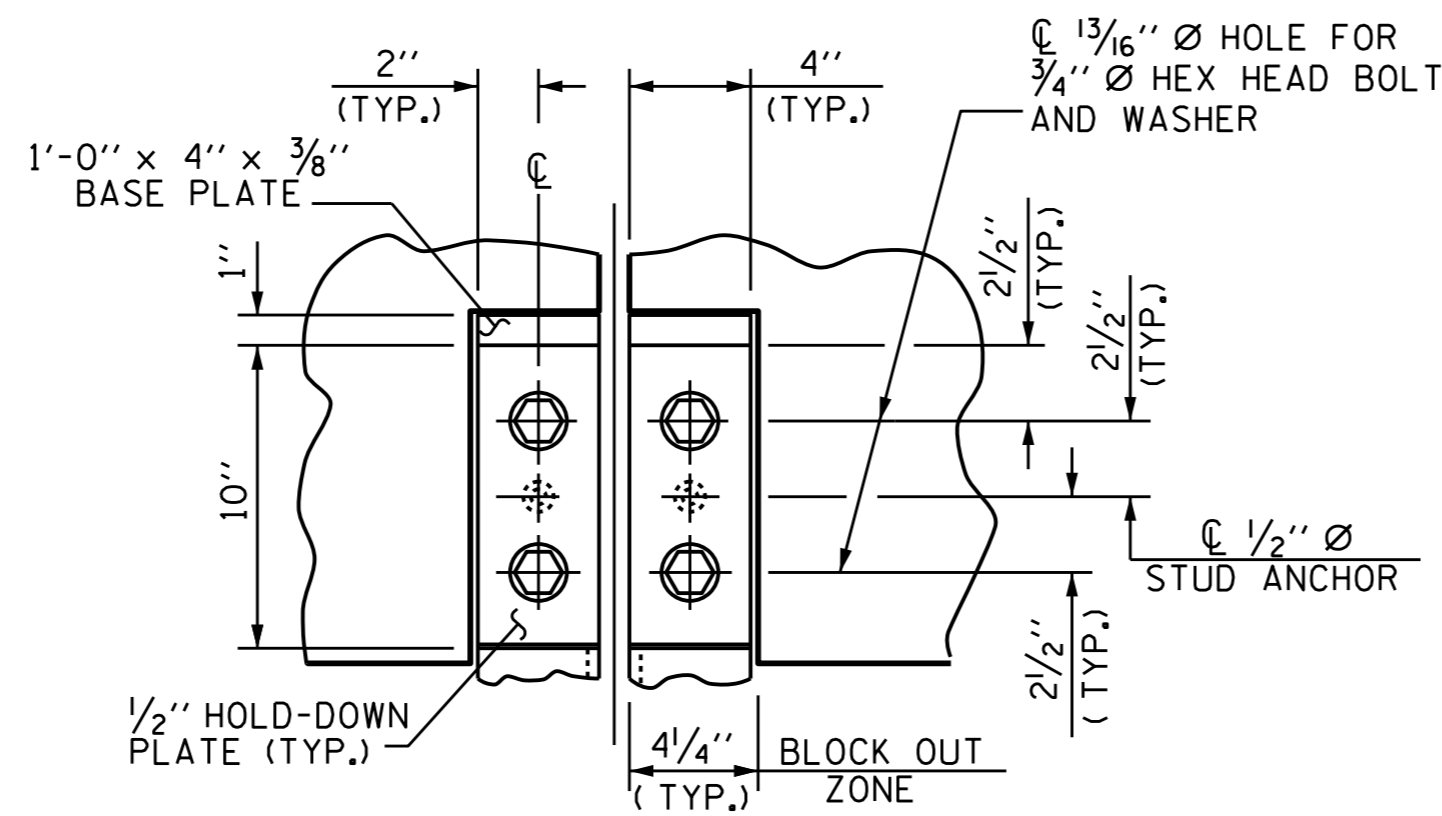
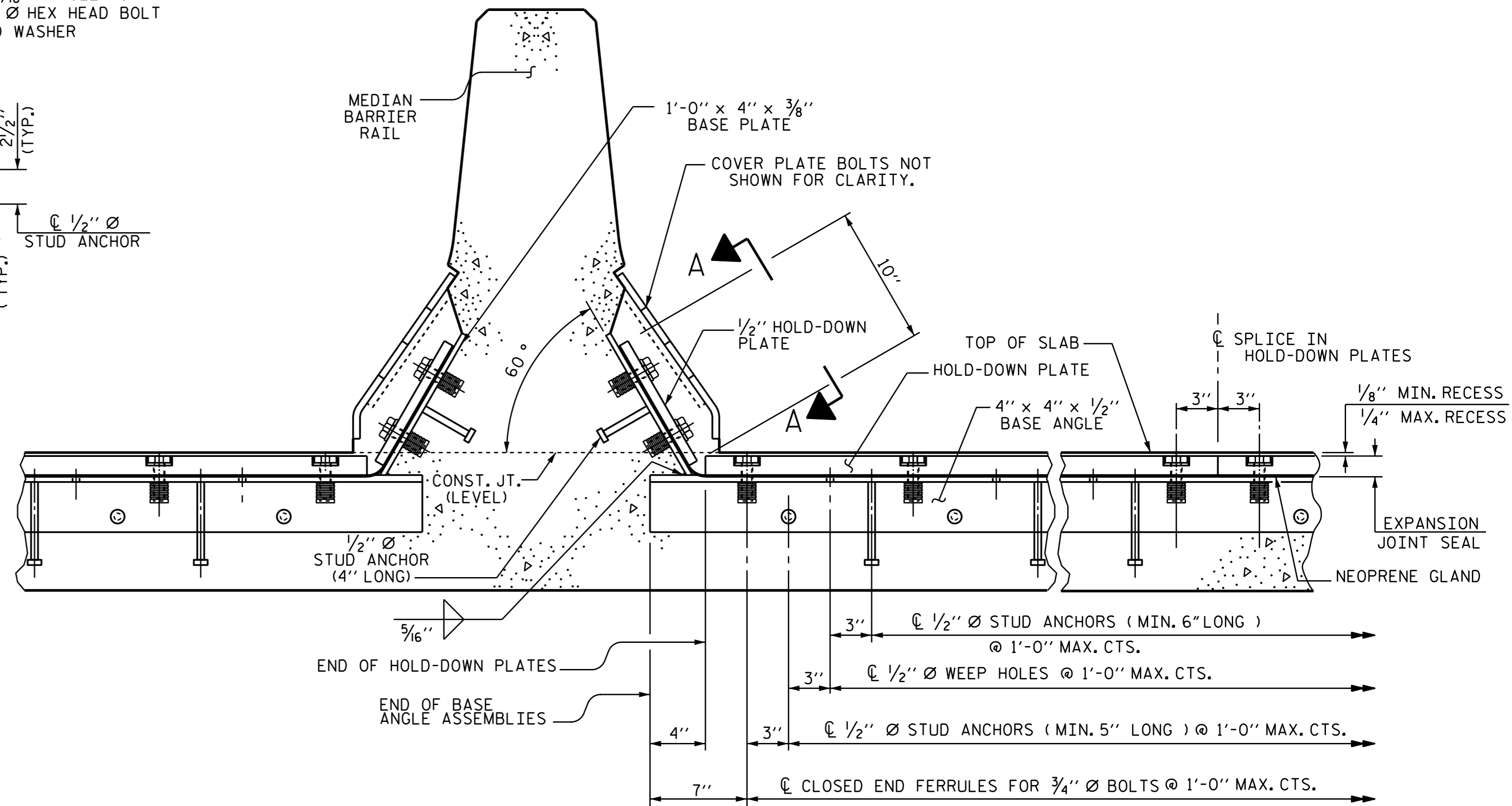


**BLOCK OUT DETAIL**

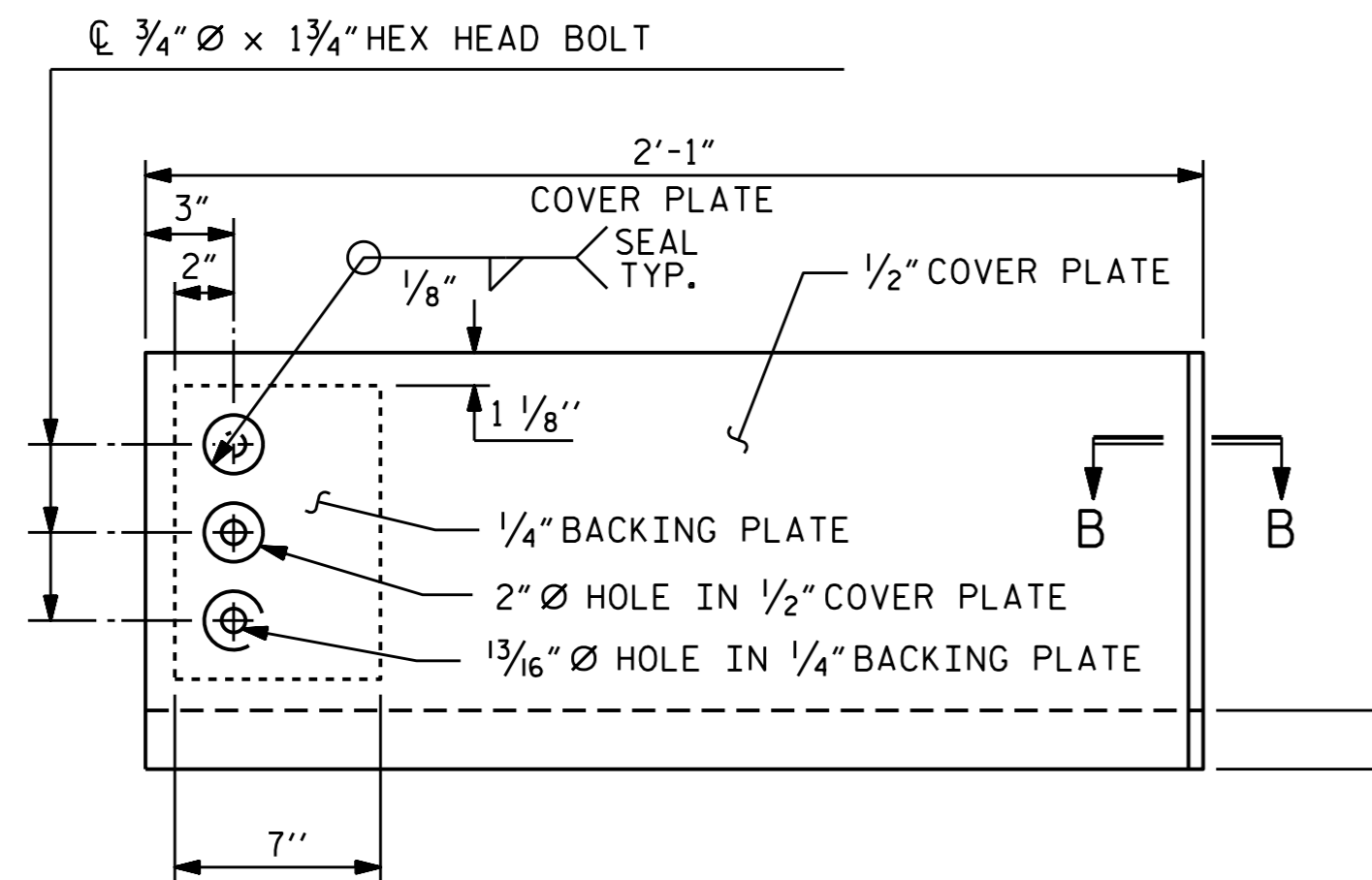
SEE "SECTION A - A" FOR OTHER DETAILS.



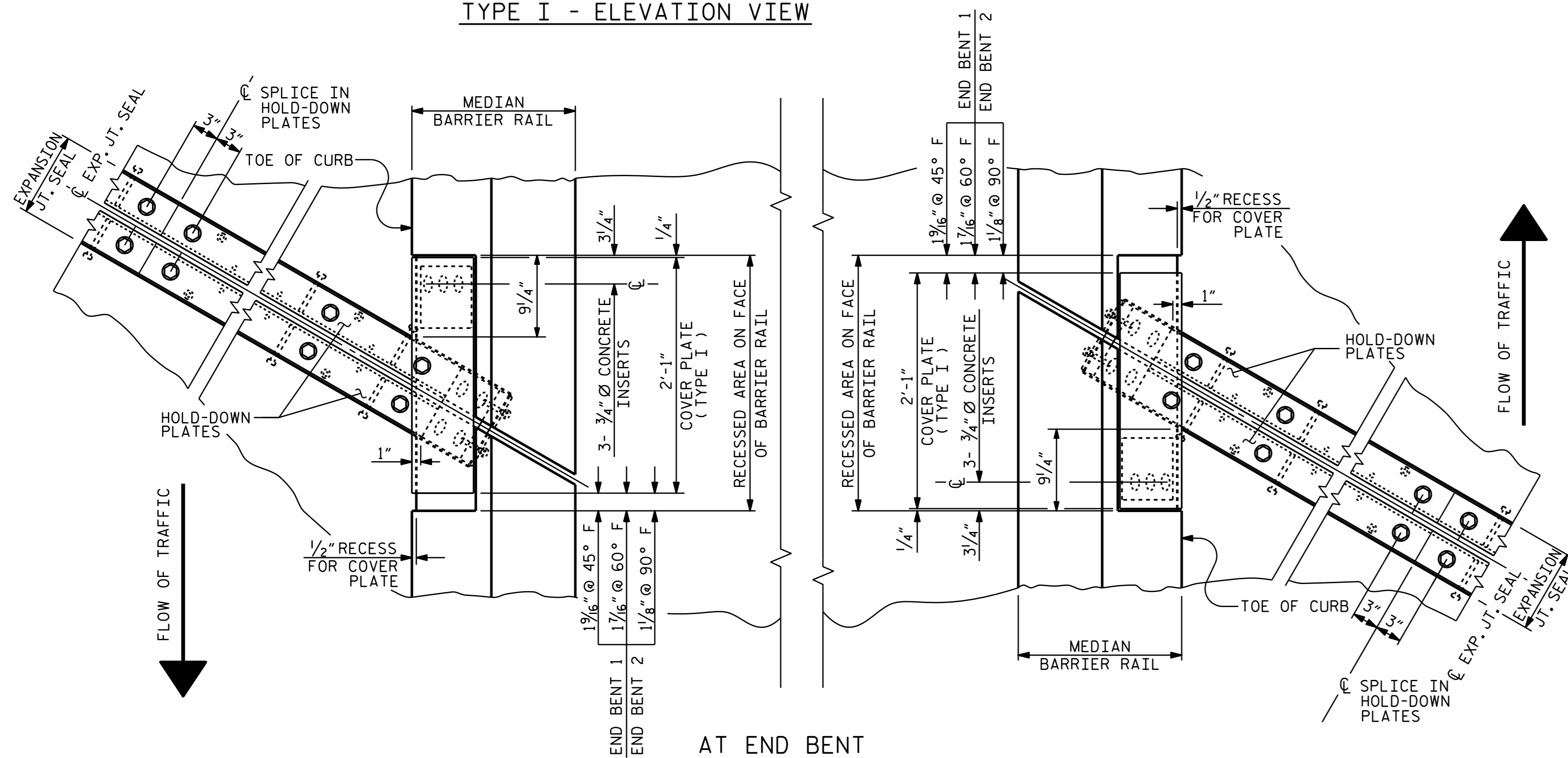
**SECTION A-A**



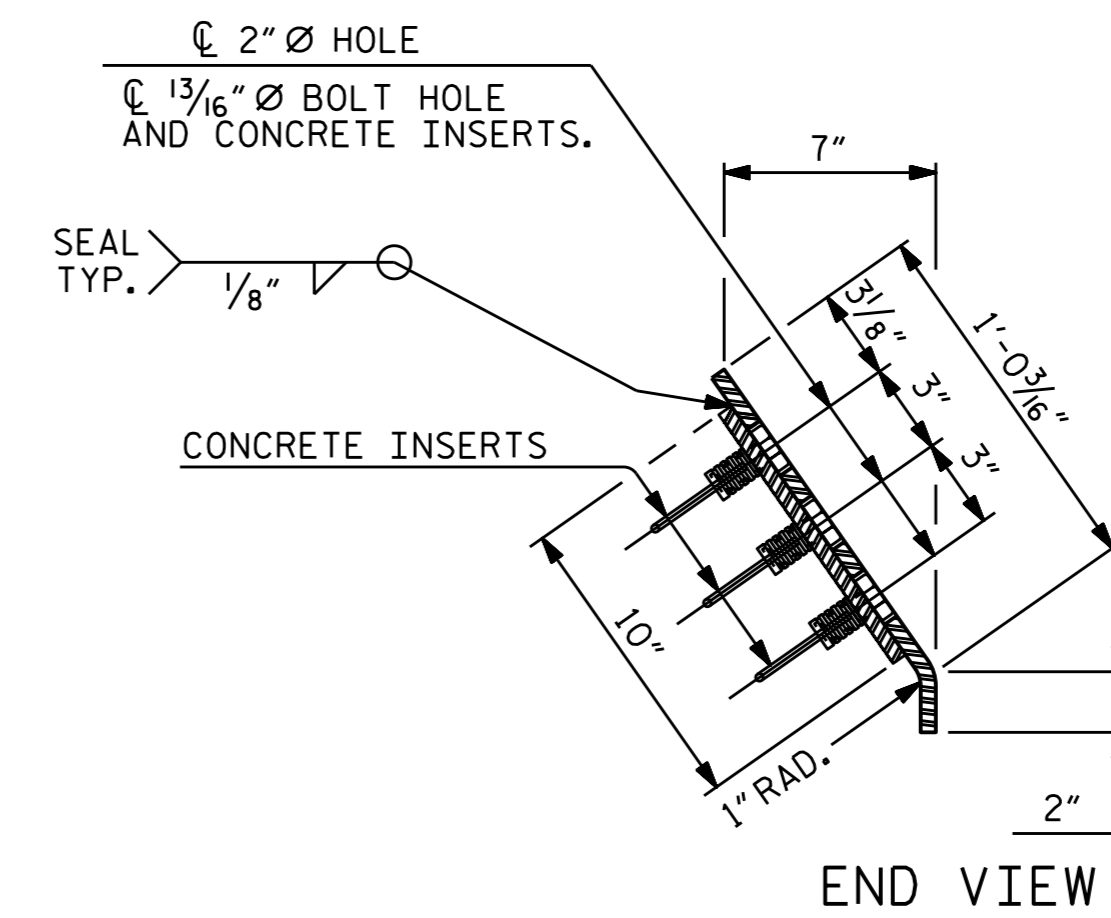
**SECTION THRU RAIL NORMAL TO JOINT**



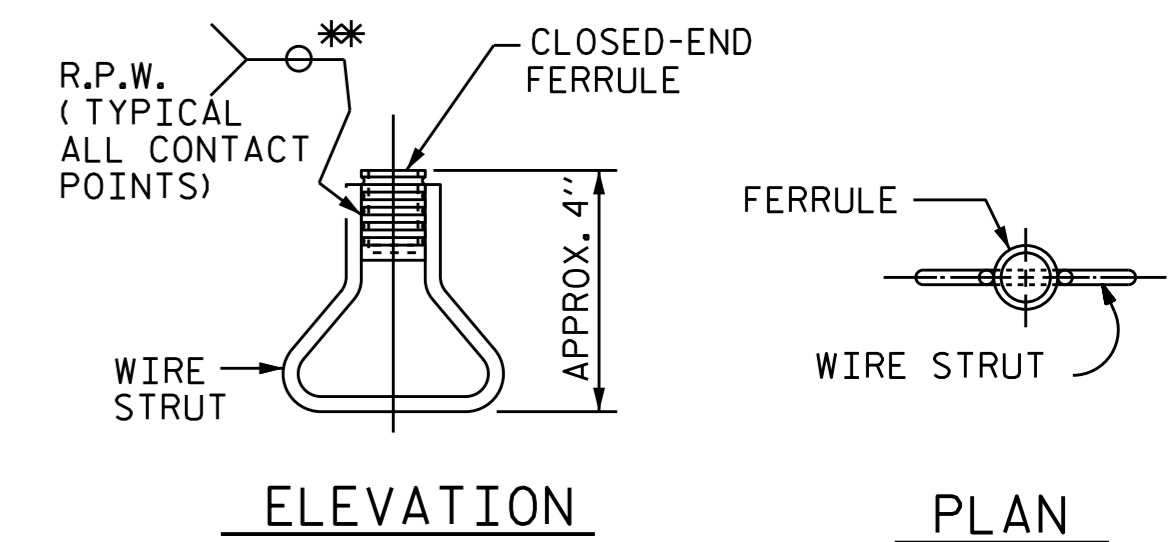
**TYPE I - ELEVATION VIEW**



**PLAN OF EXPANSION JOINT SEAL**



**END VIEW**



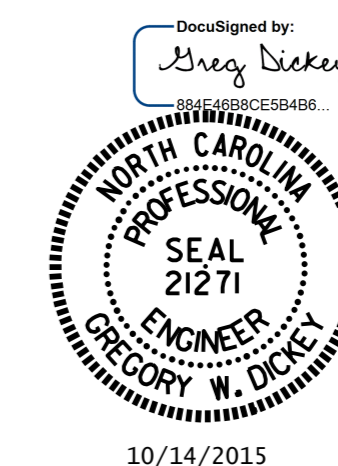
**ELEVATION PLAN**

**CONCRETE INSERT**

\* EACH WELDED ATTACHMENT OF WIRE TO FERRULE SHALL DEVELOP THE TENSILE STRENGTH OF THE WIRE.

PROJECT NO. I-3318BB  
 JOHNSTON COUNTY  
 STATION: 24+68.00 -L-

SHEET 3 OF 3



ASSEMBLED BY : D. G. ELY DATE : 3/31/15  
 CHECKED BY : B. N. BARODAWALA DATE : 5/15

REVISIONS						SHEET NO. S-41
NO.	BY:	DATE:	NO.	BY:	DATE:	
1			3			TOTAL SHEETS 78
2			4			