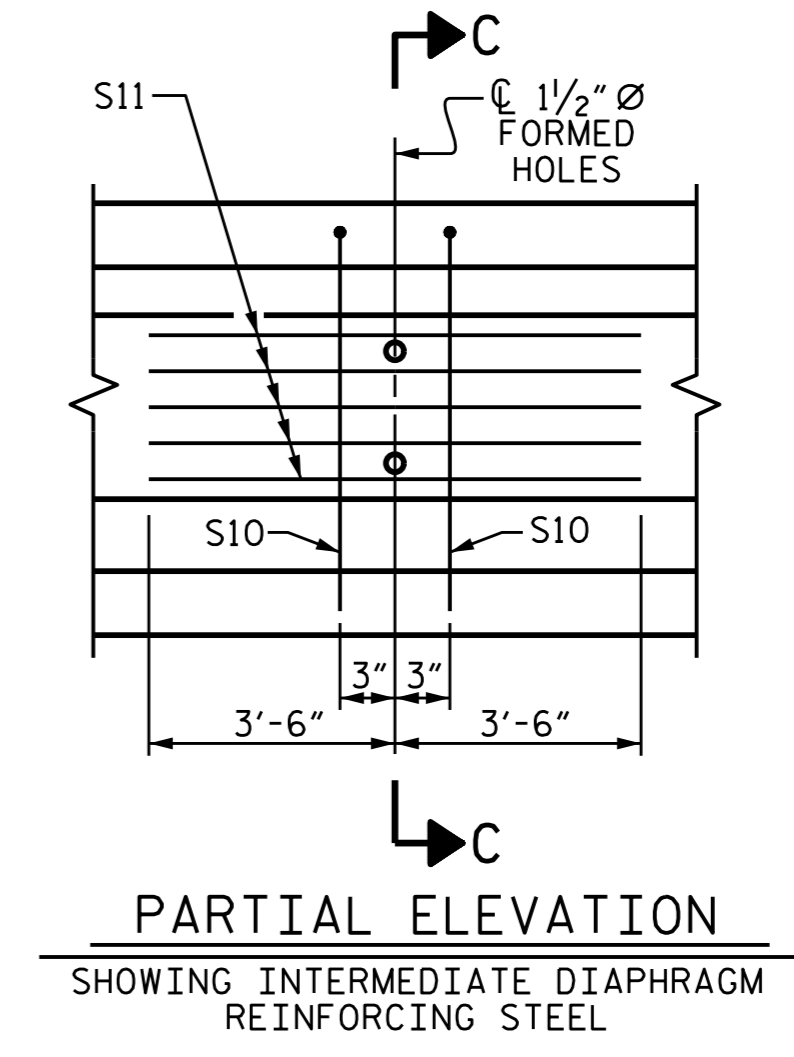
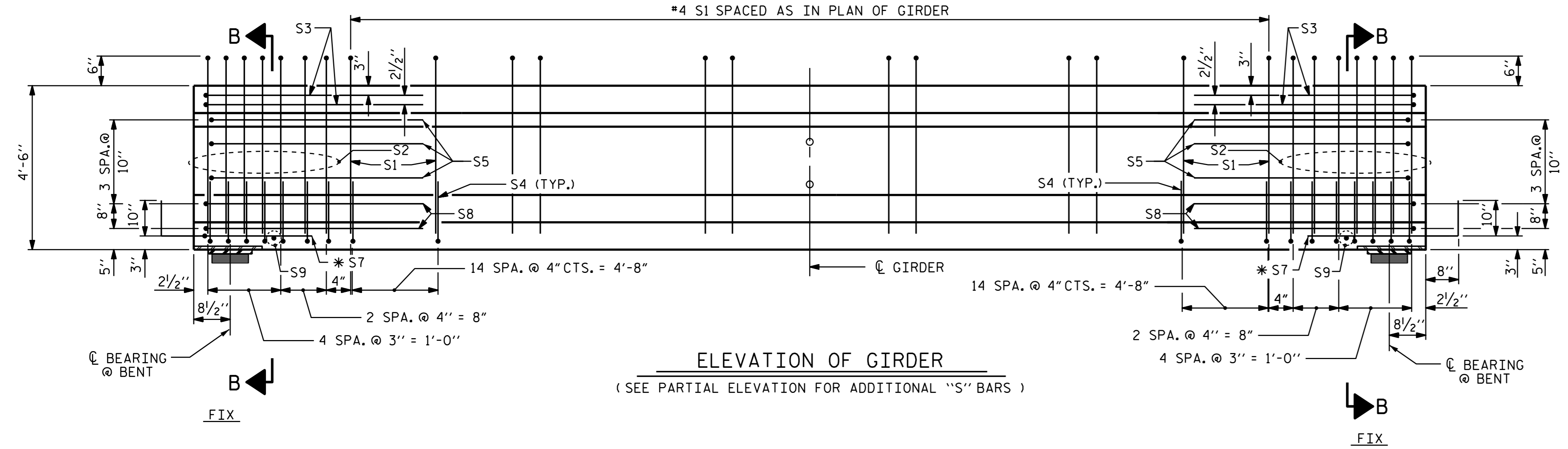
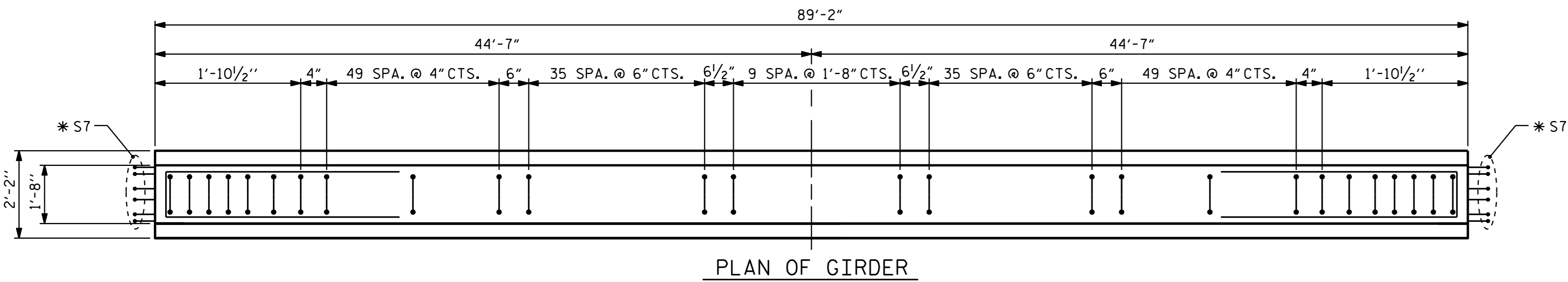
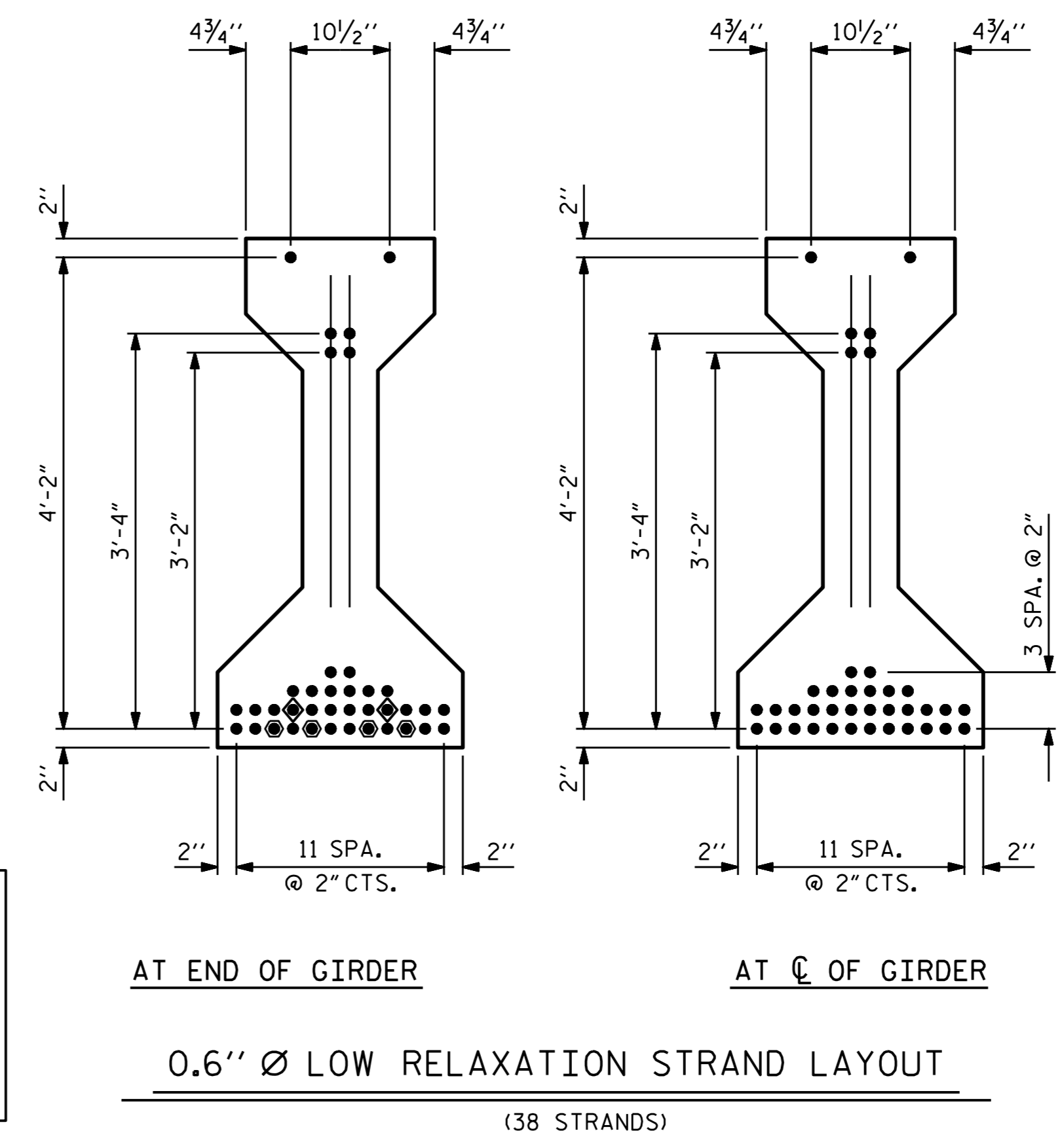
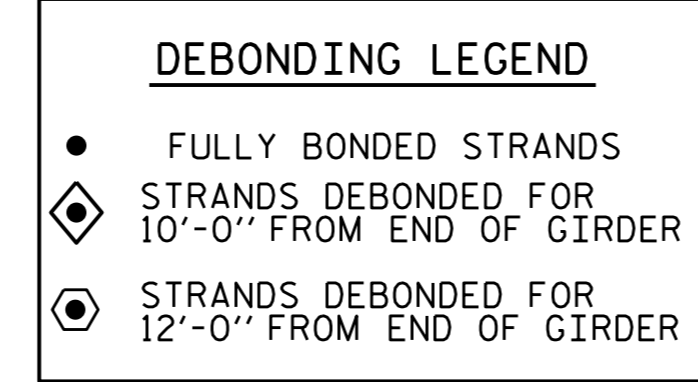


* FOR S7 BARS, SEE
DETAIL "A" OF
"PRESTRESSED
CONCRETE GIRDER
CONTINUOUS FOR LIVE
LOAD DETAILS" SHEET



0.6" Ø L. R. GRADE 270 STRANDS

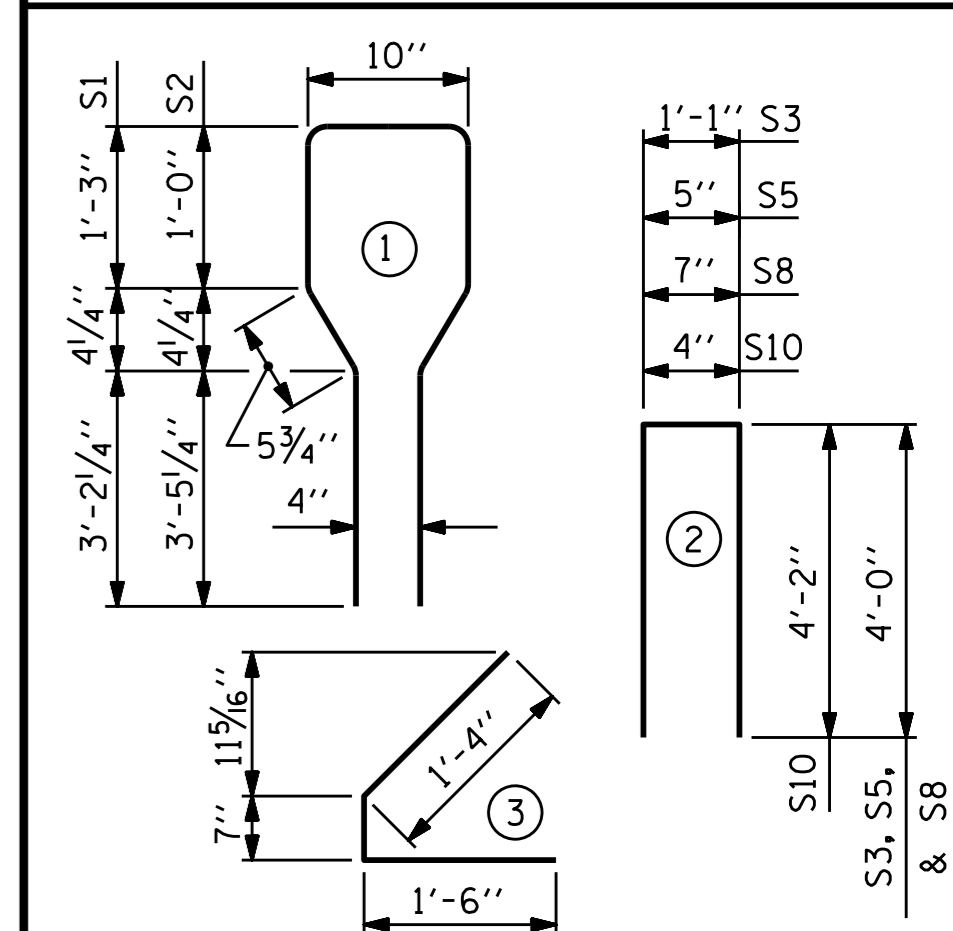
AREA (SQUARE INCHES)	ULTIMATE STRENGTH (LBS. PER STRAND)	APPLIED PRESTRESS (LBS. PER STRAND)
0.217	58,600	43,950

REINFORCING STEEL FOR ONE GIRDER

BAR	NUMBER	SIZE	TYPE	LENGTH	WEIGHT
S1	182	#4	1	10'-8"	1297
S2	14	#6	1	10'-8"	224
S3	4	#4	2	9'-1"	24
S4	88	#4	3	3'-5"	201
S5	6	#4	2	8'-5"	34
*S7	12	#5	STR	3'-8"	46
S8	4	#4	2	8'-7"	23
S9	2	#3	STR	1'-10"	1
S10	2	#5	2	8'-8"	18
S11	5	#4	STR	7'-0"	23

* NOTE: S7 BARS SHALL BE BENT BEFORE SHIPMENT. HEAT BENDING SHALL NOT BE ALLOWED.

BAR TYPES
ALL BAR DIMENSIONS ARE OUT-TO-OUT



QUANTITIES FOR ONE GIRDER

	REINFORCING STEEL	8500 PSI CONCRETE	0.6" Ø L. R. STRANDS
	LB.	C.Y.	No.
SPAN B	1891	18.1	38

GIRDERS REQUIRED

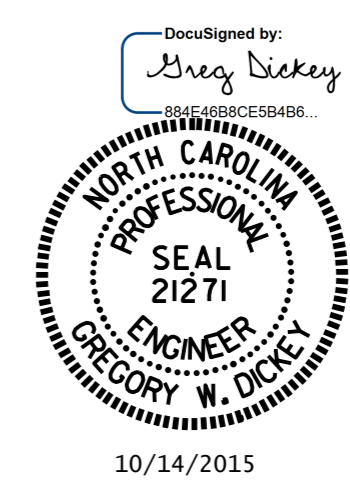
STAGE	NUMBER	LENGTH	TOTAL LENGTH
I	8	89'-2"	713'-4"
II	11	89'-2"	980'-10"

PROJECT NO. I-3318BB
JOHNSTON COUNTY
STATION: 24+68.00 -L-

SHEET 2 OF 4

STATE OF NORTH CAROLINA
DEPARTMENT OF TRANSPORTATION
RALEIGH

STANDARD
AASHTO TYPE IV
PRESTRESSED CONCRETE GIRDER
CONTINUOUS FOR LIVE LOAD
(SPAN B)



ASSEMBLED BY: D. G. ELY DATE: 10/8/14
CHECKED BY: B. N. BARODAWALA DATE: 5/15
DESIGN ENGINEER OF RECORD: M. L. RORIE DATE: 8/15

DRAWN BY: ELR 8/91 REV. 10/17/00R RWW/LES
CHECKED BY: GRP 8/91 REV. 5/1/06R TLA/GM
REV. 10/1/11 MAA/GM