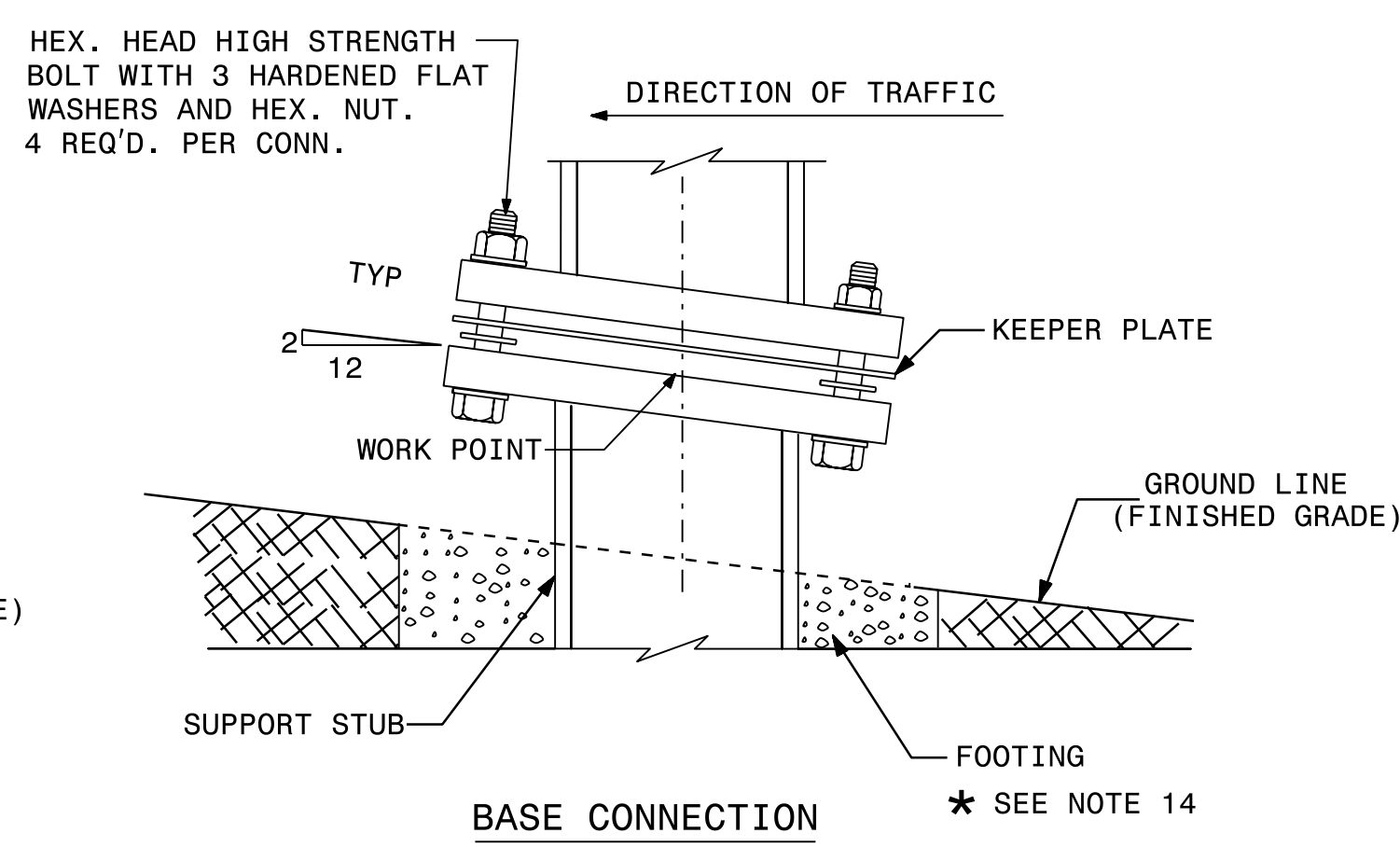
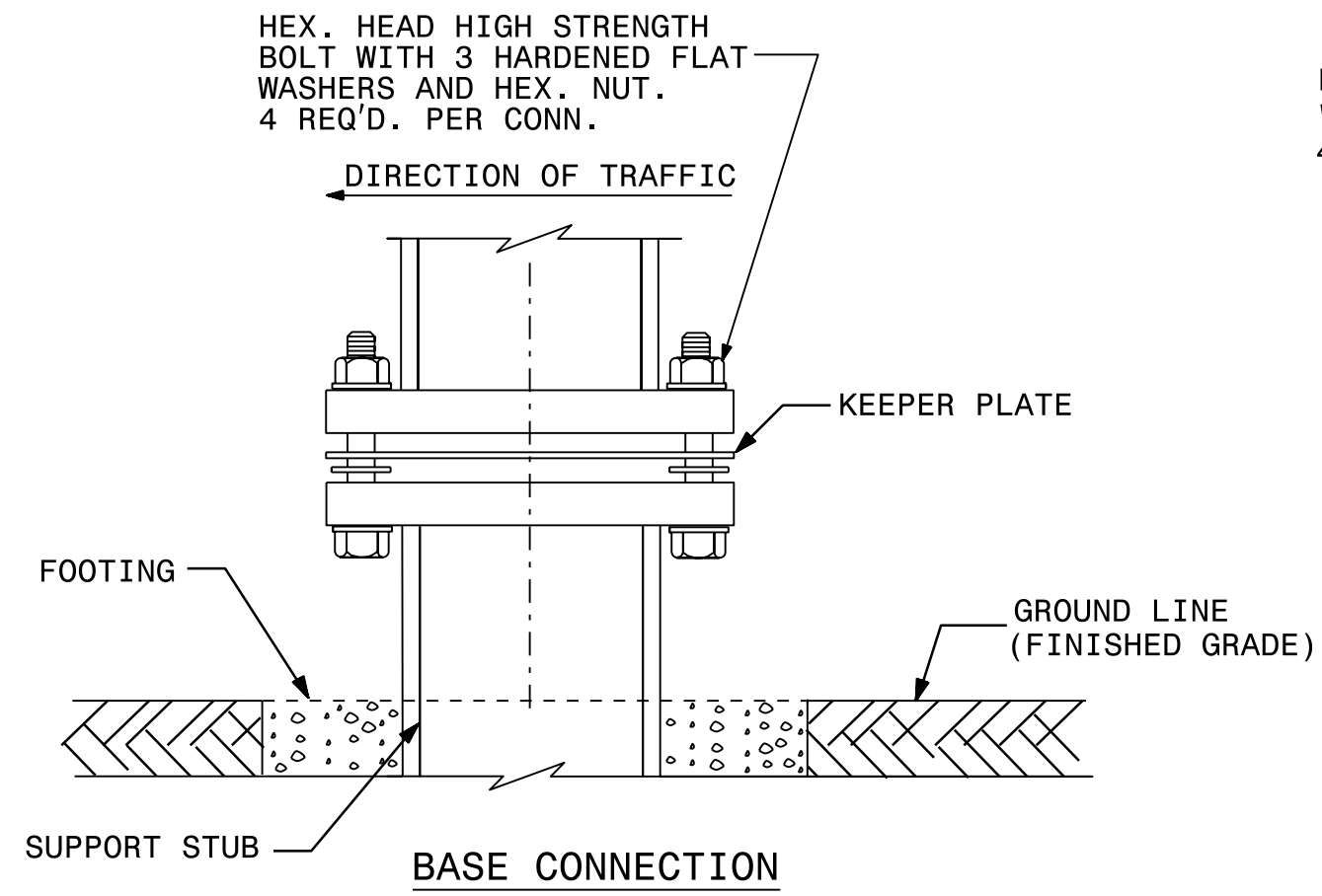
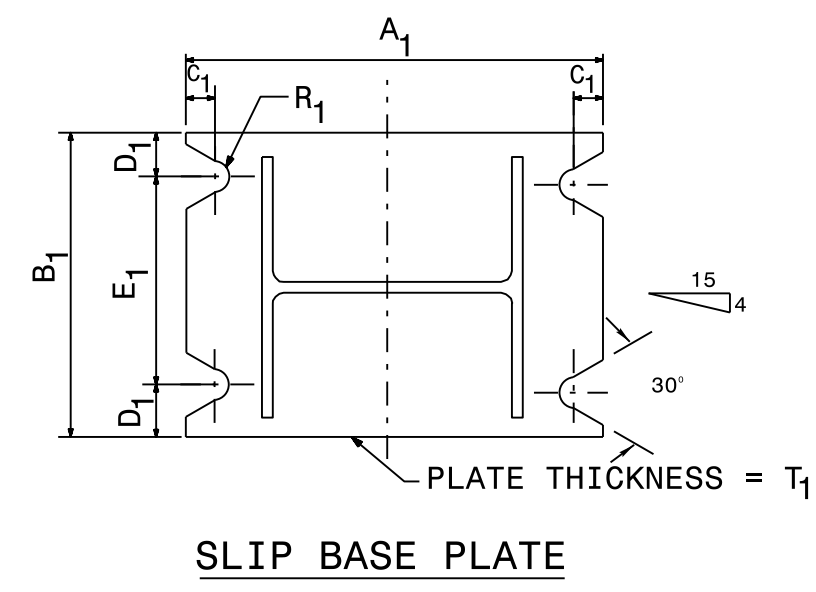
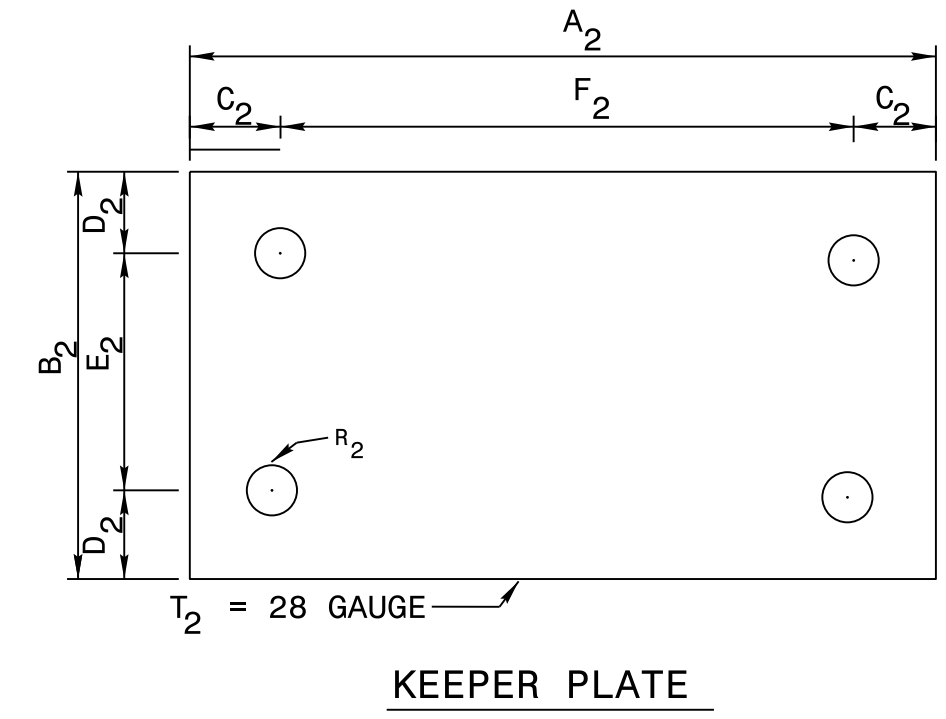
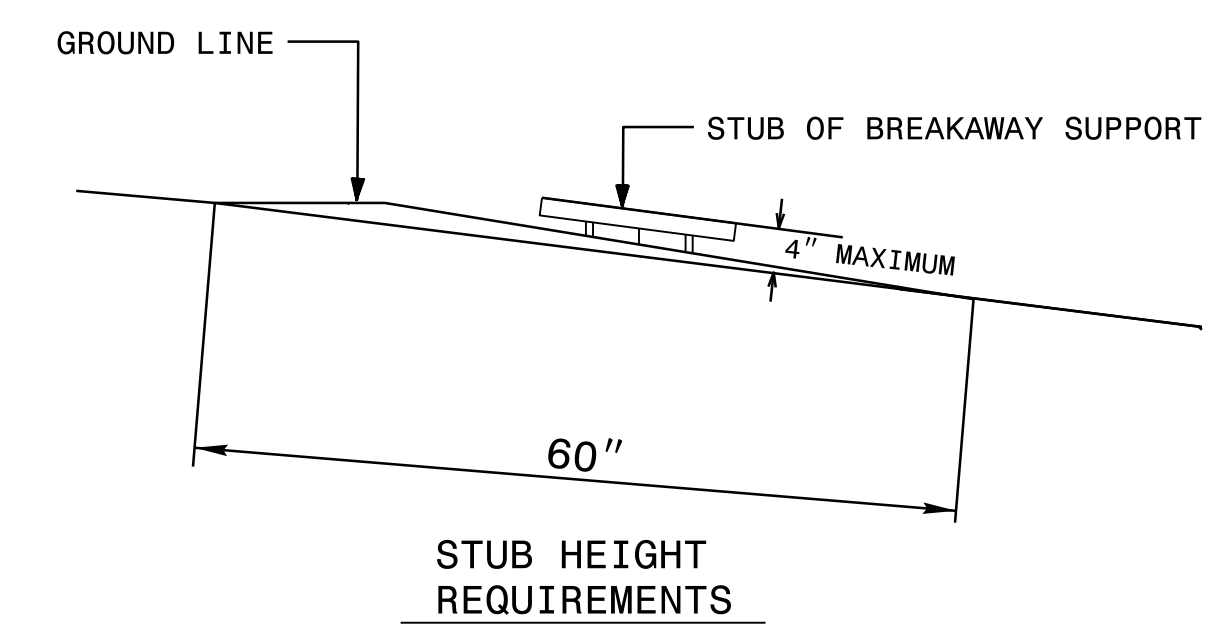
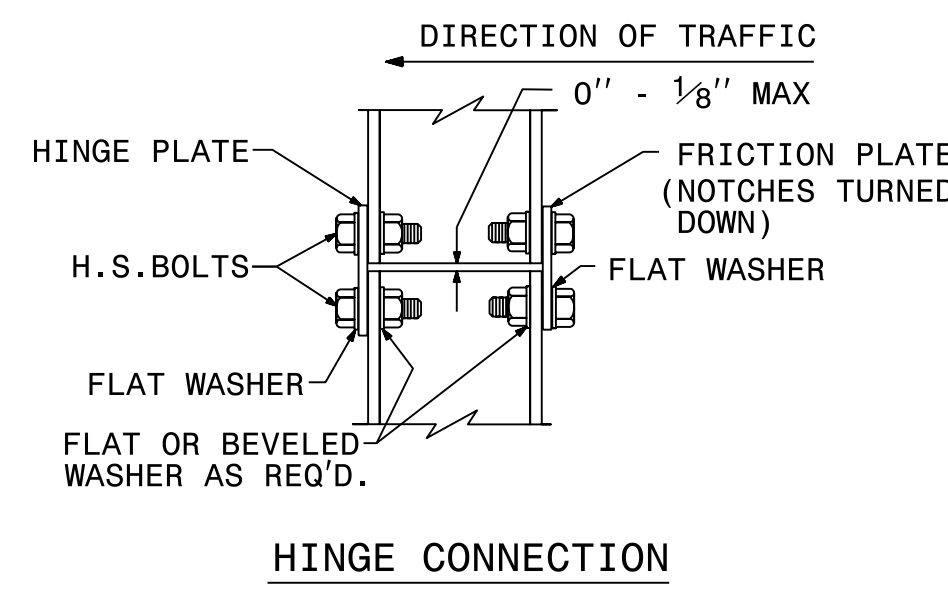
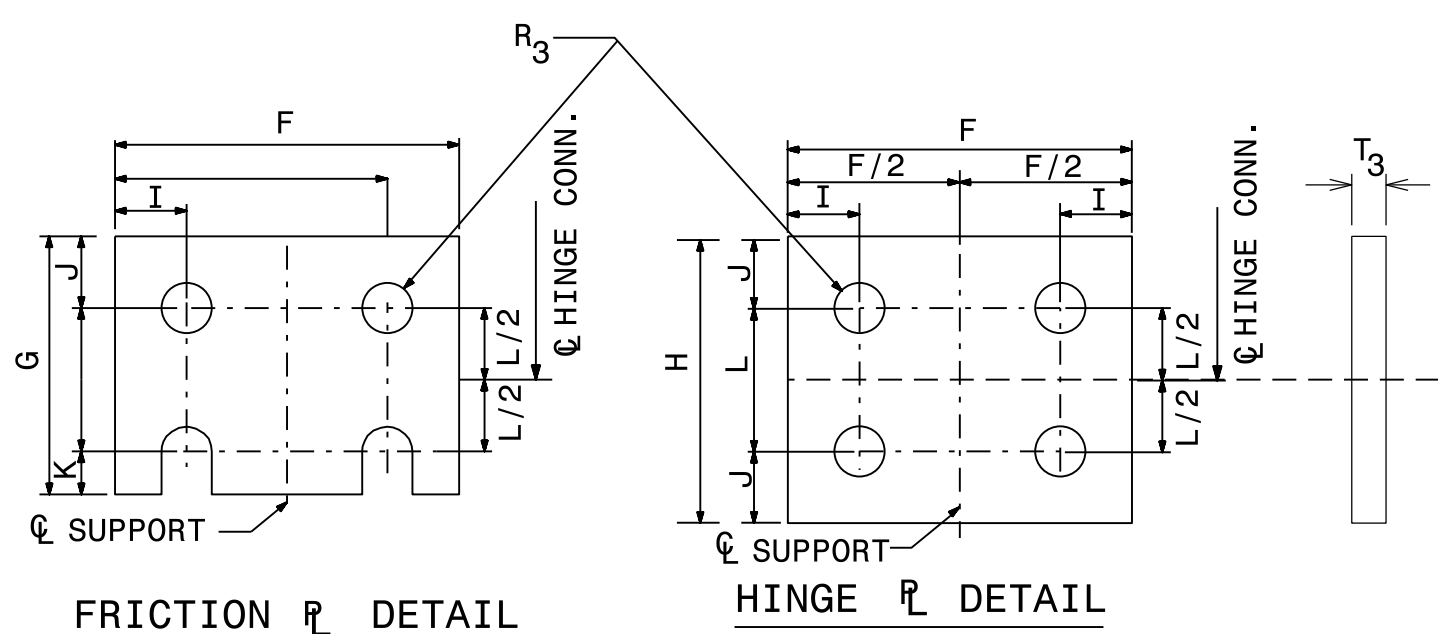
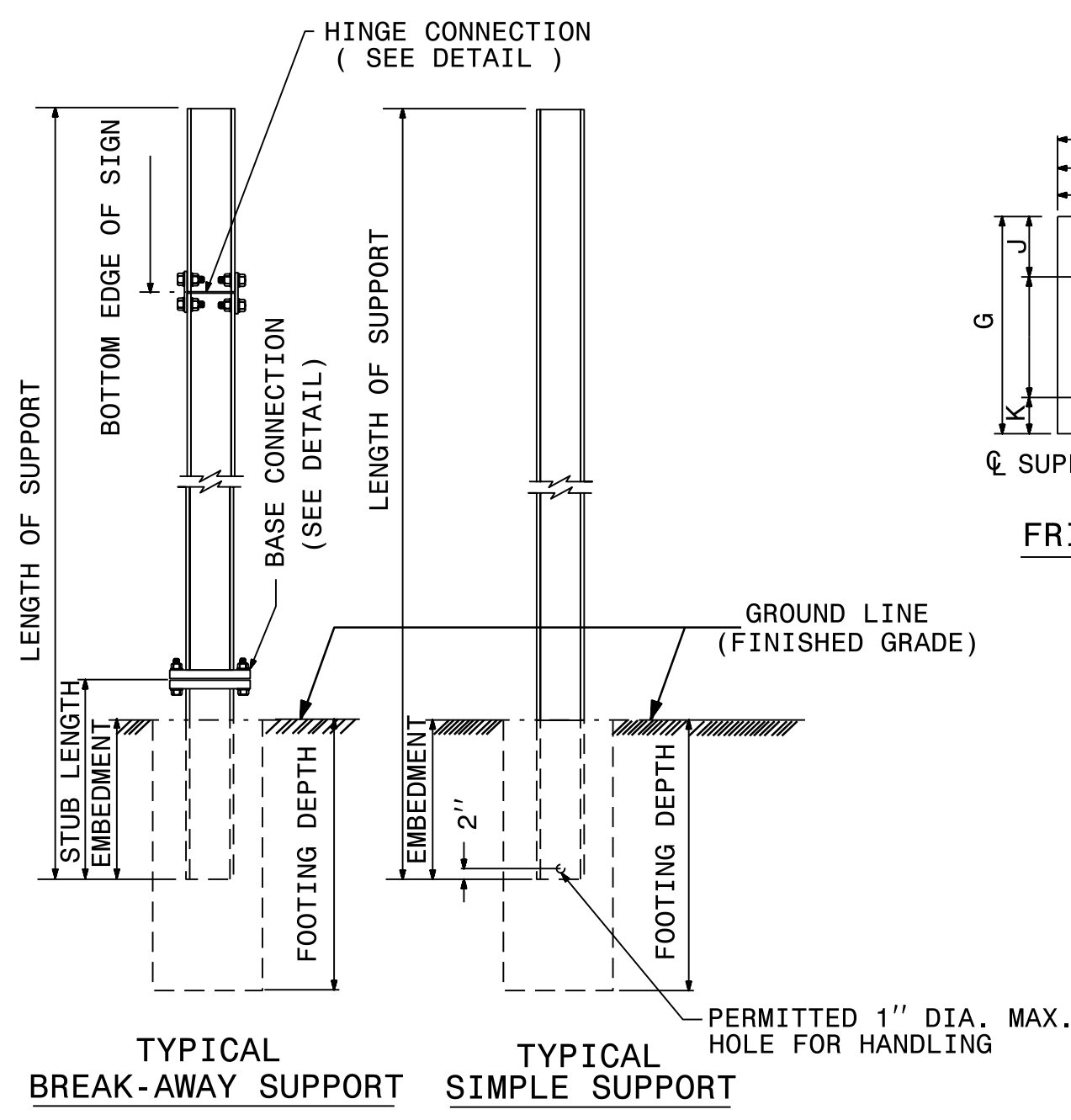


STATE OF NORTH CAROLINA
DEPT. OF TRANSPORTATION
DIVISION OF HIGHWAYS
RALEIGH, N.C.

1-12

ENGLISH STANDARD DRAWING FOR
GROUND MOUNTED SIGN SUPPORTS

SHEET 1 OF 3
903D10



SEE SHEET 2 OF 3 FOR
BASE CONNECTION DATA
HINGE CONNECTION DATA
& FOUNDATION DATA.
SEE SHEET 3 OF 3 FOR
GENERAL NOTES.

STATE OF NORTH CAROLINA
DEPT. OF TRANSPORTATION
DIVISION OF HIGHWAYS
RALEIGH, N.C.

1-12

ENGLISH STANDARD DRAWING FOR
GROUND MOUNTED SIGN SUPPORTS

SHEET 1 OF 3
903D10

I:\3318BB\EN\Tr\ref\c\Signing\CADD\Quantities & GM_Signs\13318bb_sgn_tsh.dgn
 11/15/2015 10:44
 P:\V\p\Projects\13318BB\EN\Tr\ref\c\Signing\CADD\Quantities & GM_Signs\13318bb_sgn_tsh.dgn
 11/15/2015 10:44