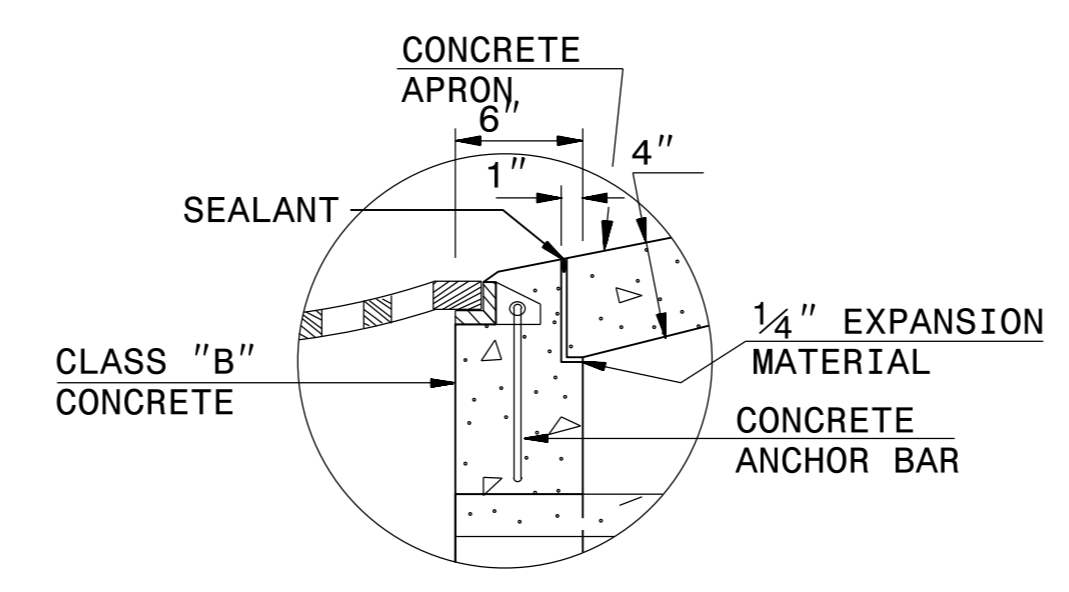


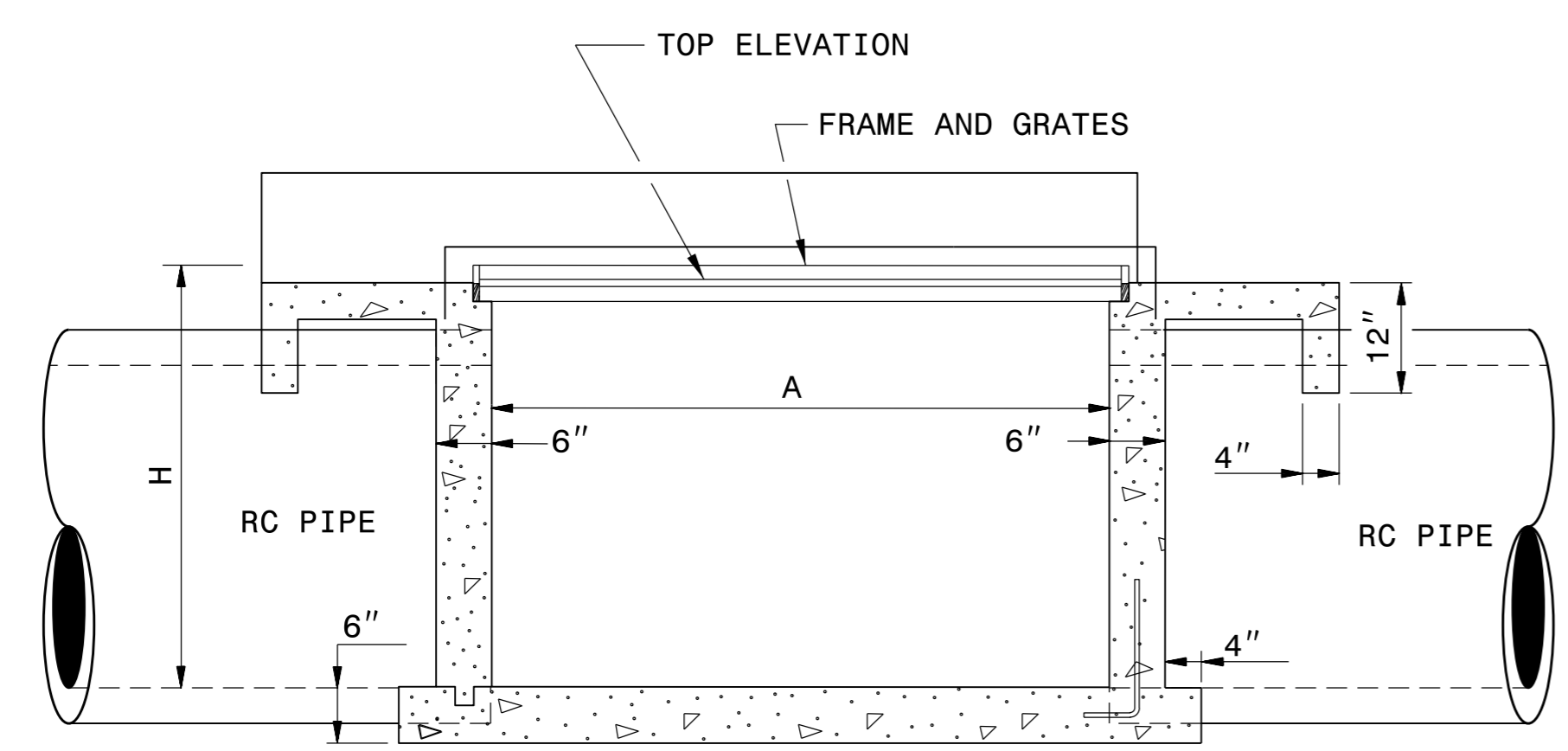
PLAN



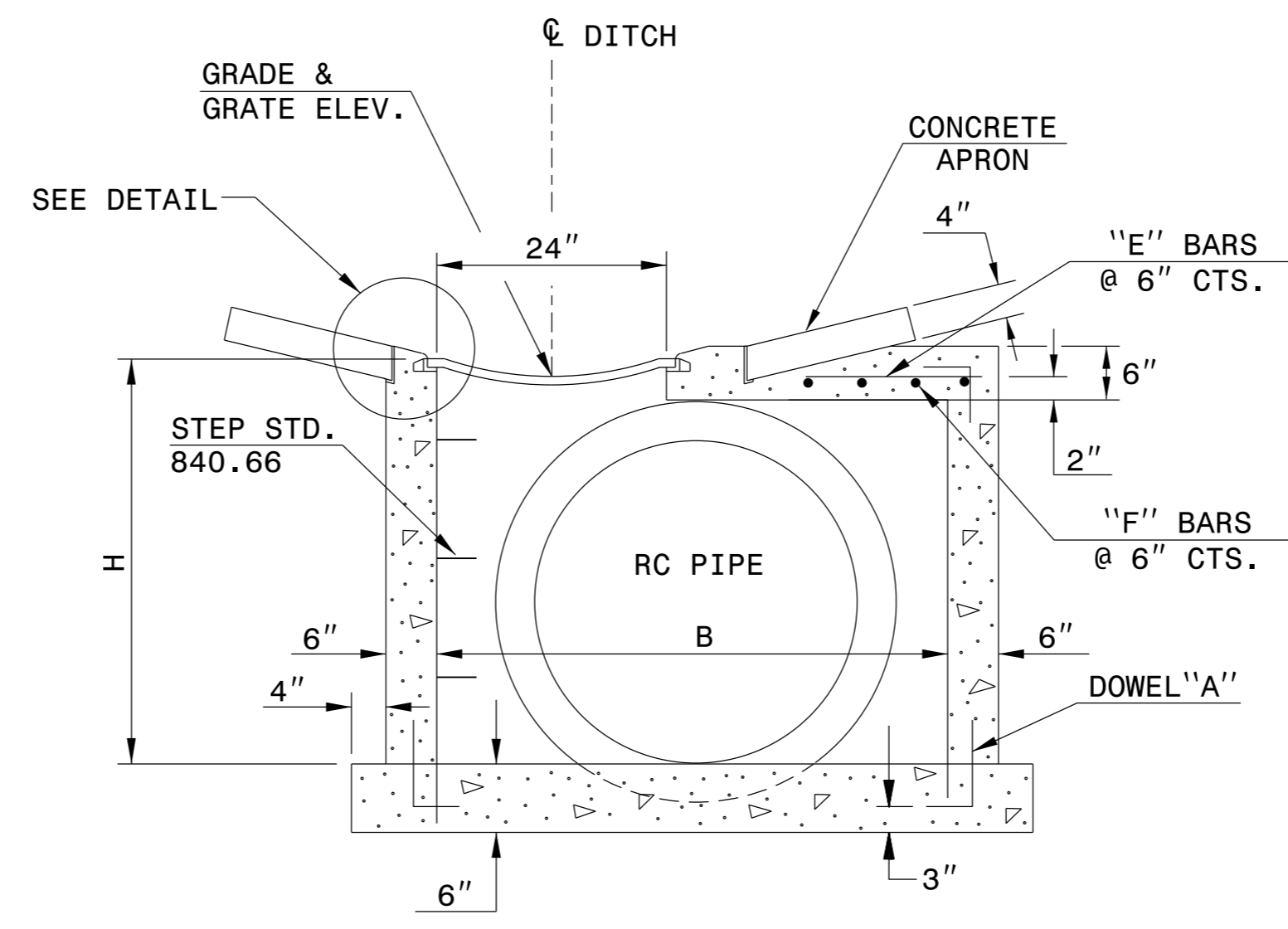
DETAIL
(APRON SUPPORT NOTCH)

GENERAL NOTES:

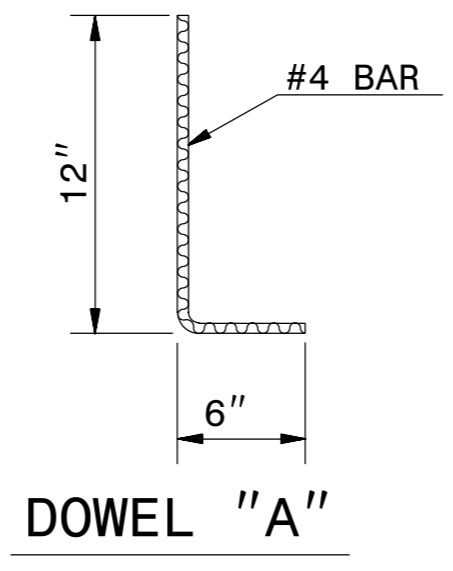
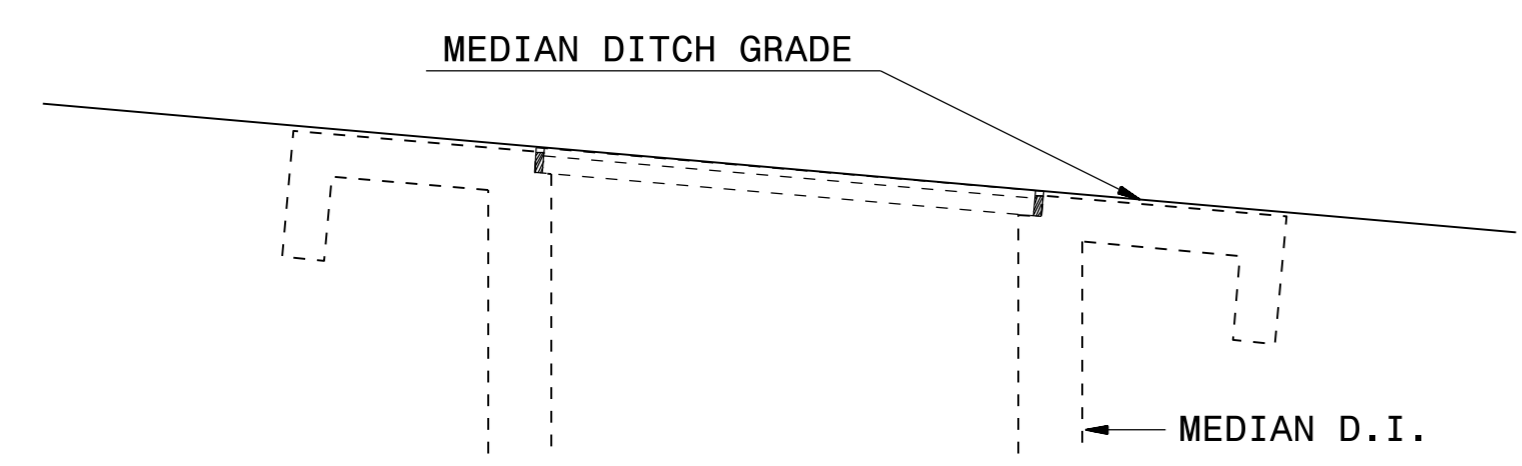
USE CLASS "B" CONCRETE THROUGHOUT.
 PROVIDE ALL DROP INLETS OVER 3'-6" IN DEPTH WITH STEPS 12" ON CENTER. USE STEPS WHICH COMPLY WITH STD. DRAWING 840.66.
 OPTIONAL CONSTRUCTION - MONOLITHIC POUR, 2" KEYWAY, OR #4 BAR DOWELS AT 12" CENTERS AS DIRECTED BY THE ENGINEER.
 USE FORMS FOR THE CONSTRUCTION OF THE BOTTOM SLAB.
 IF REINFORCED CONCRETE PIPE IS SET IN BOTTOM SLAB OF BOX, ADD TO SLAB AS SHOWN ON STD. NO. 840.00.
 WHEN PAYMENT FOR THE DROP INLET IS MADE ON A PER EACH BASIS, THE CONCRETE APRON WILL BE CONSIDERED PART OF THE DROP INLET.
 CONSTRUCT WITH PIPE CROWNS MATCHING.
 USE STANDARD FRAMES AND GRATES 840.22 (SHOWN), 840.24 (SHOWN), 840.20, 840.29, AND 840.33.
 SEE STANDARD DRAWING 840.25 FOR ATTACHMENT OF FRAMES AND GRATES NOT SHOWN.
 CHAMFER ALL EXPOSED CORNERS 1".
 THE DIMENSIONS OF THIS STRUCTURE MAY BE ADJUSTED UP AS DIRECTED BY THE ENGINEER



SECTION X-X



SECTION Y-Y



MINIMUM DIMENSIONS AND QUANTITIES FOR CONCRETE DROP INLET									
PIPE D	SPAN A	WIDTH B	HEIGHT H	CUBIC YARDS OF CONCRETE IN BOX				DEDUCTIONS FOR ONE PIPE	
				BOTTOM SLAB	H PER FOOT HT.	H MIN. TOTAL	TOTAL	C.S.	R.C.
18"	5'-8 3/4"	2'-6"	2'-4"	0.571	0.526	0.848	1.419	0.033	0.049
24"	5'-8 3/4"	3'-0"	2'-10"	0.639	0.526	1.127	1.766	0.059	0.085
30"	5'-8 3/4"	3'-4"	3'-4"	0.685	0.526	1.384	2.069	0.092	0.127
36"	5'-8 3/4"	3'-8"	3'-10"	0.731	0.526	1.653	2.384	0.132	0.176

9/2/2015



Designed by
Joel Howerton
873F3D17DCDC45F

**DOCUMENT NOT CONSIDERED FINAL
UNLESS ALL SIGNATURES COMPLETED**

**CONTRACT STANDARDS
AND DEVELOPMENT UNIT**
Office 919-707-6950 FAX 919-250-4119

**SPECIAL CONCRETE
3-GI**

ORIGINAL BY: T.Spell DATE: 7-1-04
 MODIFIED BY: K.Kempf DATE: 8-27-15
 CHECKED BY: DATE:
 FILE SPEC.: kkempf/english/840d19_mindepth_3gi.dgn

1
2
3
4
5
6
7
8
9
10
11
12
13
14
15
16
17
18
19
20
21
22
23
24
25
26
27
28
29
30
31
32
33
34
35
36
37
38
39
40
41
42
43
44
45
46
47
48
49
50
51
52
53
54
55
56
57
58
59
60
61
62
63
64
65
66
67
68
69
70
71
72
73
74
75
76
77
78
79
80
81
82
83
84
85
86
87
88
89
90
91
92
93
94
95
96
97
98
99
100