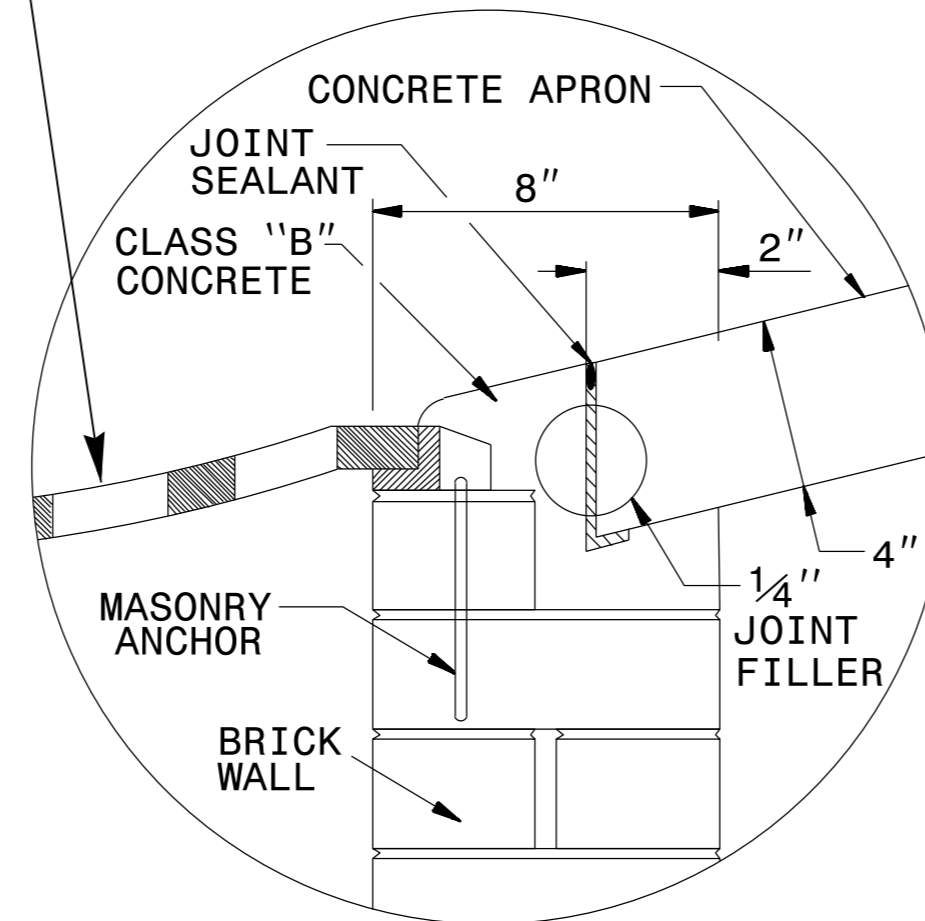


SEE PLANS FOR FRAME & GRATE TYPE



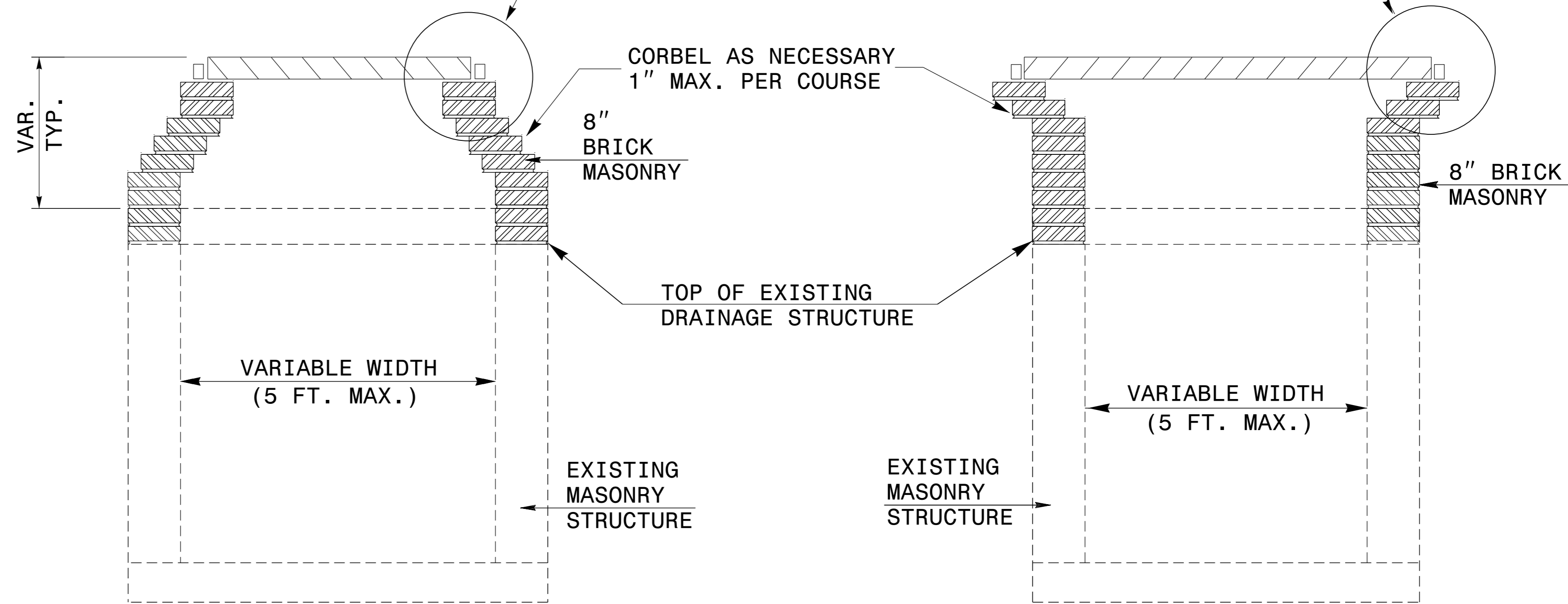
**GRATE PLACEMENT DETAIL**

FOR GRATED DROP INLETS

**GENERAL NOTES:**

- CONSTRUCT IN ACCORDANCE WITH SECTION 859 OF THE STANDARD SPECIFICATIONS.
- USE CLASS AA CONCRETE.
- THE DIMENSIONS FOR THE EXISTING BOXES ARE APPROXIMATE AND MAY VARY SLIGHTLY.
- JUMBO CONCRETE BRICK WILL BE PERMITTED. 4" CONCRETE BRICK OR 8" SOLID CONCRETE BLOCK ARE REQUIRED FOR DRAINAGE STRUCTURE.
- INCLUDE CONCRETE APRON IN UNIT PRICE BID PER EACH, CONVERT EXISTING STRUCTURE TO 2GI AS NEEDED.
- SPECIAL DESIGN IS REQUIRED FOR USE UNDER PAVEMENT.
- CONFIRM DIMENSIONS ON EACH INDIVIDUAL FRAME & GRATE PROPOSAL.
- SEE STD. DRAWING 840.25 FOR MASONRY ANCHORAGE.
- SEE STD. DRAWING 840.17 FOR CONCRETE APRON.

SEE PLANS FOR 2GI FRAME & GRATE TYPE  
SEE DETAILS ABOVE FOR METHOD OF GRATE PLACEMENT.



**TYPICAL SECTION**

**TYPICAL SECTION**

**EXPANSION JOINT DETAIL**



**CONTRACT STANDARDS AND DEVELOPMENT UNIT**  
Office 919-707-6950 FAX 919-250-4119

**DETAIL TO CONVERT EXISTING TBJB TO TB2-GI**

ORIGINAL BY:	T.S.S.	DATE:	NOV. 1997
MODIFIED BY:	T.S.S.	DATE:	FEB. 2000
CHECKED BY:		DATE:	
FILE SPEC.:	s:jhowerton/Convert TBJB to TB2GI		

CONTRACT NUMBER: I-3318BB SHEET NO: 2C-2