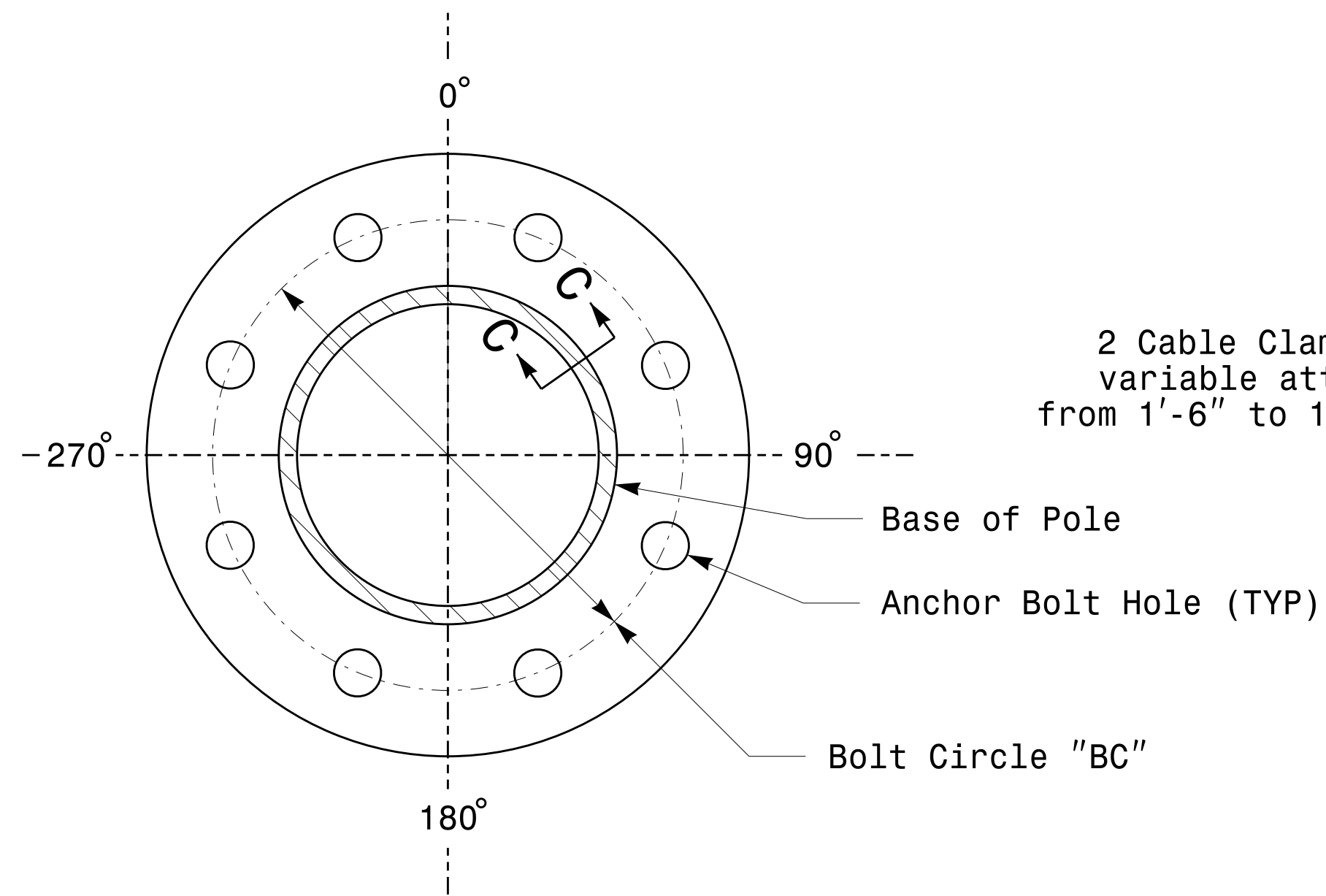
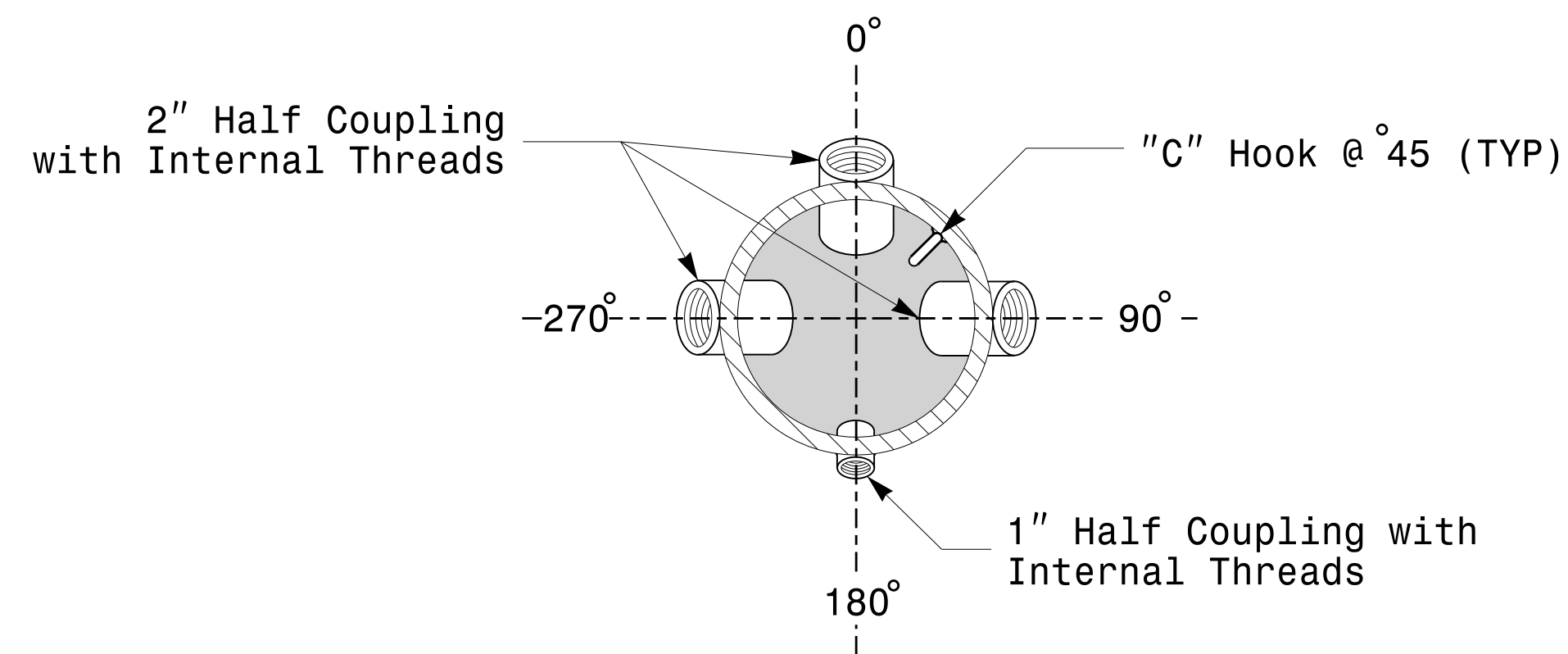
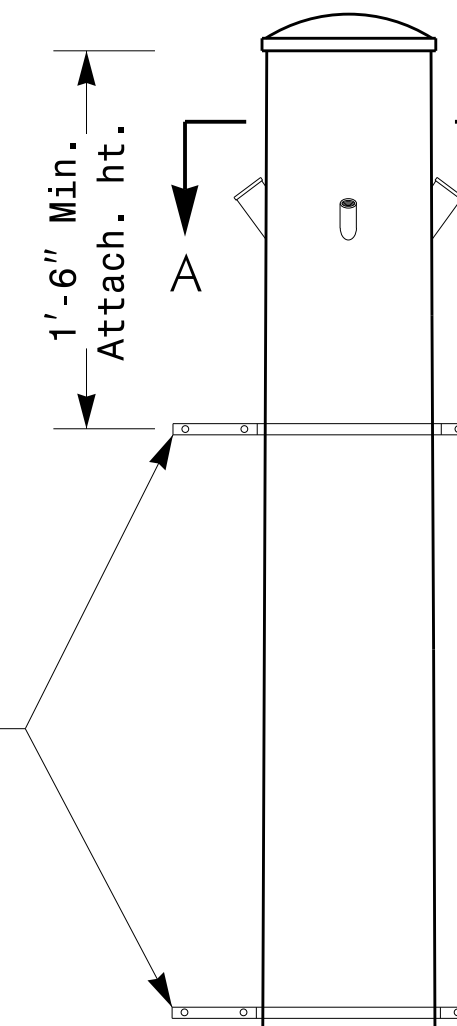


Cable Entrances at Top of Pole

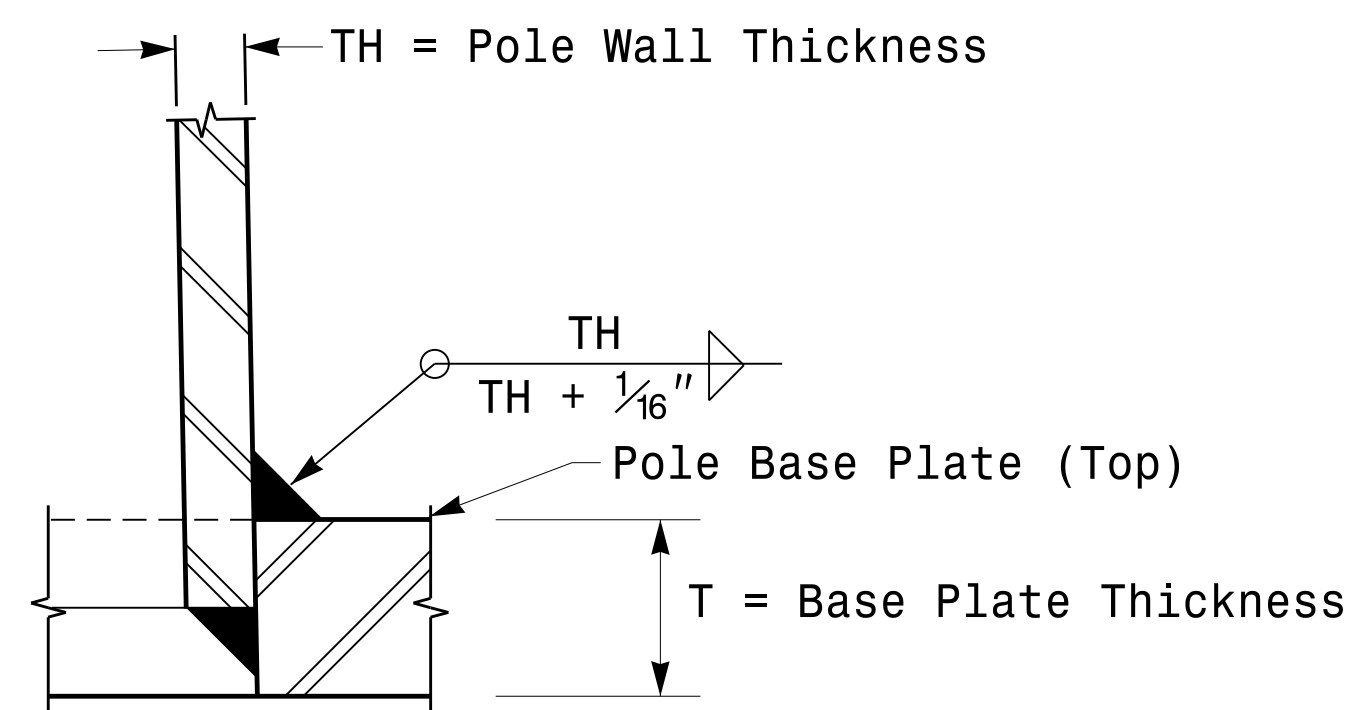


Section B-B  
Pole Base Plate  
(See drawing M2)

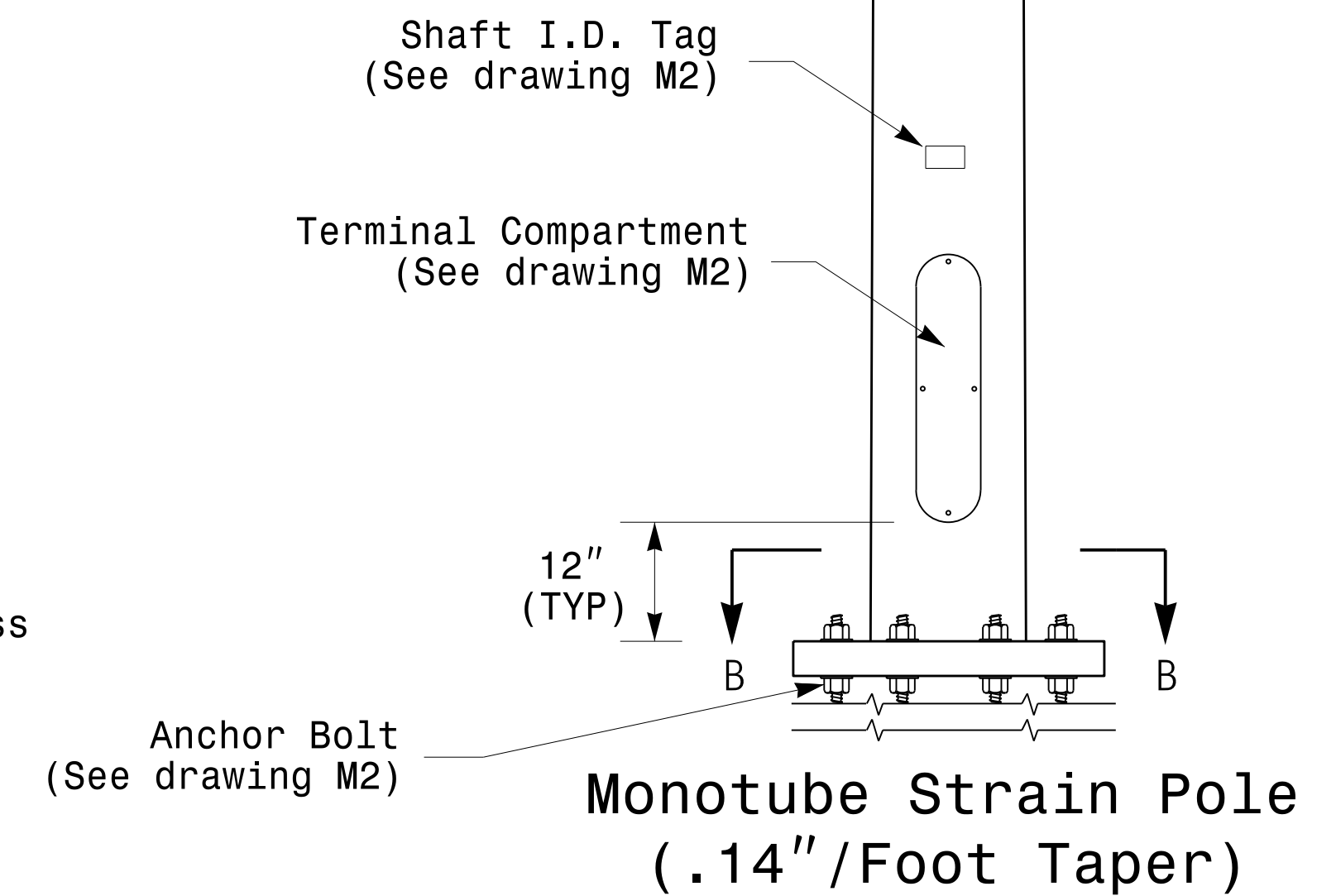
2 Cable Clamps designed for variable attachment heights from 1'-6" to 10' below the top of the pole.



Radial Orientation for Factory Installed Accessories at Top of Pole



Socket Connection Weld Detail



Monotube Strain Pole  
(.14\"/>

Fabrication Details – Strain Poles

D:\Projects\2014\08\51\Signal Design\Section\Eastern Region\MM\_Sheets\2012\_M3\_Fab\_Details\Strain\_Poles.dgn

	Typical Fabrication Details For Strain Poles		
	PLAN DATE: AUGUST 2013 PREPARED BY: N. BITTING	DESIGNED BY: C.F. ANDREWS REVIEWED BY: D.C. SARKAR	
SCALE: 0 NA NONE	REVISIONS: _____ INIT.: _____ DATE: _____	SIG. INVENTORY NO.	