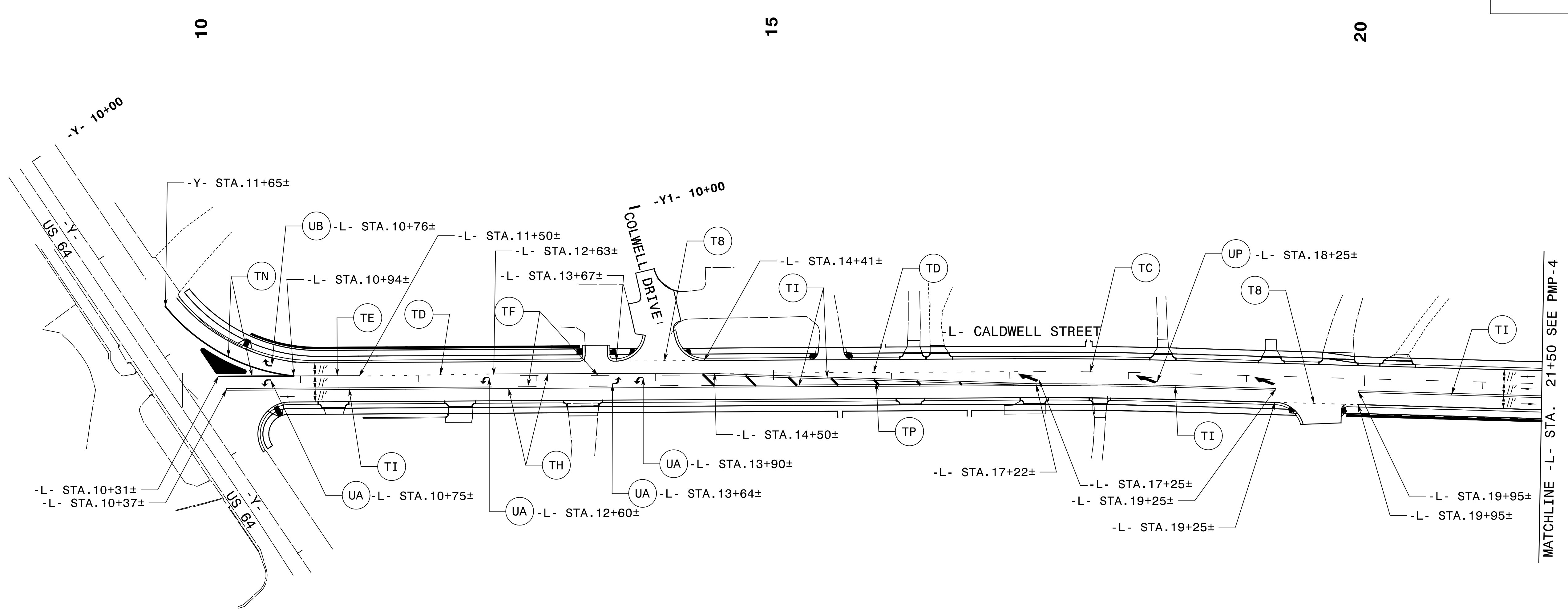


|                               |                    |
|-------------------------------|--------------------|
| TIP NO.<br>U-5104             | SHEET NO.<br>PMP-3 |
| APPROVED: <i>Steve Miller</i> |                    |
| DATE: 8/17/2015               |                    |
| SEAL                          |                    |
|                               |                    |



MATCHLINE -L- STA. 21+50 SEE PMP-4



8/14/2015 6:51 Roadway\RO06.003.00 (Caldwell St. Improvements)\Traffic\Pavement Marking Plans\U-5104 PMP-3.dgn RDr-dytton

**SEPI** ENGINEERING & CONSTRUCTION  
 1025 Wade Avenue  
 Raleigh, NC 27605  
 Tel: 919-789-9977  
 Fax: 919-789-9591  
 License: C-2197

**PAVEMENT MARKING DETAIL**