
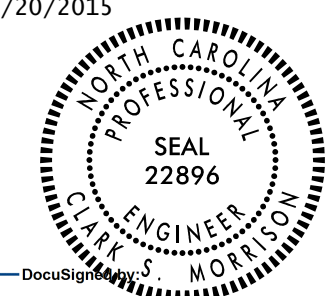

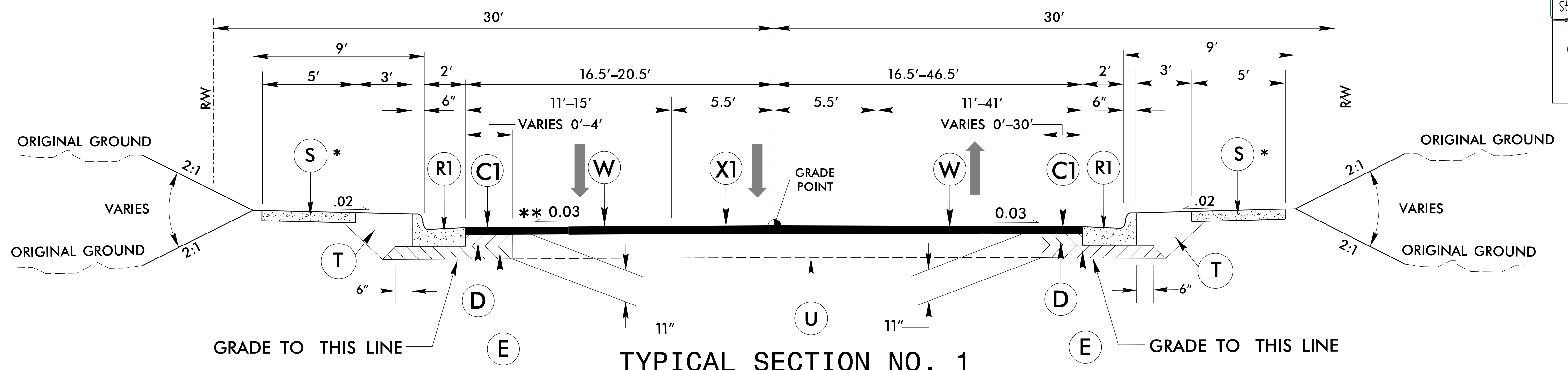


5/14/14/99

PROJECT REFERENCE NO. U-5104	SHEET NO. 2A-2
RW SHEET NO.	
ROADWAY DESIGN ENGINEER 8/20/2015 	PAVEMENT ENGINEER 8/20/2015 
 1025 Wade Avenue Raleigh, NC 27605 Tel: 919-789-9977 Fax: 919-789-9591 License: C-2197	

-L- CALDWELL STREET

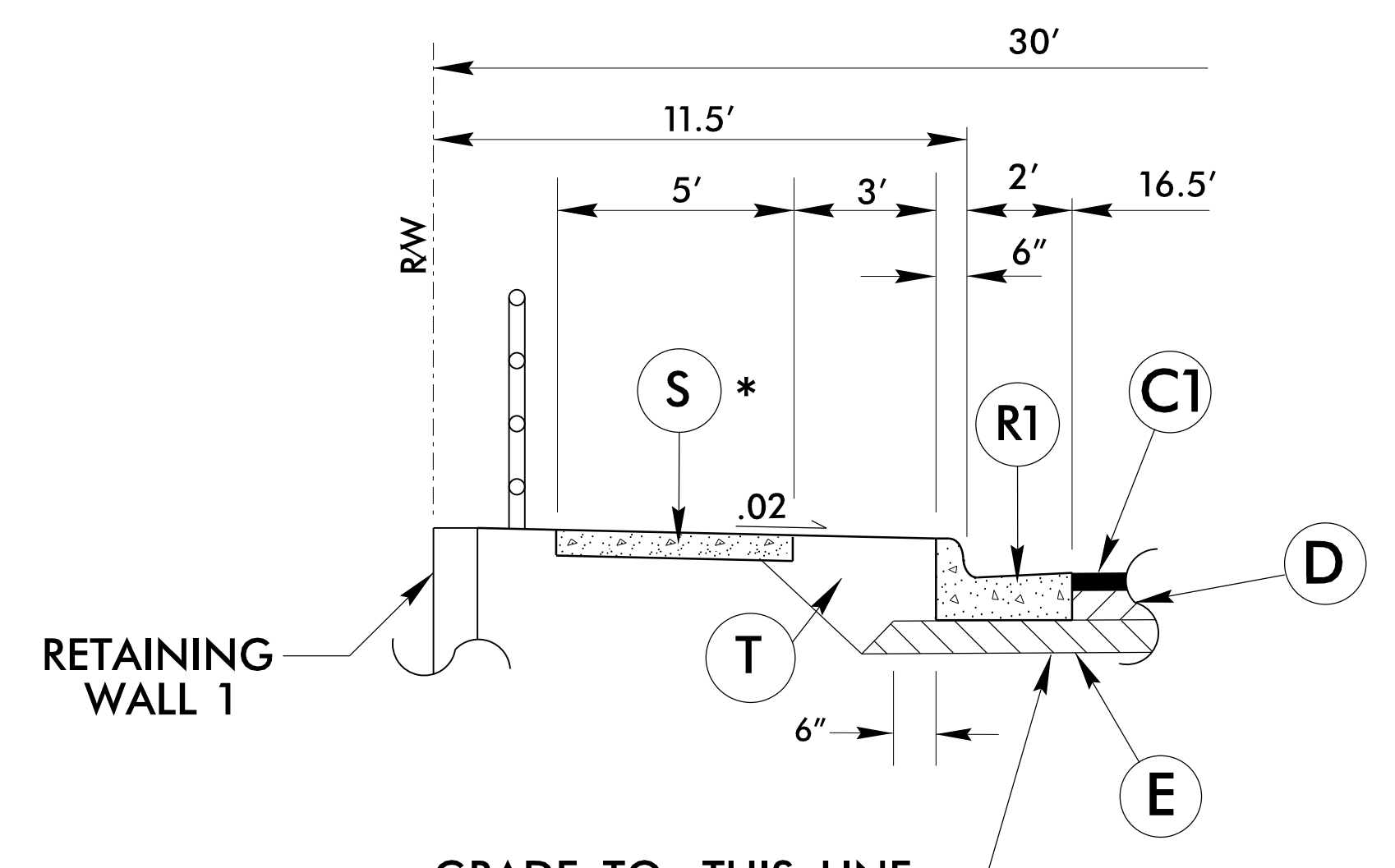


TYPICAL SECTION NO. 1

-L- STA. 10+28.80 TO 41+50.00
 ** RETAIN EXISTING SUPER FROM
 -L- STA 39+52.00 TO 41+50.00 LT.

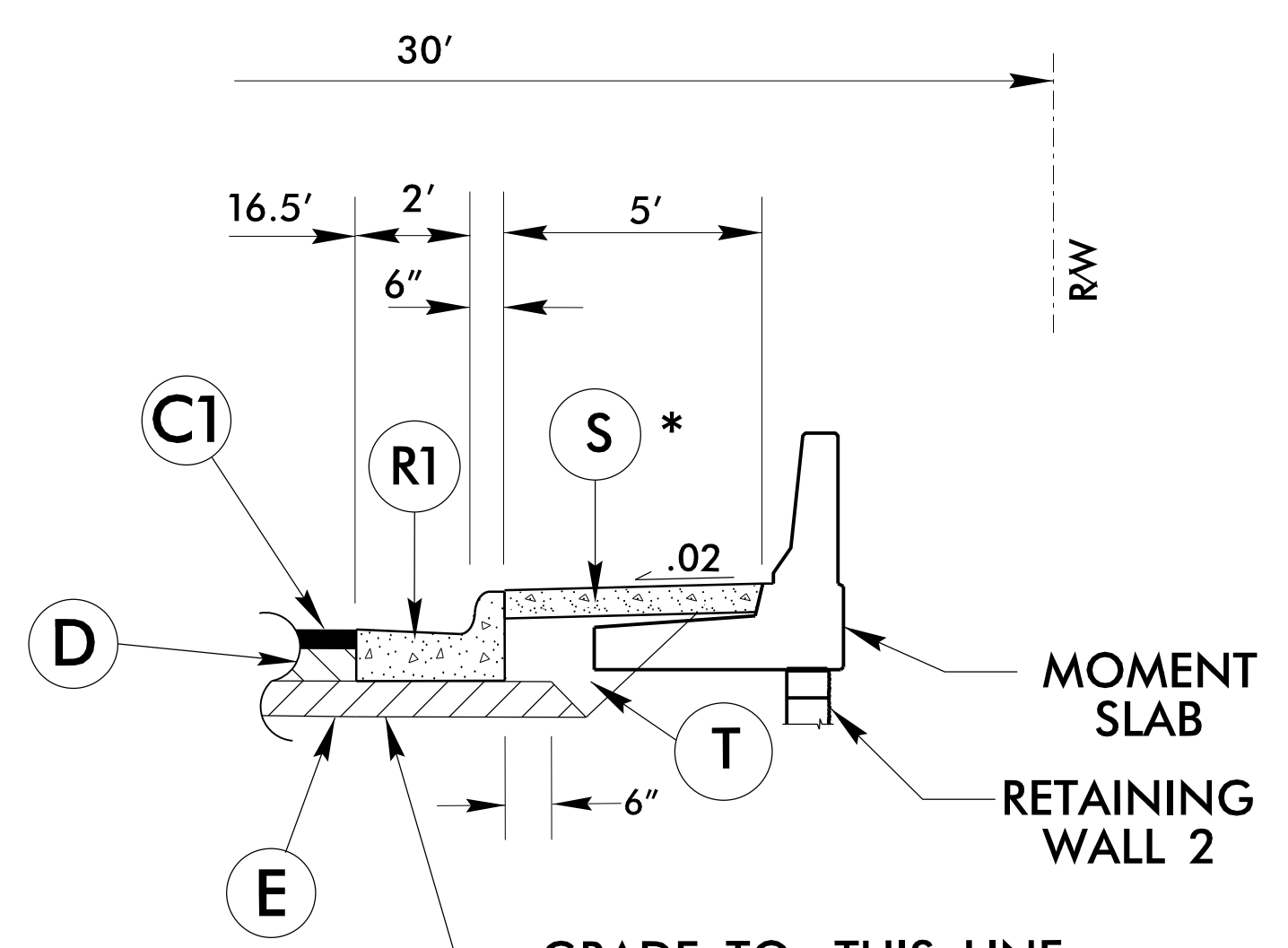
C1	3" S9.5B
C2	VAR. S9.5B
D	4" I19.0B
D1	VAR. I19.0B
E	4" B25.0B
E1	VAR. B25.0B
J1	8" ABC
R1	2'-6" C & G
S	4" SIDEWALK
T	EARTH MATERIAL
U	EXIST PAVEMENT
X1	VAR MILLING 0-4"
X2	4" MILLING
W	WEDGING

NOTE: PAVEMENT EDGE SLOPES ARE 1:1 UNLESS SHOWN OTHERWISE



PARTIAL SECTION NO. 1A

-L- STA. 10+58.97 TO 13+35.35



PARTIAL SECTION NO. 1B

-L- STA. 19+83.00 TO 21+90.79

* REFER TO THE ROADWAY PLAN SHEETS FOR STATION APPLICATION OF PROPOSED SIDEWALK

NOT TO SCALE

8/17/2015 P:\o\j\5104_RDY_TYP.dgn