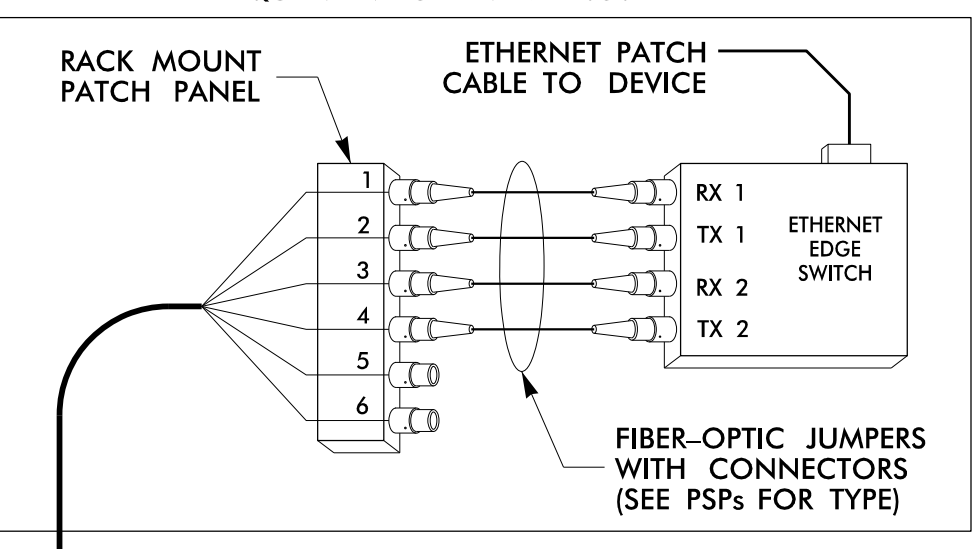


**SPLICE ENCLOSURE NO.**

**S18-4**

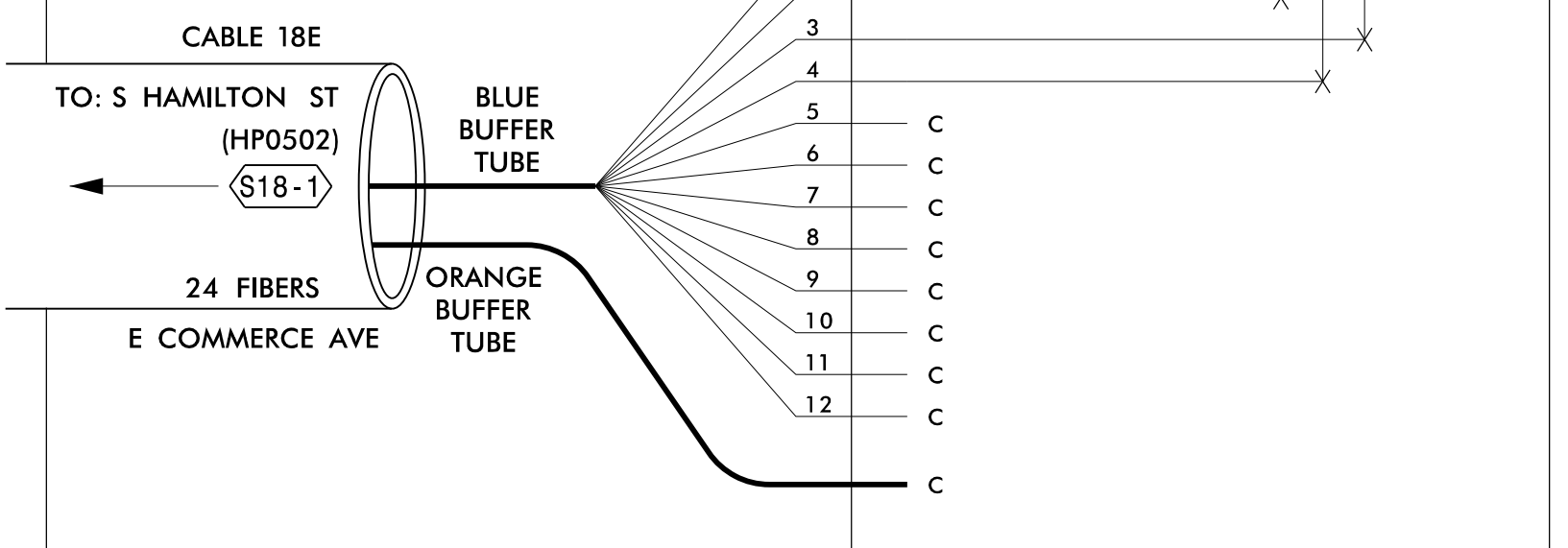
SEE: CRP-6.163

EQUIPMENT CABINET: HP0501



6 FIBER DROP CABLE

SPLICE TRAY



08-JUN-2015 09:21  
 T:\projects\104115\ANDOT\100037777 - High Point Sig Sys\Comms and ITS\Fiber Splicing\SpliceDetail1-76.dgn  
 S:\033653 AT LUS291201

**ATKINS** 1616 EAST MILLBROOK ROAD, SUITE 310  
 RALEIGH, NORTH CAROLINA 27609  
 (919) 876-6888 NCBEES #F-0326

COLOR CODE		LEGEND		NOTES	
(1) BLUE	(7) RED	X = FUSION SPlice INDIVIDUAL FIBER		1. UNUSED FIBERS LEFT COILED AND STORED IN SPLICE TRAY	
(2) ORANGE	(8) BLACK	C = CAP AND SEAL		2. UNUSED BUFFER TUBES LEFT COILED AND STORED IN SPLICE ENCLOSURE	
(3) GREEN	(9) YELLOW	EXPRESS = EXPRESS ENTIRE BUFFER TUBE / FIBERS THROUGH WITHOUT CUTTING		3. EDGE SWITCH CONFIGURATIONS ARE GENERIC. CONTRACTOR IS RESPONSIBLE FOR DETERMINING/ENSURING THE PROPER TERMINATIONS.	
(4) BROWN	(10) VIOLET	BUFFER SPlice = SPlice ALL FIBERS IN BUFFER TUBE COLOR TO COLOR			
(5) SLATE	(11) ROSE				
(6) WHITE	(12) AQUA				

<p>Prepared for the Offices of:                  Transportation Mobility and Safety Division                  STATE OF NORTH CAROLINA                  DEPARTMENT OF TRANSPORTATION                  Intelligent Transportation Systems</p>	<b>High Point Signal System                  Splicing Details</b>		SEAL
	Division 7	Guilford County	High Point
	PLAN DATE: June 2015	REVIEWED BY: HA Badgett	
	PREPARED BY: BJ Slocum	REVIEWED BY: SG Haynie	
SCALE	REVISIONS	INIT.	DATE
NTS			
Desigined by:  DATE: 6/8/2015			SEAL 019962 HENRY W. BADETT ENGINEER HENRY W. BADETT
CADD Filename: SpliceDetail1-76.dgn			