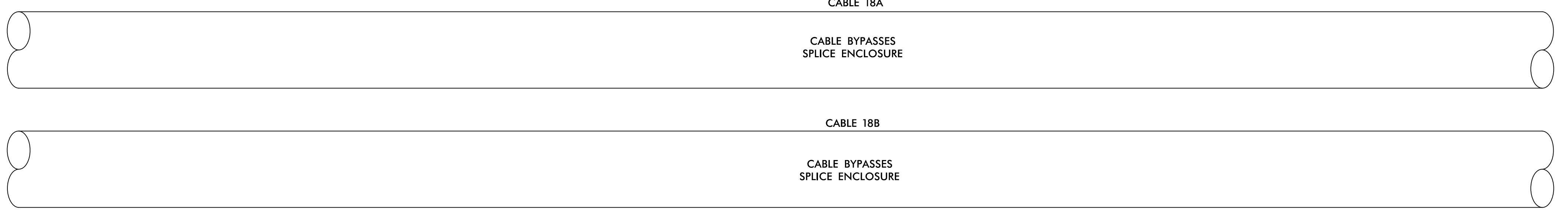
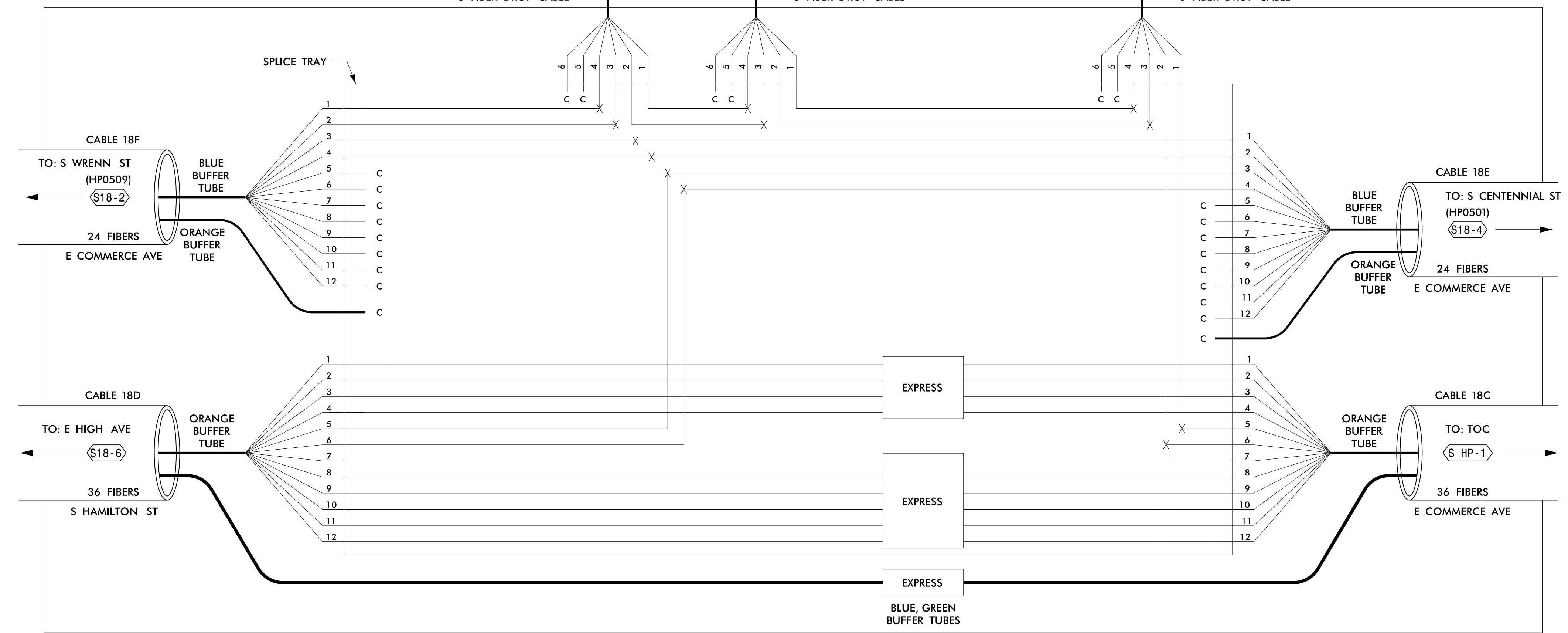
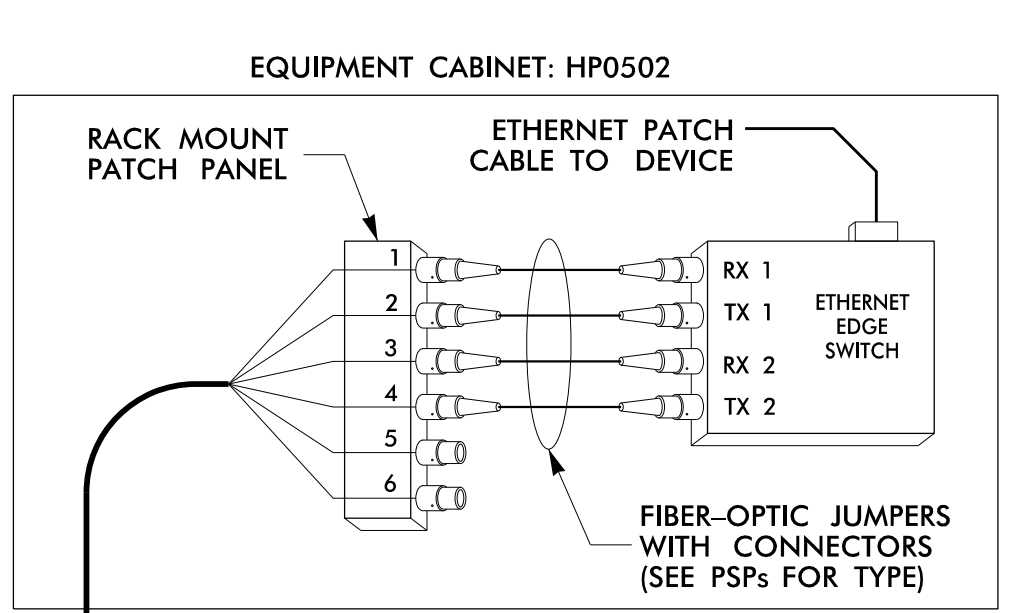
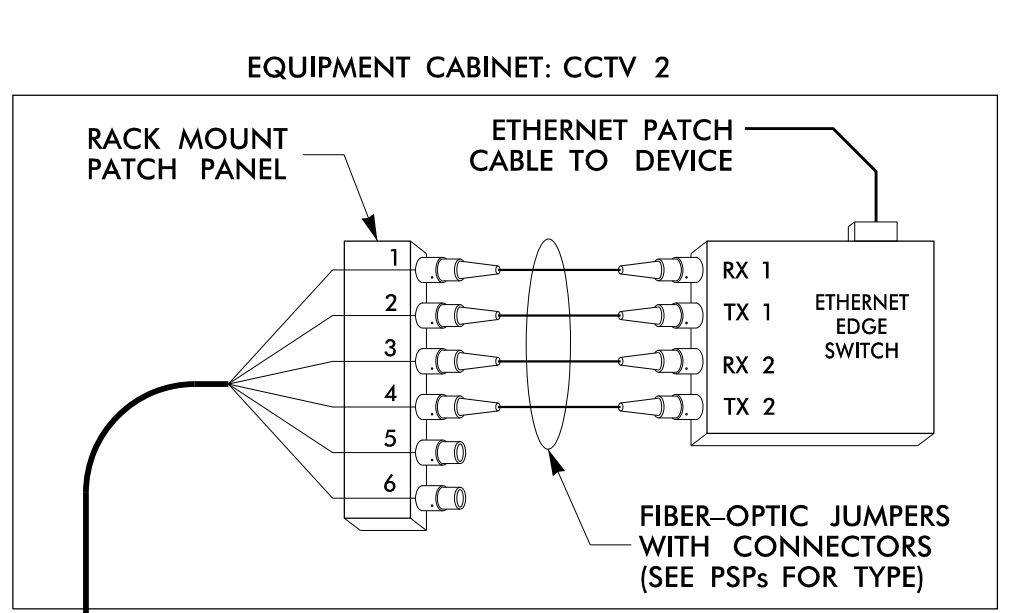
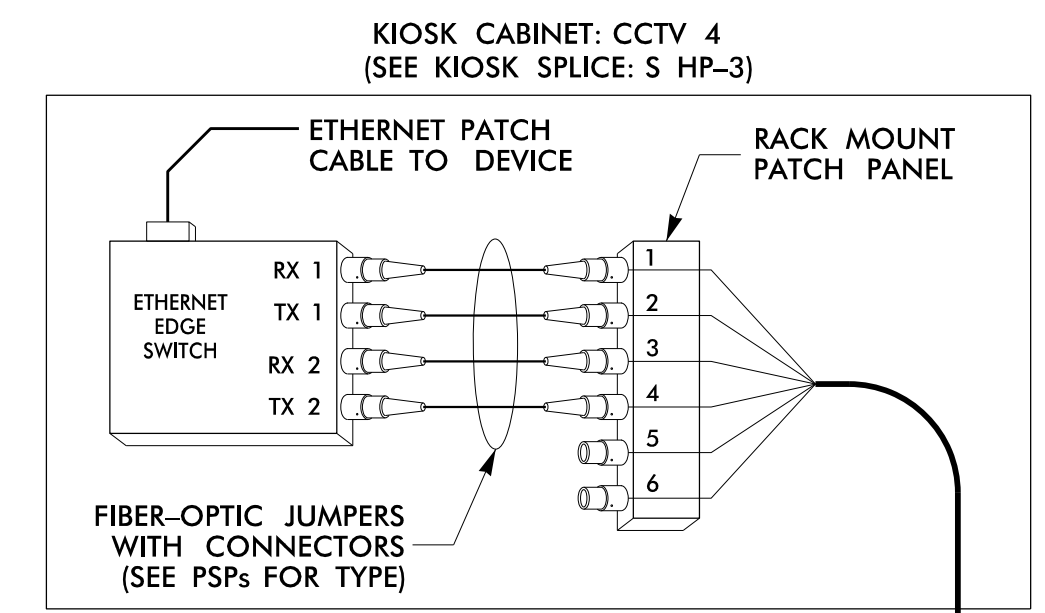


**SPLICE ENCLOSURE NO.**  
**S18-1**  
 SEE: CRP-6.163



08-JUN-2015 09:21 T:\projects\100037777 - High Point Sig Sys\Comms and ITS\Fiber Splicing\SpliceDetail-174.dgn SLOC3653 AT LUS291201

**LEGEND**

<b>COLOR CODE</b> TIA/EIA 598-B	X = FUSION SPLICE INDIVIDUAL FIBER
(1) BLUE (7) RED	C = CAP AND SEAL
(2) ORANGE (8) BLACK	EXPRESS = EXPRESS ENTIRE BUFFER TUBE / FIBERS THROUGH WITHOUT CUTTING
(3) GREEN (9) YELLOW	BUFFER SPLICE = SPLICE ALL FIBERS IN BUFFER TUBE COLOR TO COLOR
(4) BROWN (10) VIOLET	
(5) SLATE (11) ROSE	
(6) WHITE (12) AQUA	

- NOTES**
- UNUSED FIBERS LEFT COILED AND STORED IN SPLICE TRAY
  - UNUSED BUFFER TUBES LEFT COILED AND STORED IN SPLICE ENCLOSURE
  - EDGE SWITCH CONFIGURATIONS ARE GENERIC. CONTRACTOR IS RESPONSIBLE FOR DETERMINING/ENSURING THE PROPER TERMINATIONS.

**ATKINS** 1616 EAST MILLBROOK ROAD, SUITE 310  
 RALEIGH, NORTH CAROLINA 27609  
 (919) 876-6888 NCBEES #F-0326

<p>Prepared for the Offices of:                  Transportation Mobility and Safety Division                  STATE OF NORTH CAROLINA                  DEPARTMENT OF TRANSPORTATION                  Intelligent Transportation Systems</p> 750 Greenfield Parkway, Garner, NC 27529 SCALE: NTS	<p><b>High Point Signal System Splicing Details</b></p> Division 7 Guilford County High Point PLAN DATE: June 2015 REVIEWED BY: HA Badgett PREPARED BY: BJ Slocum REVIEWED BY: SG Haynie		<p>SEAL</p> <p>DocuSigned by:                  HA Badgett                  DATE: 6/8/2015                  CADD Filename: SpliceDetail-174.dgn</p>						
	<p>REVISIONS</p> <table border="1"> <tr> <th>NO.</th> <th>DATE</th> <th>INIT.</th> <th>DATE</th> </tr> <tr> <td> </td> <td> </td> <td> </td> <td> </td> </tr> </table>			NO.	DATE	INIT.	DATE		
NO.	DATE	INIT.	DATE						