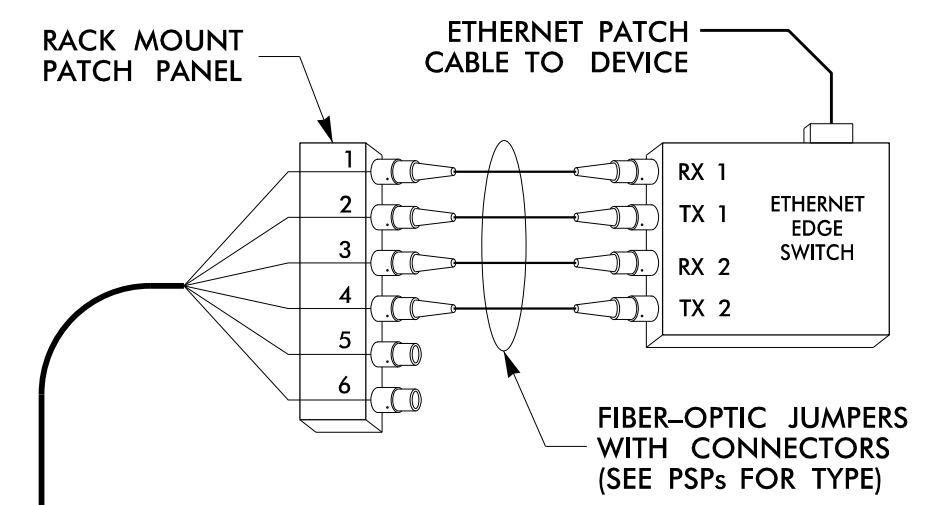


SPLICE ENCLOSURE NO.

S15-9

SEE: CRP-6.118

EQUIPMENT CABINET: 07-0550



6 FIBER DROP CABLE

SPLICE TRAY

CABLE 15H
TO: GORDON ST
(HP0708)
S15-2

24 FIBERS
N HOSKINS ST

CABLE 15C
TO: S COLLEGE DR
(07-0915)
S15-6

24 FIBERS
E KIVETT DR

CABLE 15G
TO: BRENTWOOD ST
(07-1482)
S15-5

24 FIBERS
E KIVETT DR

LEGEND

COLOR CODE TABLE 598-B		X = FUSION SPLICE INDIVIDUAL FIBER
(1) BLUE	(7) RED	C = CAP AND SEAL
(2) ORANGE	(8) BLACK	EXPRESS = EXPRESS ENTIRE BUFFER TUBE / FIBERS THROUGH WITHOUT CUTTING
(3) GREEN	(9) YELLOW	BUFFER SPLICE = SPLICE ALL FIBERS IN BUFFER TUBE COLOR TO COLOR
(4) BROWN	(10) VIOLET	
(5) SLATE	(11) ROSE	
(6) WHITE	(12) AQUA	

NOTES

- UNUSED FIBERS LEFT COILED AND STORED IN SPLICE TRAY
- UNUSED BUFFER TUBES LEFT COILED AND STORED IN SPLICE ENCLOSURE
- EDGE SWITCH CONFIGURATIONS ARE GENERIC. CONTRACTOR IS RESPONSIBLE FOR DETERMINING/ENSURING THE PROPER TERMINATIONS.

08-JUN-2015 09:20 T:\projects\104115\104115.dwg - High Point Sig Sys\Comms and ITS\Fiber Splicing\SpliceDetail1-66.dgn S:\C03653 AT LUS291201

ATKINS 1616 EAST MILLBROOK ROAD, SUITE 310
RALEIGH, NORTH CAROLINA 27609
(919) 876-6888 NCBEES #F-0326

	<p>High Point Signal System Splicing Details</p>		
	<p>Division 7 Guilford County High Point</p>	<p>PLAN DATE: June 2015 REVIEWED BY: HA Badgett</p>	
<p>750 Greenfield Parkway, Garner, NC 27529</p>	<p>PREPARED BY: BJ Slocum</p>	<p>REVIEWED BY: SG Haynie</p>	<p>DocuSigned by: Henry Fred Badgett DATE: 6/8/2015</p>
<p>SCALE: NTS</p>	<p>REVISIONS</p>	<p>INIT. DATE</p>	<p>CADD Filename: SpliceDetail1-66.dgn</p>