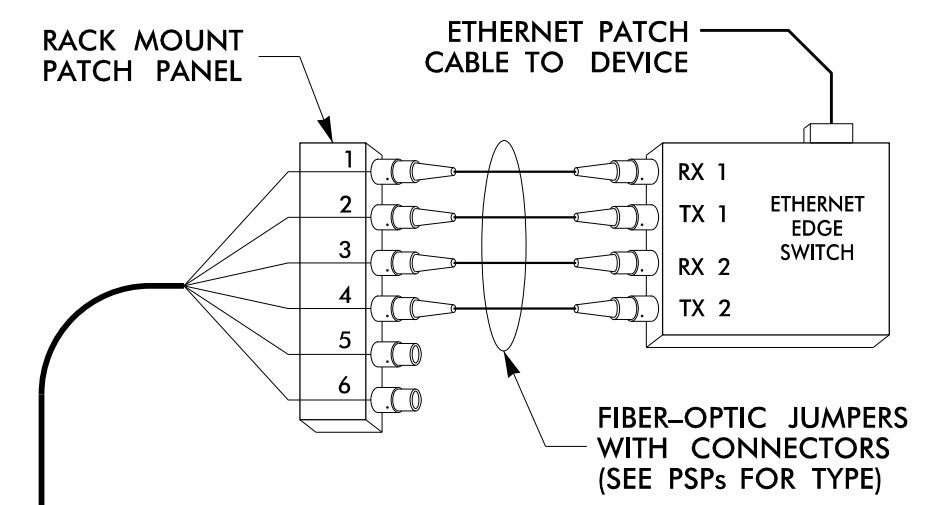


SPLICE ENCLOSURE NO.

S15-3

SEE: CRP-6.144

EQUIPMENT CABINET: 07-0587



CABLE 15F
TO: E RUSSELL AVE
(07-0999)
PARK ST
24 FIBERS
S15-8

CABLE 15A
TO: S CENTENNIAL ST
(07-0995)
E GREEN DR
36 FIBERS
S15-7

CABLE 15B
TO: S COLLEGE DR
(07-1179)
E GREEN DR
36 FIBERS
S15-4

LEGEND

COLOR CODE TABLE 598-B		X = FUSION SPLICE INDIVIDUAL FIBER
(1) BLUE	(7) RED	C = CAP AND SEAL
(2) ORANGE	(8) BLACK	EXPRESS = EXPRESS ENTIRE BUFFER TUBE / FIBERS THROUGH WITHOUT CUTTING
(3) GREEN	(9) YELLOW	BUFFER SPLICE = SPLICE ALL FIBERS IN BUFFER TUBE COLOR TO COLOR
(4) BROWN	(10) VIOLET	
(5) SLATE	(11) ROSE	
(6) WHITE	(12) AQUA	

NOTES

- UNUSED FIBERS LEFT COILED AND STORED IN SPLICE TRAY
- UNUSED BUFFER TUBES LEFT COILED AND STORED IN SPLICE ENCLOSURE
- EDGE SWITCH CONFIGURATIONS ARE GENERIC. CONTRACTOR IS RESPONSIBLE FOR DETERMINING/ENSURING THE PROPER TERMINATIONS.

08-JUN-2015 09:20 T:\projects\104115\ANDOT\100037777 - High Point Sig Sys\Comms and ITS\Fiber Splicing\SpliceDetail1-62.dgn S:\C03653 AT LUS291201

ATKINS 1616 EAST MILLBROOK ROAD, SUITE 310
RALEIGH, NORTH CAROLINA 27609
(919) 876-6888 NCBEES #F-0326

<p>Prepared for the Offices of: Transportation Mobility and Safety Division STATE OF NORTH CAROLINA Department of Transportation 750 Greenfield Parkway, Garner, NC 27529</p>	<p>High Point Signal System Splicing Details</p>		<p>SEAL 019962 HENRY FERDINAND BADGETT ENGINEER</p>					
	<p>Division 7 Guilford County High Point</p>							
	<p>PLAN DATE: June 2015</p>	<p>REVIEWED BY: HA Badgett</p>						
	<p>PREPARED BY: BJ Slocum</p>	<p>REVIEWED BY: SG Haynie</p>						
<p>SCALE</p> <p>NTS</p>	<table border="1"> <thead> <tr> <th>REVISIONS</th> <th>INIT.</th> <th>DATE</th> </tr> </thead> <tbody> <tr> <td> </td> <td> </td> <td> </td> </tr> </tbody> </table>	REVISIONS	INIT.	DATE				<p>DocuSigned by: <i>HA Badgett</i> DATE 6/8/2015</p> <p>CADD Filename: SpliceDetail1-62.dgn</p>
REVISIONS	INIT.	DATE						