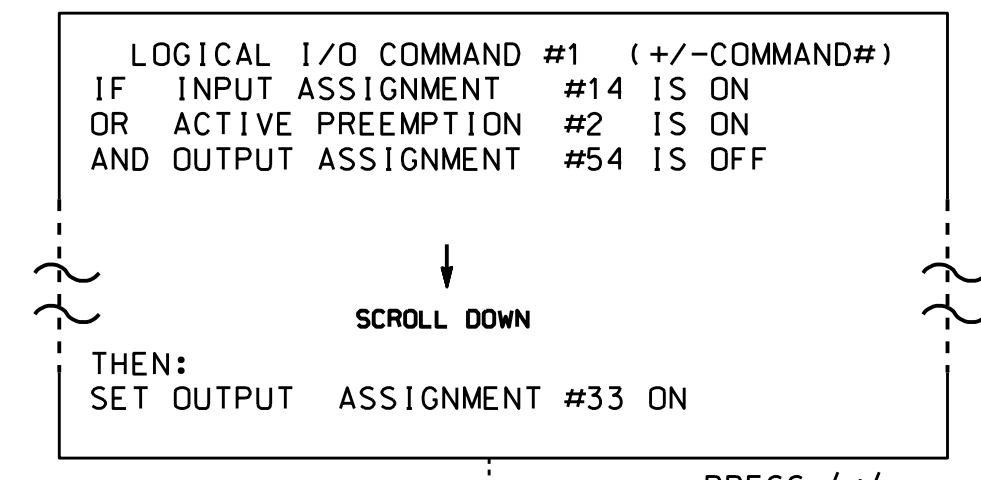


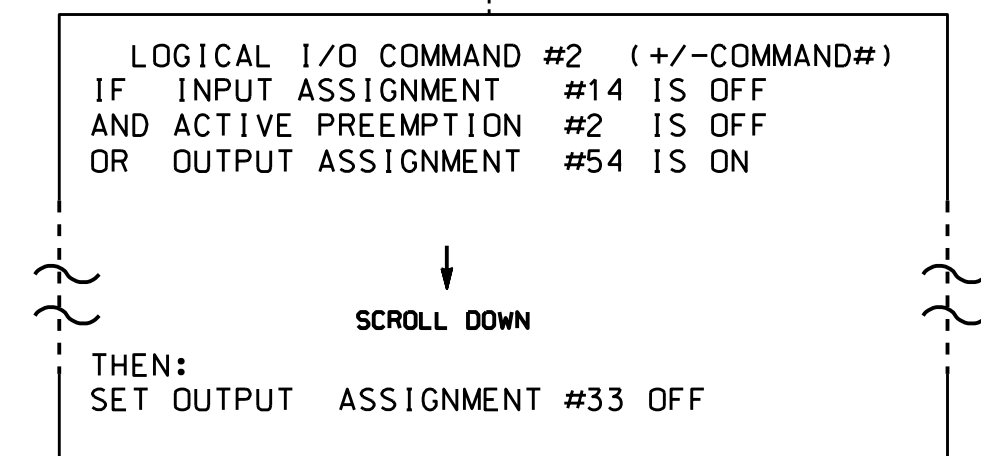
**LOGICAL I/O PROCESSOR PROGRAMMING DETAIL
FOR FIRE HOUSE LAMP CONTROL**

(program controller as shown below)

- From Main Menu press '2' (Phase Control), then '1' (Phase Control Functions). Scroll to the bottom of the menu and enable Act Logic Commands 1 and 2.
- From Main Menu press '6' (Outputs), then '3' (Logical I/O Processor).



NOTE: FIRE HOUSE PILOT LAMP LOGIC (ON).



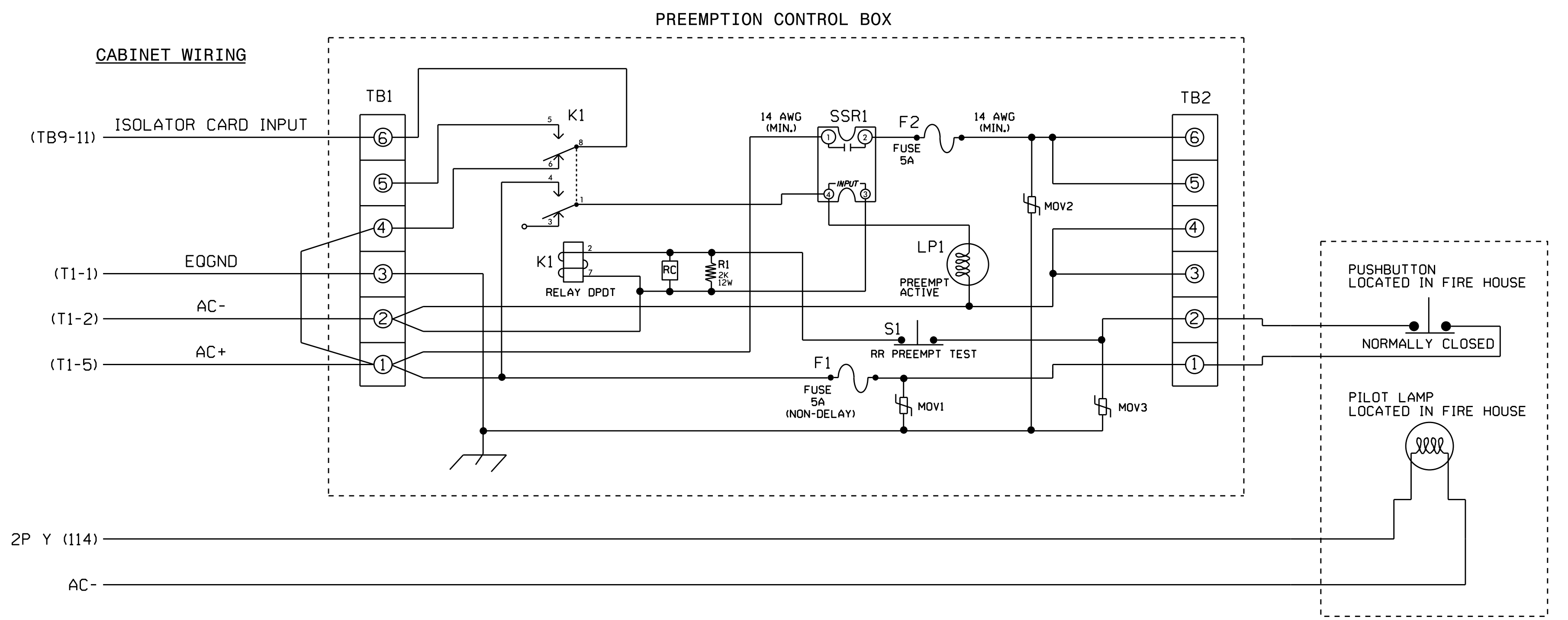
NOTE: FIRE HOUSE PILOT LAMP LOGIC (OFF).

LOGIC I/O PROCESSOR PROGRAMMING COMPLETE

OUTPUT REFERENCE SCHEDULE

- OUTPUT 54 = Controller Flash
- OUTPUT 33 = Phase 2 PED Yellow
- INPUT 14 = Preempt 2 Input

**EMERGENCY VEH. PREEMPTION PUSHBUTTON AND INDICATOR LAMP WIRING DETAIL
USING PREEMPT CONTROL BOX**



NOTES

- Relay K1 is shown in the energized (Preempt not active) normal operation state.
- Relay K1 is a DPDT with 120VAC coil with octal base.
- Relay SSR1 is a SPST (normally open) Solid State Relay with AC input and AC (25 amp) output.
- AC Isolator Card shall activate preemption upon removal of AC+ from the input (as shown above). To accomplish this set invert dip switch on AC Isolator Card.
- IMPORTANT!! Terminal TB9-12 (on input panel) shall be connected to AC neutral (jumper may have to be added).

EMERGENCY VEHICLE PREEMPTION PROGRAMMING DETAIL

(program controller as shown below)

From Main Menu press 'A' (Preemption), then '1' (Standard Preemptions). Press 'NEXT' to advance to Preemption #2.

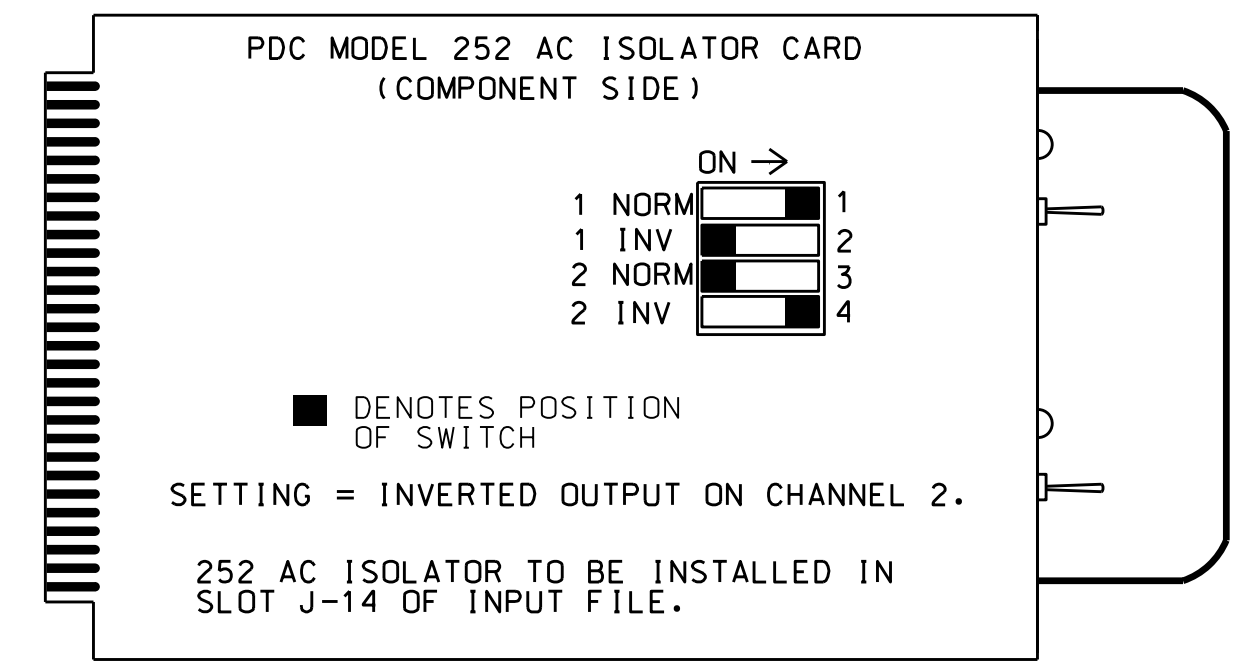
PREEMPTION #2	SETTINGS (NEXT:1-10)
INTERVAL/TIMING	CLEAR/DWELL PHASES
GRN YEL RED	12345678910111213141516
1 255 0.0 0.0	X X
2 0 0.0 0.0	
3 0 0.0 0.0	
4 0 0.0 0.0	
5 1 0.0 0.0	X X

EXIT CALLS	OPTIONS
PRIORITY (Y/N TO SELECT)MED
DELAY TIMER (0-255 SEC)*
MIN GREEN BEFORE PRE (0= DEFAULT)	...1
PED CLEAR BEFORE PRE (0= DEFAULT)	...0
YELLOW CLEAR BEFORE PRE (0= DEFAULT)	...0.0
RED CLEAR BEFORE PRE (0= DEFAULT)	...0.0
DWELL MIN TIMER (0-255 SEC)*
DWELL MAX TIMER (0=OFF,1-255MIN)	...2
DWELL HOLD-OVER TIMER (0-255)	...0
LATCH CALL?Y
LINK TO NEXT PREEMPT?N
ENABLE BACKUP PROTECTION?N
HOLD CLEAR 1 PHASES DURING DELAY?	...N
FAST GREEN FLASH DWELL PHASES?	...N
PED CLEARANCE THROUGH YELLOW?	...N
INHIBIT OVERLAP GREEN EXTENSION?	...N
SERVICE DURING SOFTWARE FLASH?	...N
REST IN RED DURING DWELL INTERVAL?	...N
FLASH DWELL INTERVAL?	...N
ALLOW PEDS IN DWELL INTERVAL?	...N
RE-TIME DWELL INTERVAL?Y
OVERLAPS:	ABCDEFGHIJKLMNPO
DWELL INT FLASH YELLOW	
OMIT OVERLAPS:	

* Denotes timing to be determined in field.

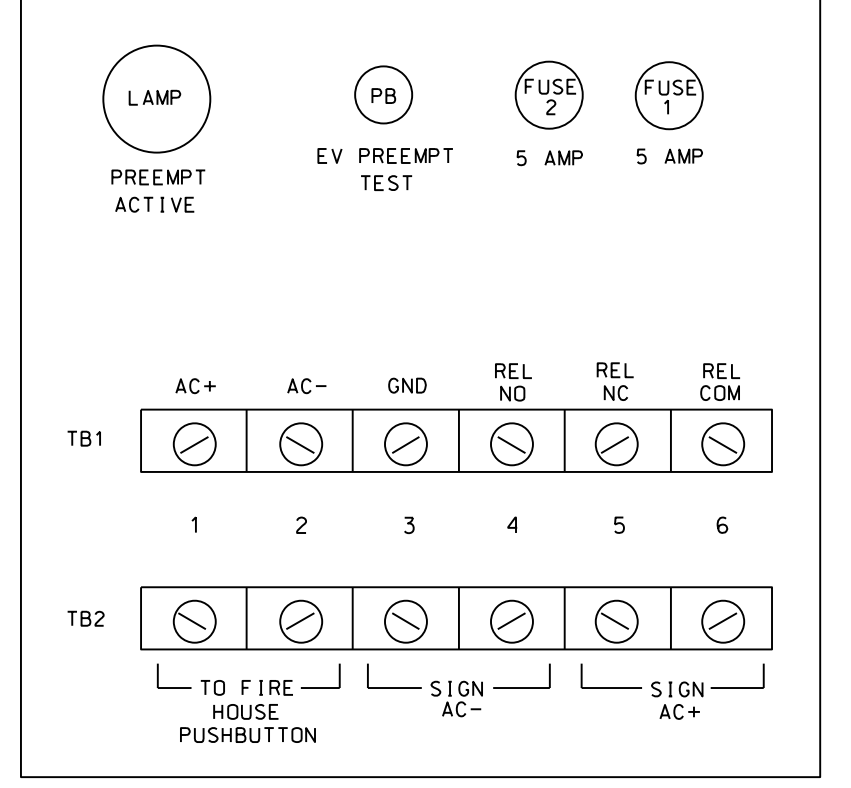
PREEMPT 2 AC ISOLATOR (MODEL 252) OUTPUT PROGRAMMING DETAIL

(set DIP switches as shown below)



NOTE: IF ANOTHER MANUFACTURER TYPE OF AC ISOLATOR IS USED, OUTPUT PROGRAMMING IS LIKELY NOT TO EQUATE TO THAT SHOWN ABOVE.

FRONT VIEW



PREEMPTION CONTROL BOX

THIS ELECTRICAL DETAIL IS FOR THE SIGNAL DESIGN: 07-1980
DESIGNED: May 2014
SEALED: 4/22/2015
REVISED: N/A

Electrical Detail - Sheet 3 of 3

ELECTRICAL AND PROGRAMMING DETAILS FOR: Prepared in the Offices of: Signal Management Services, Inc. 750 N. Greenfield Pkwy, Garner, NC 27529	NC 68 (Eastchester Drive) at Lassiter Drive/Oak Hollow Village Shopping Center		SEAL SEAL 022013 ENGINEER GEORGE C. BROWN
	Division 7 PLAN DATE: August 2014 PREPARED BY: C. Strickland	Guilford County High Point REVIEWED BY: T. Joyce REVIEWED BY:	

30-4896-2015 15-19
 S:\IT\SS\15113\Sigma\work\pdp\pdp\sig\Map\5113\ck\lnd\071980_sml_e_0xxx.dgn
 08/17/2015 10:41:01 AM