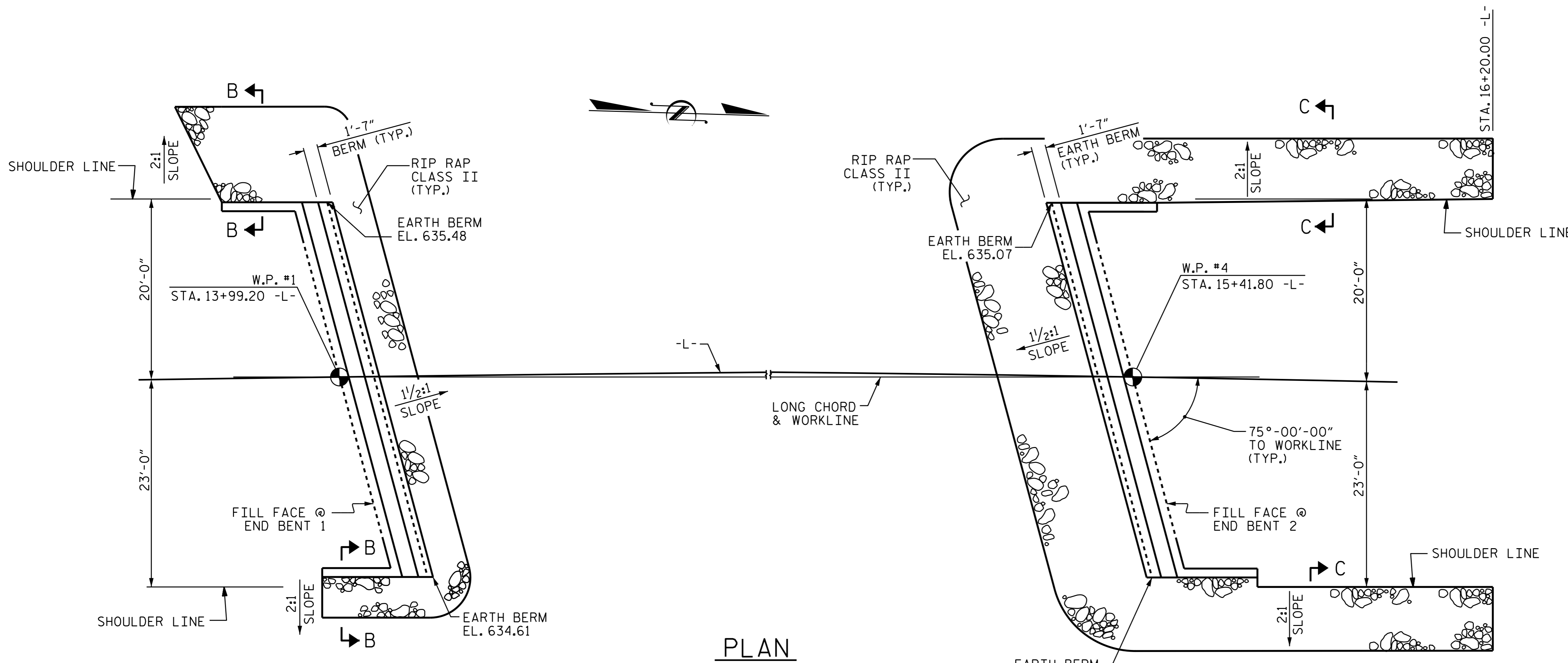


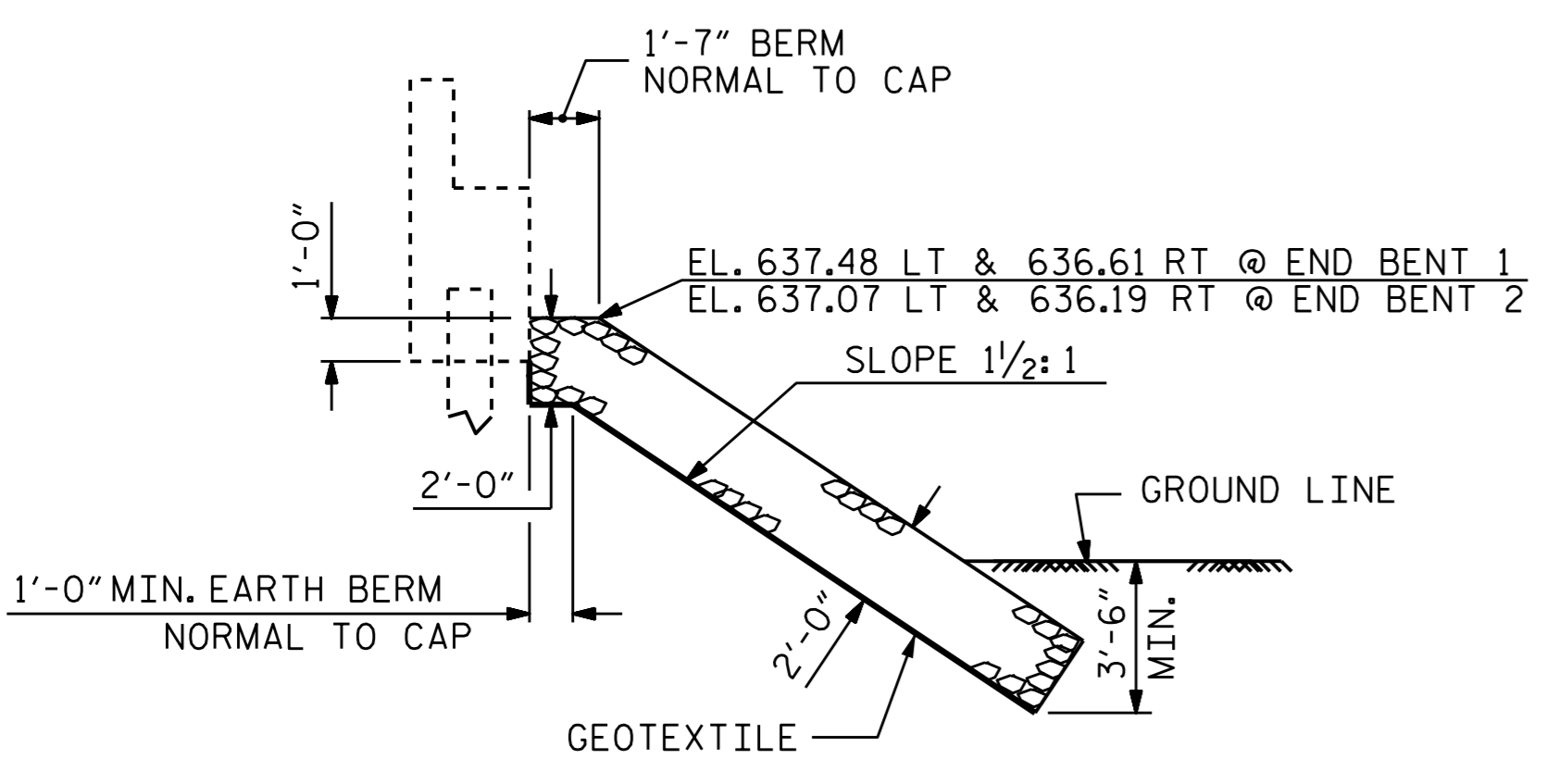
ESTIMATED QUANTITIES		
BRIDGE @ STA. 14+70.50 -L-	RIP RAP CLASS II (2'-0" THICK)	GEOTEXTILE FOR DRAINAGE
	TONS	SQUARE YARDS
END BENT 1	77	85
END BENT 2	212	235



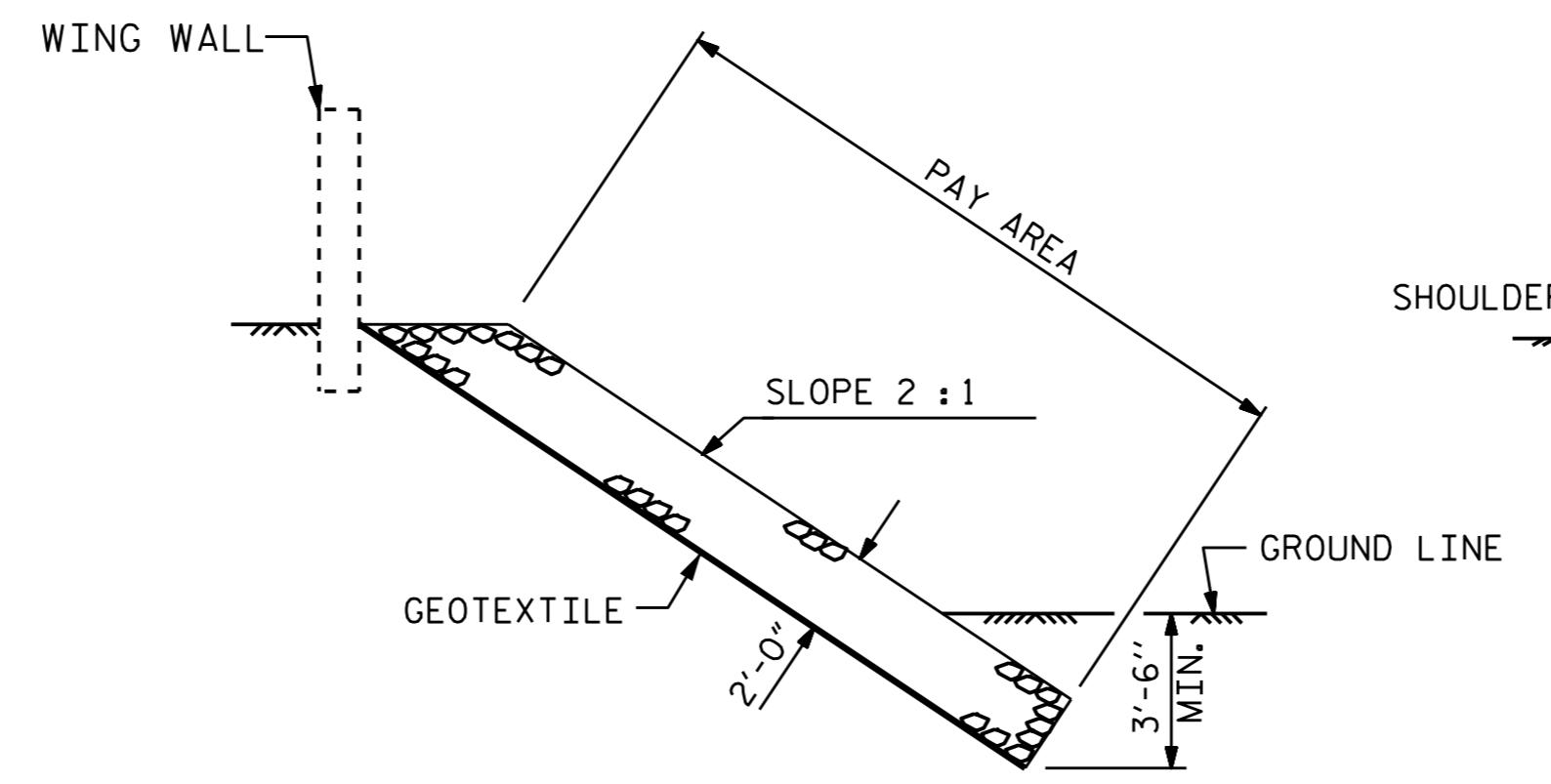
PLAN

AT END BENT 1

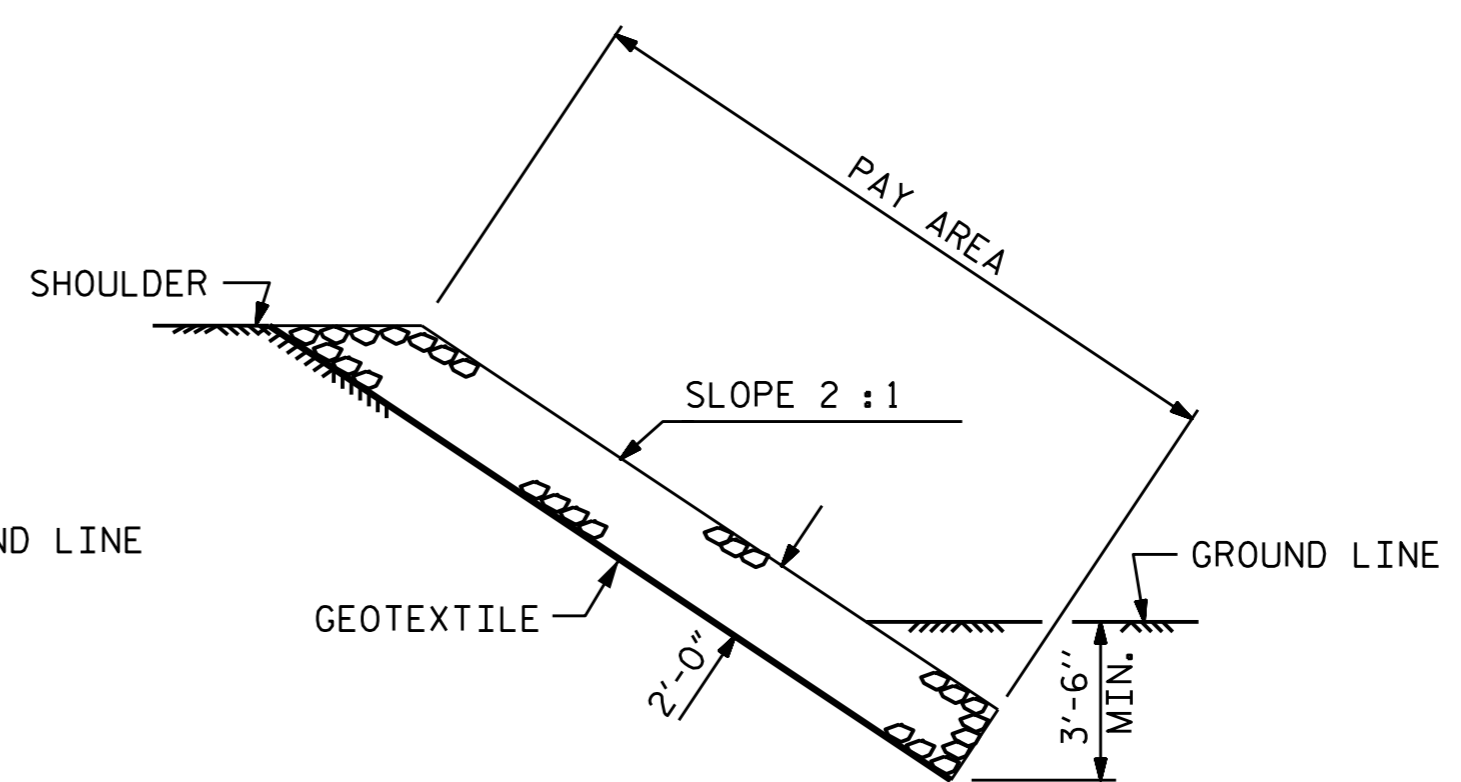
AT END BENT 2



SECTION C-C
BERM RIP RAPPED



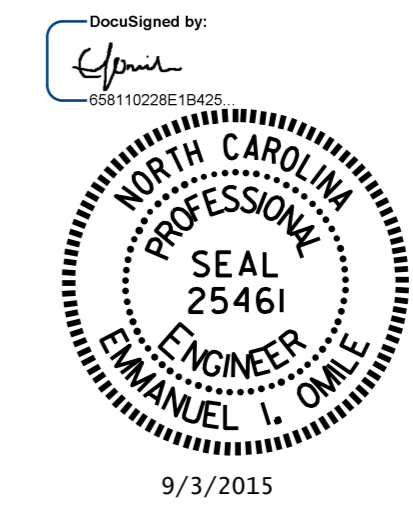
SECTION B-B



SECTION C-C

PROJECT NO. B-4959
GUILFORD COUNTY
 STATION: 14+70.50 -L-

STATE OF NORTH CAROLINA
 DEPARTMENT OF TRANSPORTATION
 RALEIGH
 STANDARD
 RIP RAP DETAILS



REVISIONS						SHEET NO. S-24
NO.	BY:	DATE:	NO.	BY:	DATE:	
1			3			TOTAL SHEETS 25
2			4			

ASSEMBLED BY : C. YOKELEY DATE : 02/10/14
 CHECKED BY : T. KIRSCHBAUM DATE : 03/03/14