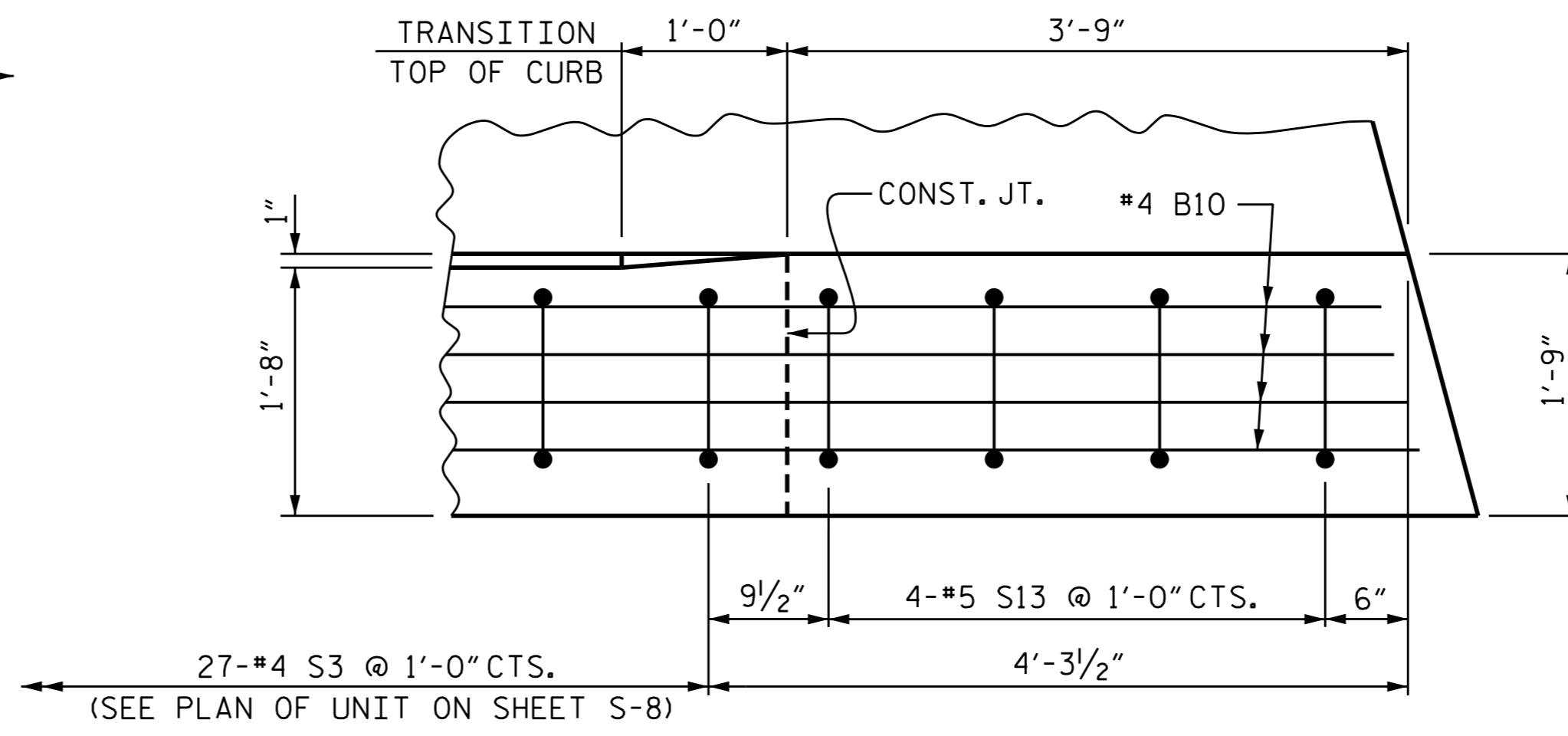
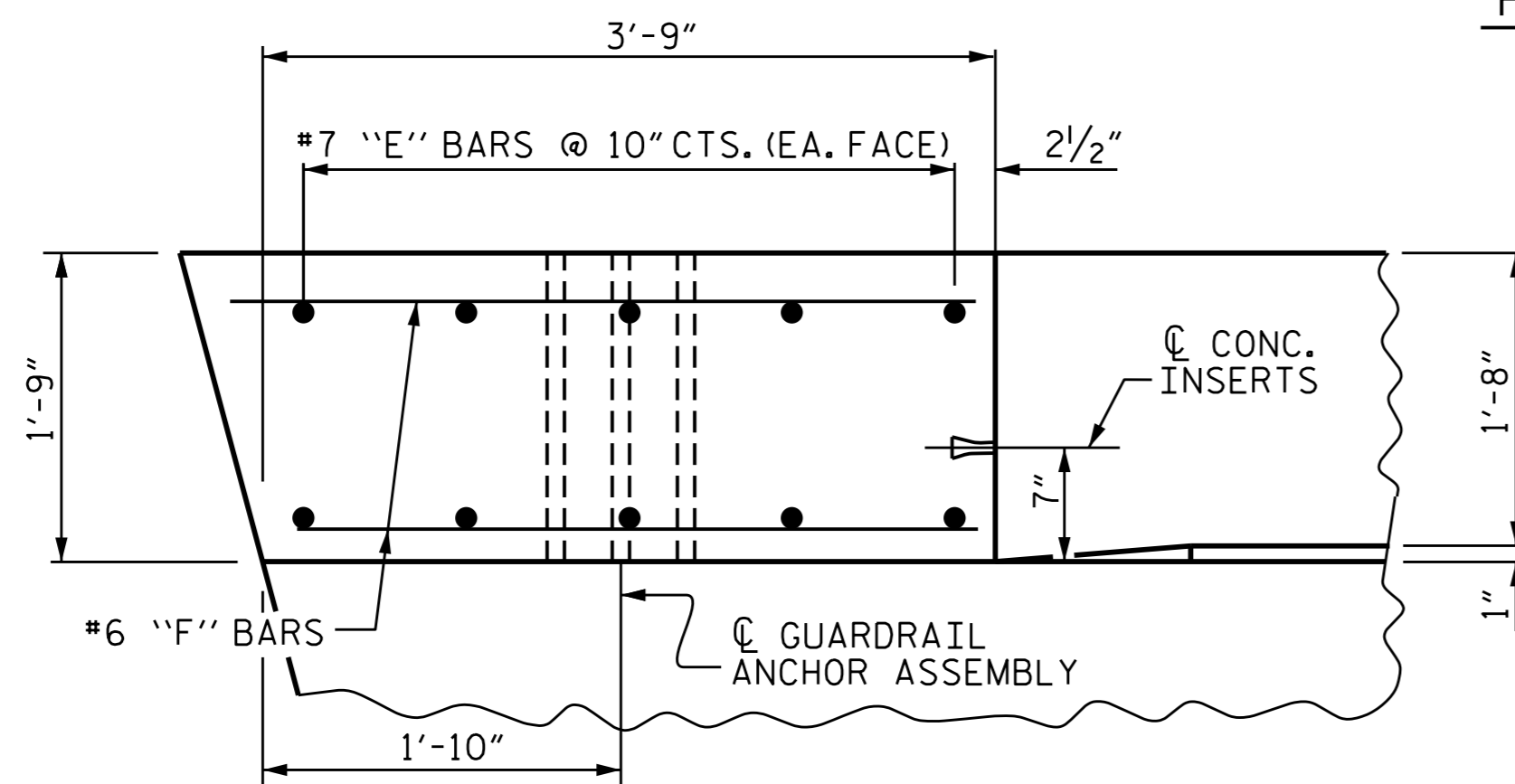


AT END BENT 1

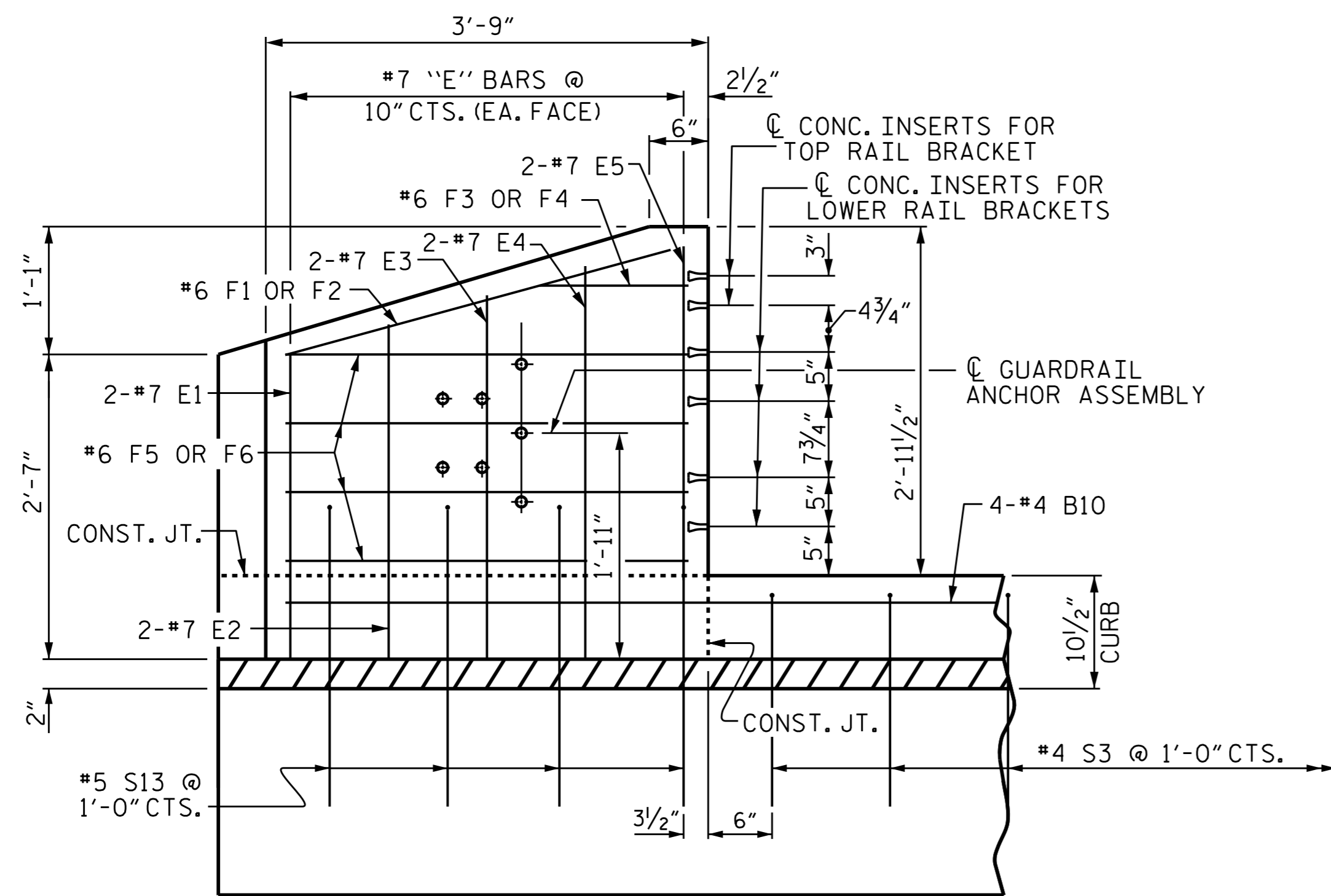


AT END BENT 2

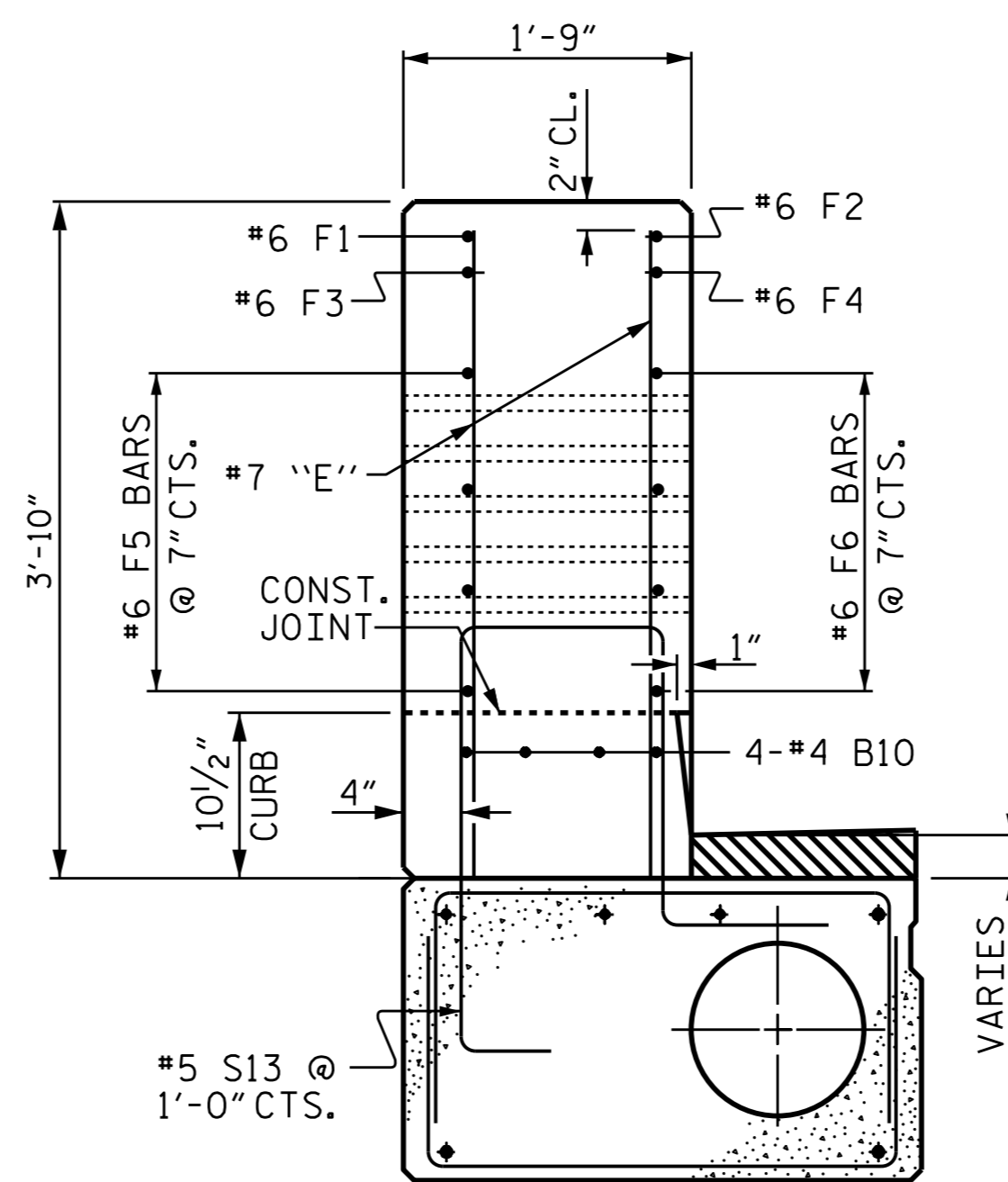
PLAN OF CURB



PLAN OF END POST



ELEVATION



END VIEW

CURB AND END POST FOR THREE TUBE METAL RAIL

BILL OF MATERIAL
FOR 2 CURBS AND 4 END POSTS

BAR	NO.	SIZE	TYPE	LENGTH	WEIGHT
* B10	64	#4	STR	9'-9"	417
* B25	48	#4	STR	12'-8"	406
* E1	8	#7	STR	2'-8"	44
* E2	8	#7	STR	2'-11"	48
* E3	8	#7	STR	3'-3"	53
* E4	8	#7	STR	3'-6"	57
* E5	8	#7	STR	3'-8"	60
* F1	4	#6	STR	3'-5"	21
* F2	4	#6	STR	3'-9"	23
* F3	4	#6	STR	1'-8"	10
* F4	4	#6	STR	2'-0"	12
* F5	4	#6	STR	3'-5"	21
* F6	4	#6	STR	3'-9"	23

* EPOXY COATED REINFORCING STEEL LBS. 1195

CLASS AA CONCRETE CU.YDS. 19.4

TOTAL LIN. FT OF CONC. CURBS 279.6

THE REINFORCING STEEL AND CONCRETE IN THE END POSTS ARE INCLUDED IN THE UNIT PRICE BID FOR THE CONCRETE CURB.

SPLICE LENGTH CHART

BAR SIZE	EPOXY COATED
#4	2'-0"

PROJECT NO. B-4959
GUILFORD COUNTY
STATION: 14+70.50 -L-

SHEET 3 OF 3

STATE OF NORTH CAROLINA
DEPARTMENT OF TRANSPORTATION
RALEIGH

CONCRETE CURBS
AND END POSTS



DocuSigned by: E. I. Omile
9/3/2015

DRAWN BY: E. I. OMILE DATE: 3-12-15
CHECKED BY: T. H. FANG DATE: 6-8-15

03-SEP-2015 12:47
K:\TIP\Projects-B\B4959\Structures\Plans\Final Plan\B4959.sd.cs.or.egon.dgn
T.Fang

REVISIONS						SHEET NO.
NO.	BY:	DATE:	NO.	BY:	DATE:	S-14
1			3			TOTAL SHEETS
2			4			25