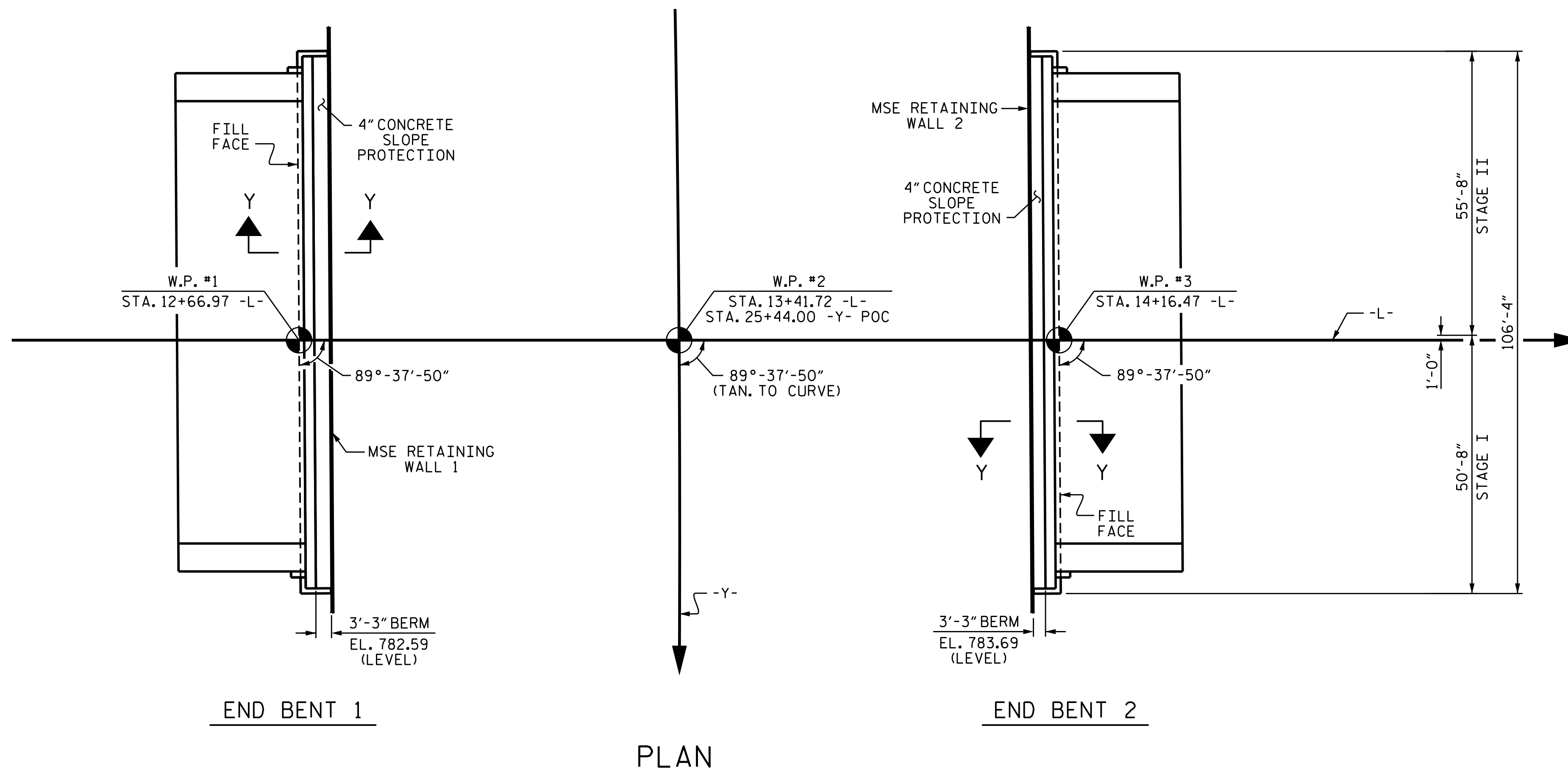


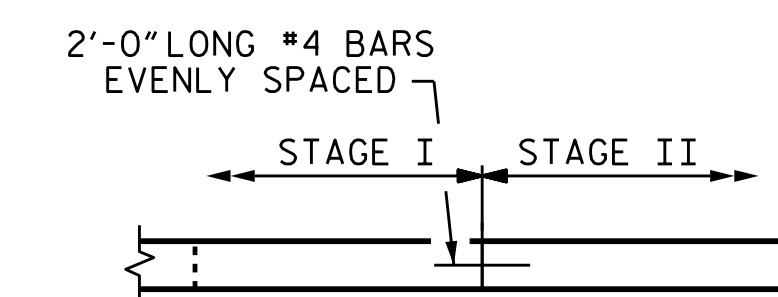
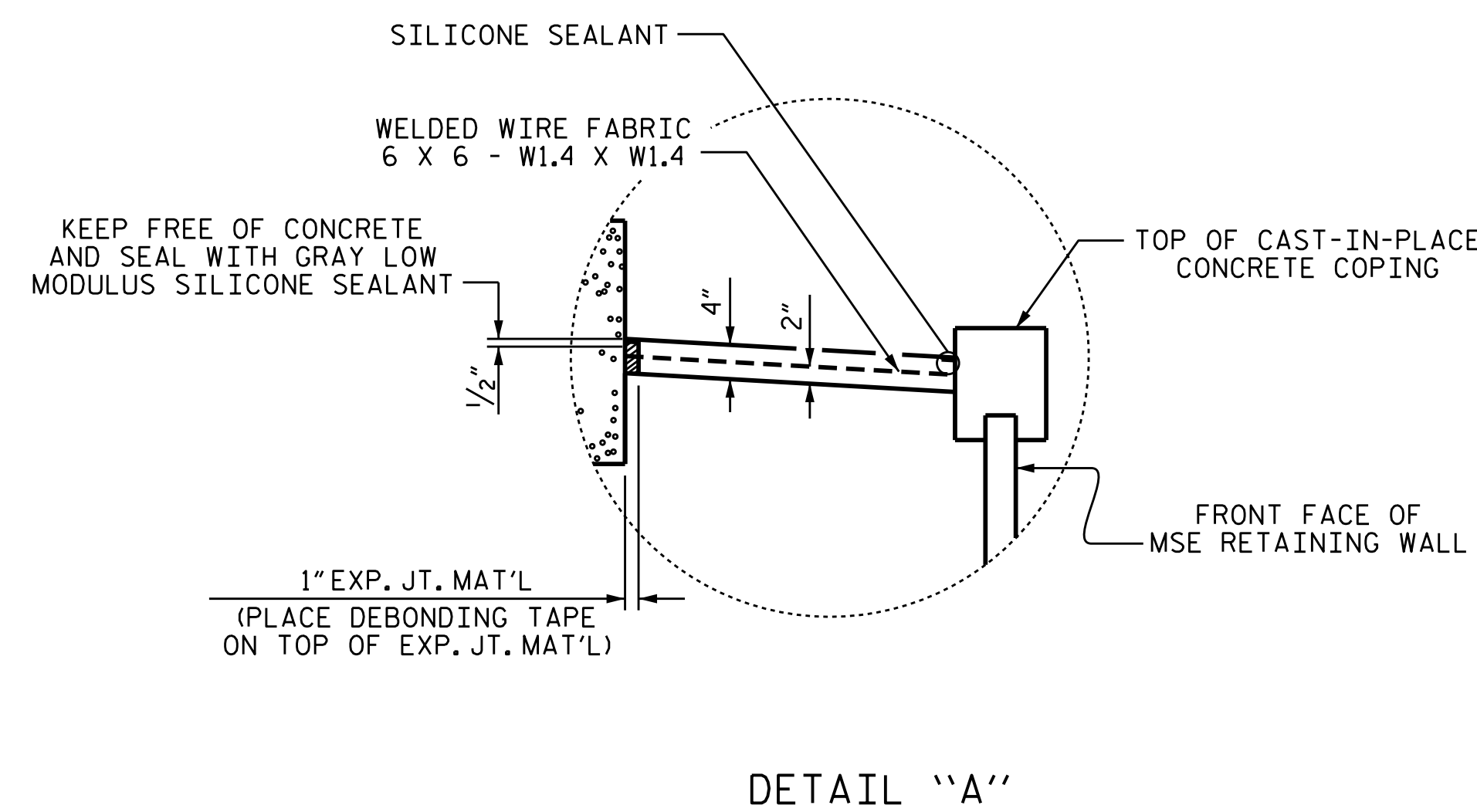
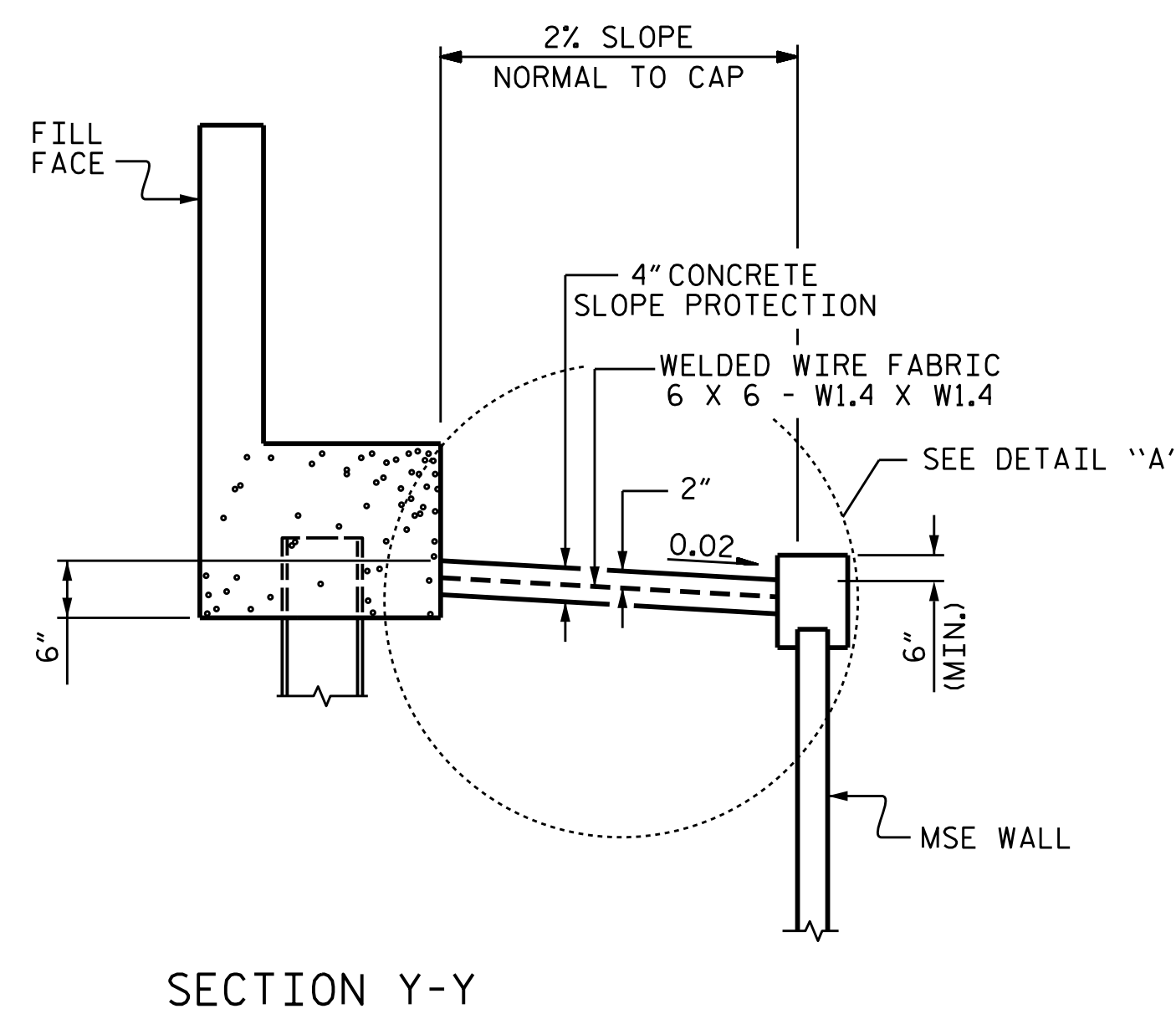
**NOTES**

SLOPE PROTECTION SHALL BE PLACED UNDER THE ENDS OF THE BRIDGE AS SHOWN IN THE DETAILS. MEASUREMENT AND PAYMENT SHALL BE AS PRESCRIBED IN SECTION 462 OF THE STANDARD SPECIFICATIONS.

SLOPE PROTECTION SHALL CONSIST OF 4"POURED-IN-PLACE CONCRETE PAVING AS SHOWN IN THE DETAILS ON THIS SHEET. CONCRETE SHALL BE CLASS "B". THE CONCRETE SURFACE SHALL BE FLOATED WITH A WOODEN FLOAT AND FINISHED. WELDED WIRE REINFORCING SHALL BE 6 X 6 - W1.4 X W1.4, 60"WIDE. THE COST OF THE WELDED WIRE FABRIC AND #4 BARS SHALL BE INCLUDED IN THE CONTRACT UNIT PRICE BID PER SQUARE YARD FOR SLOPE PROTECTION.



BRIDGE @ STA. 13+41.72 -L-	4 INCH SLOPE PROTECTION	WELDED WIRE FABRIC 60 INCHES WIDE
	SQUARE YARDS	APPROX. L.F.
END BENT 1		
STAGE I	18	36
STAGE II	20	40
<b>TOTAL</b>	<b>38</b>	<b>76</b>
END BENT 2		
STAGE I	18	36
STAGE II	20	40
<b>TOTAL</b>	<b>38</b>	<b>76</b>

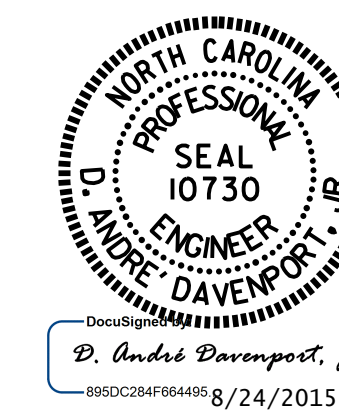


PROJECT NO. B-3159  
DAVIDSON COUNTY  
 STATION: 13+41.72 -L-

STATE OF NORTH CAROLINA  
 DEPARTMENT OF TRANSPORTATION  
 RALEIGH

**SLOPE PROTECTION  
 DETAILS**

REVISIONS						SHEET NO.
NO.	BY:	DATE:	NO.	BY:	DATE:	S-40
1			3			TOTAL SHEETS
2			4			43



ASSEMBLED BY : N.D.AIUTO DATE : 5/29/15  
 CHECKED BY : J.D.HAWK DATE : 6/10/15