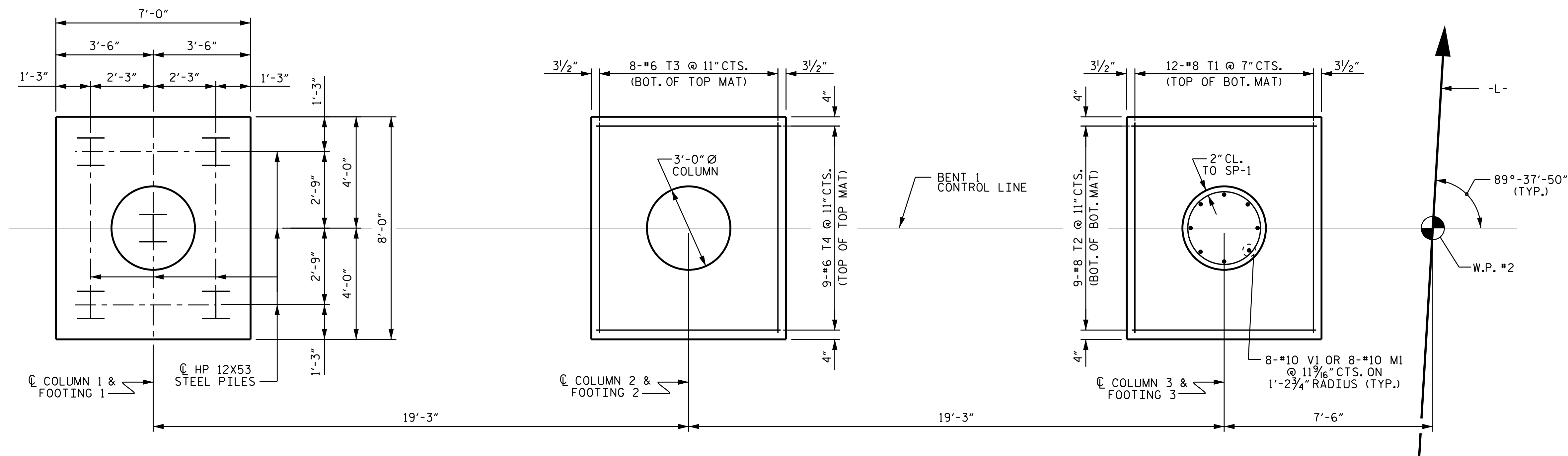


**PLAN OF FOOTINGS & COLUMNS - STAGE I**

PILES, REINFORCING STEEL, DIMENSIONS, AND DETAILS ARE TYPICAL FOR EACH COLUMN AND FOOTING UNLESS OTHERWISE NOTED



**PLAN OF FOOTINGS & COLUMNS - STAGE II**

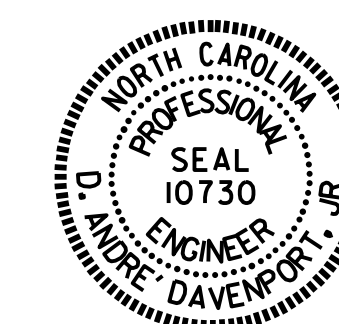
PILES, REINFORCING STEEL, DIMENSIONS, AND DETAILS ARE TYPICAL FOR EACH COLUMN AND FOOTING UNLESS OTHERWISE NOTED

PROJECT NO. B-3159  
DAVIDSON COUNTY  
 STATION: 13+41.72 -L-

SHEET 3 OF 4

STATE OF NORTH CAROLINA  
 DEPARTMENT OF TRANSPORTATION  
 RALEIGH  
 SUBSTRUCTURE

BENT 1



8/24/2015

DRAWN BY : J. K. BOWLES DATE : 6/1/15  
 CHECKED BY : N. D'AIUTO DATE : 6/2/15  
 DESIGN ENGINEER OF RECORD: R. P. PATEL DATE : 6/6/15

24-AUG-2015 12:28  
 R:\Structures\Plans\B3159.SD.B1.01.dgn  
 dadavenport

REVISIONS						SHEET NO.
NO.	BY:	DATE:	NO.	BY:	DATE:	S-33
1			3			TOTAL SHEETS
2			4			43