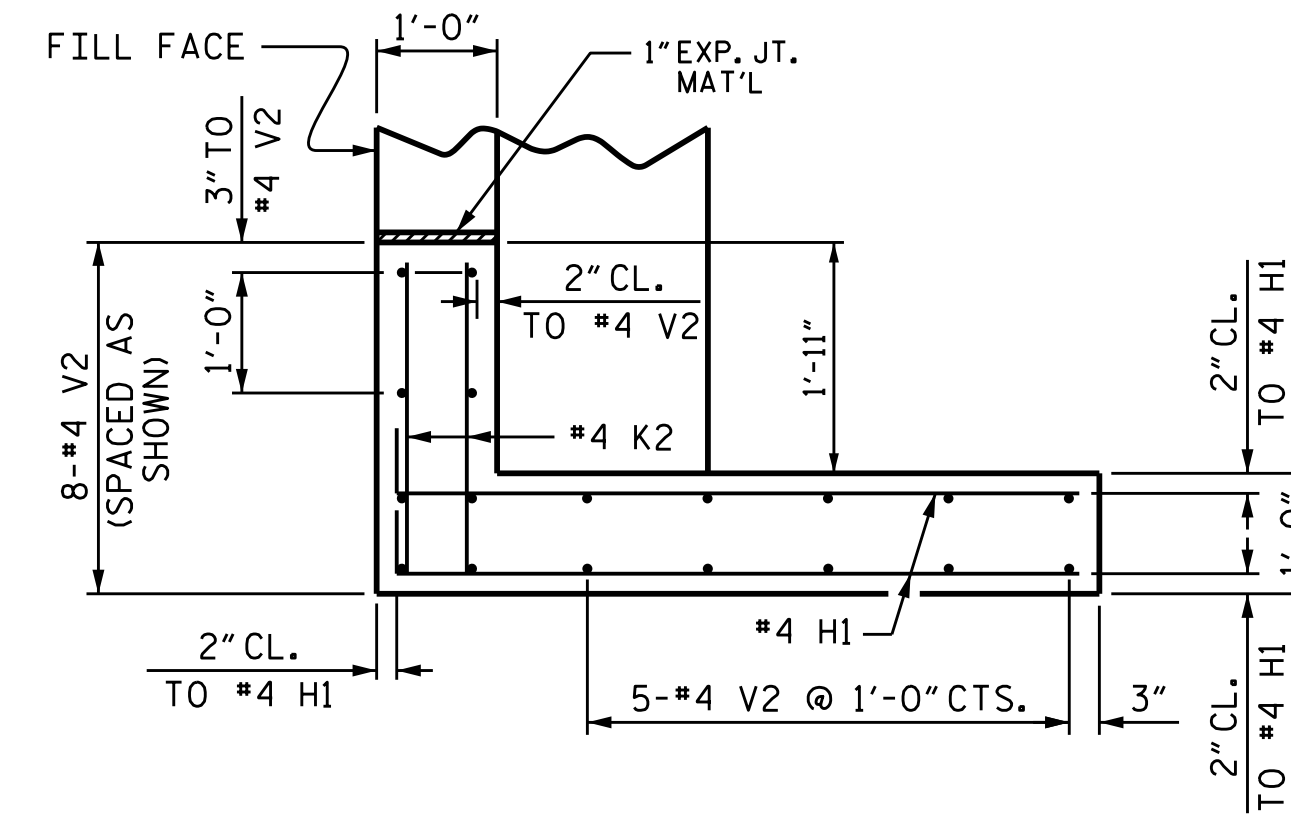
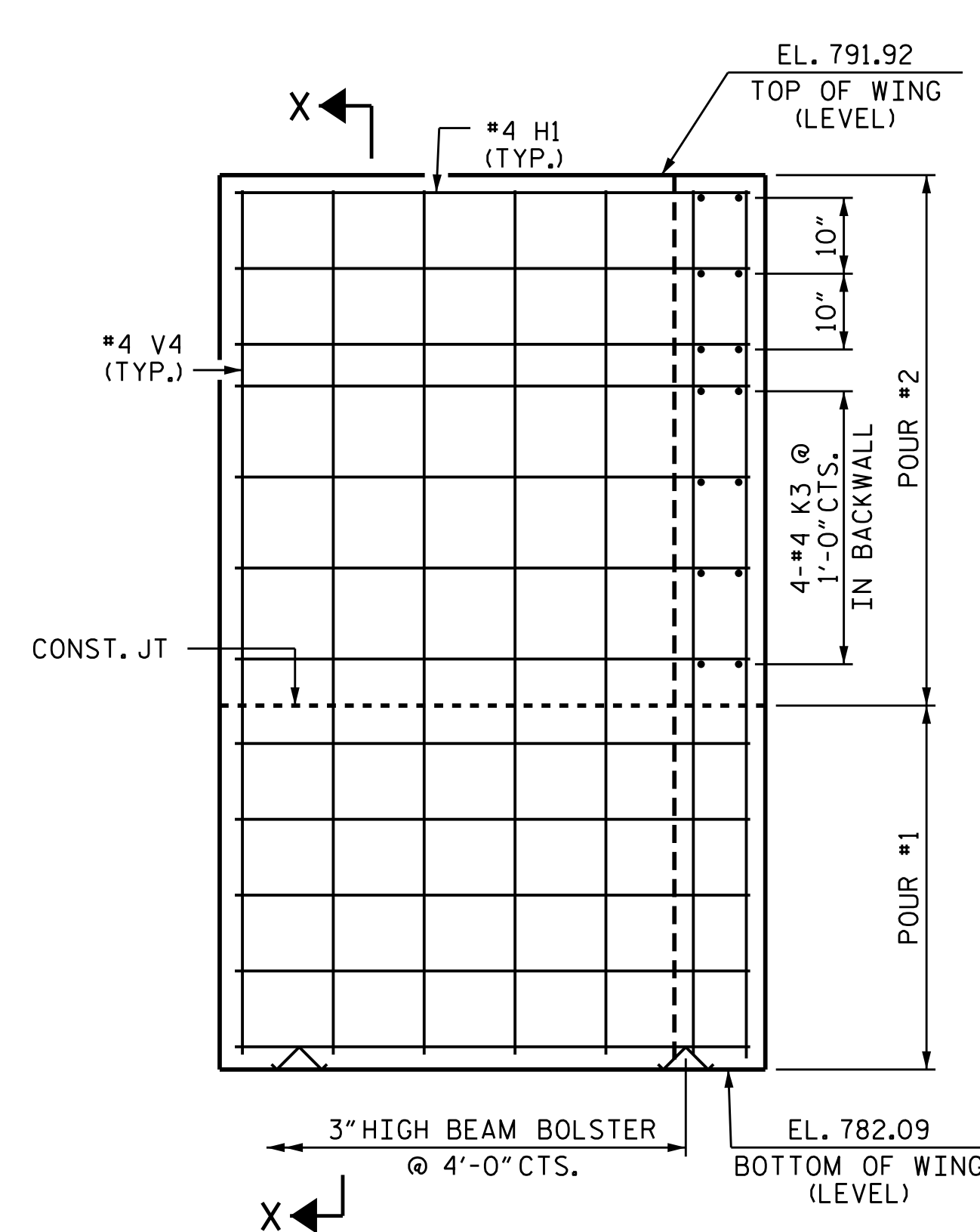


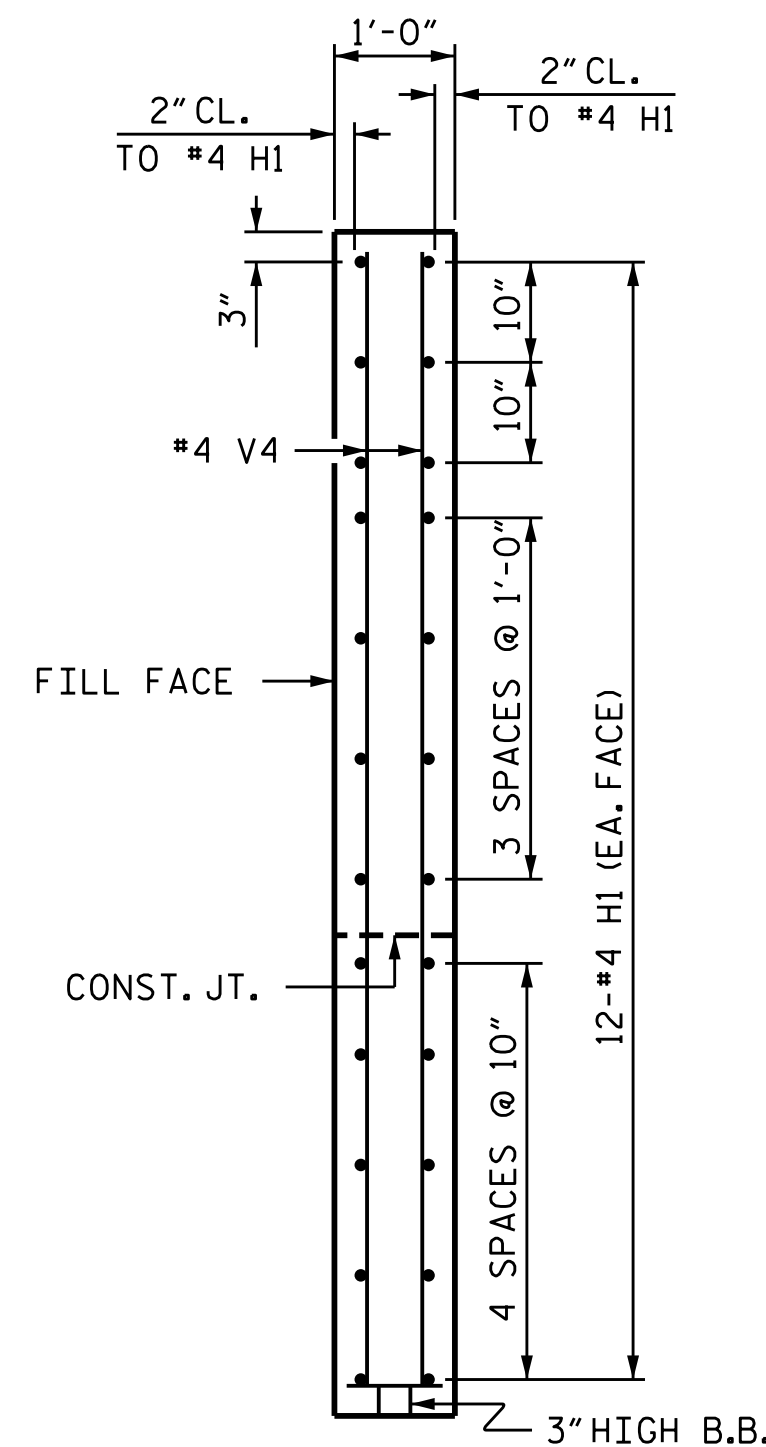
PLAN OF LEFT WING (W2)
(STAGE II)



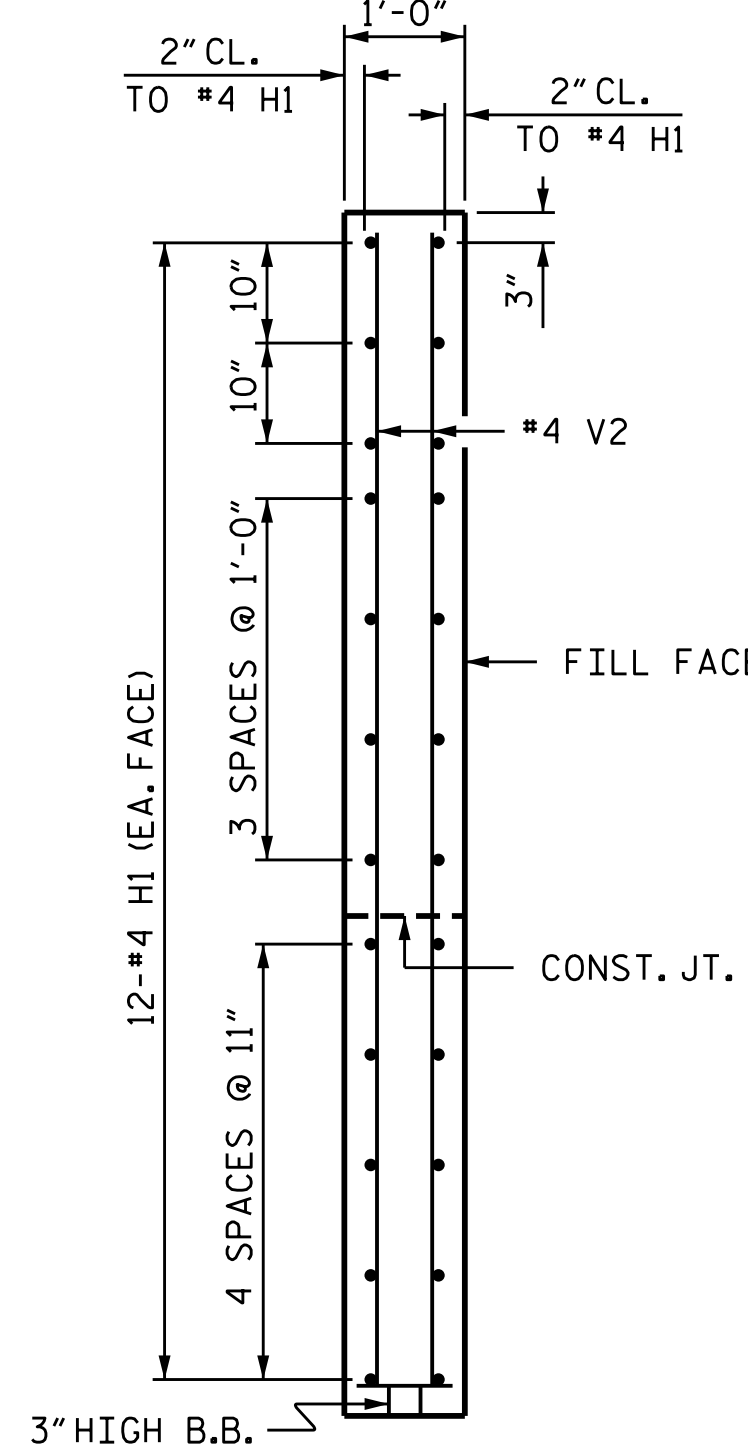
PLAN OF RIGHT WING (W1)
(STAGE I)



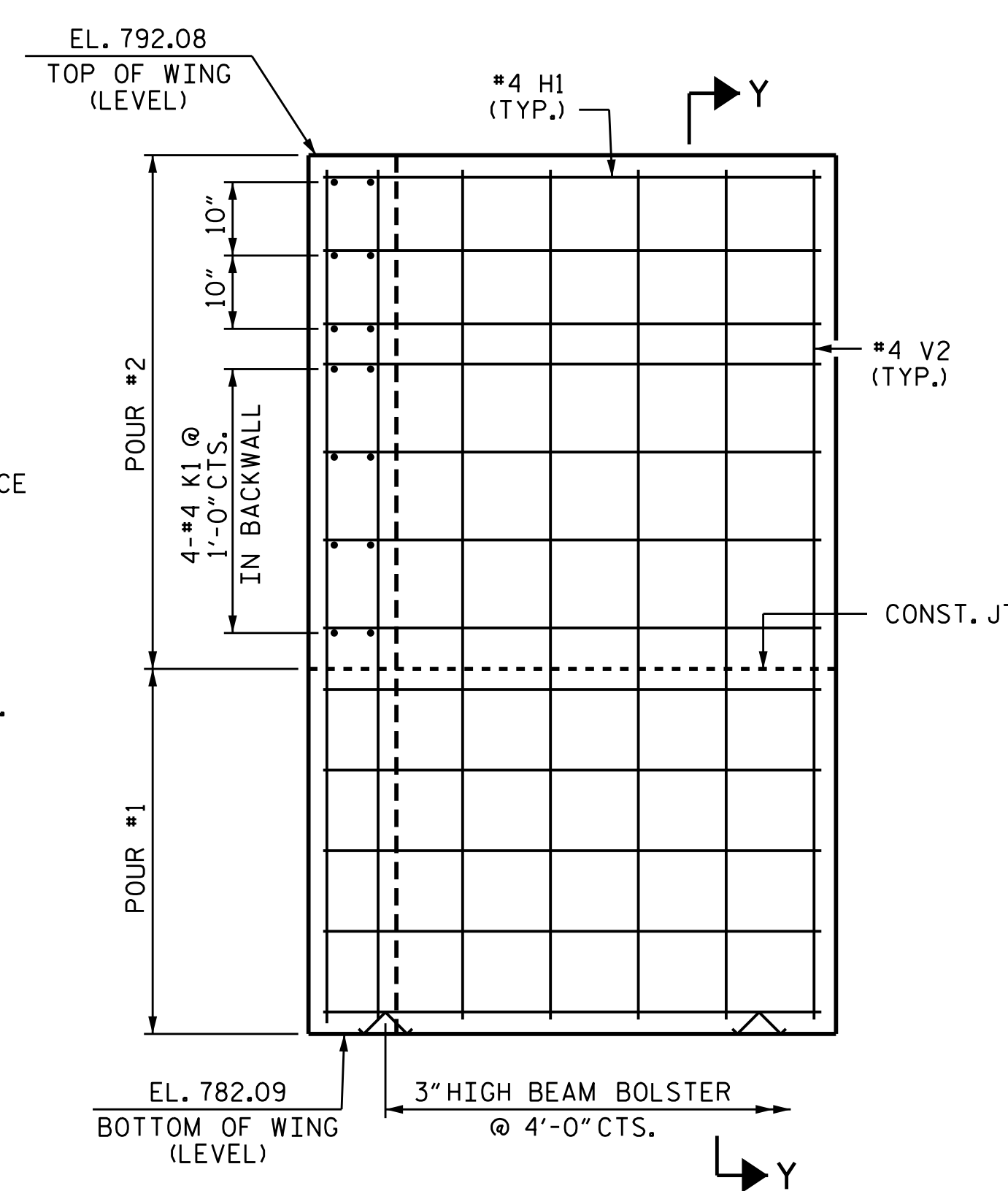
ELEVATION OF LEFT WING (W2)
(STAGE II)



SECTION X-X
(STAGE II)



SECTION Y-Y
(STAGE I)



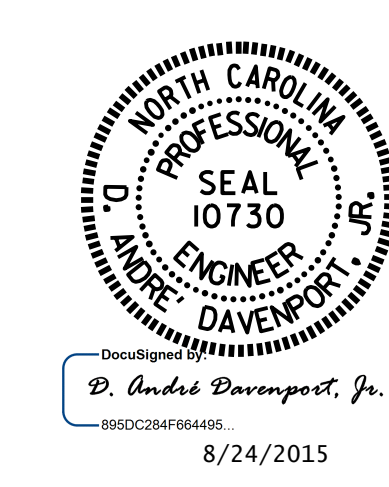
ELEVATION OF RIGHT WING (W1)
(STAGE I)

PROJECT NO. B-3159
DAVIDSON COUNTY
STATION: 13+41.72 -L-

SHEET 3 OF 4

STATE OF NORTH CAROLINA
DEPARTMENT OF TRANSPORTATION
RALEIGH
SUBSTRUCTURE
END BENT 1

REVISIONS						SHEET NO.
NO.	BY:	DATE:	NO.	BY:	DATE:	S-29
1			3			TOTAL SHEETS
2			4			43



DRAWN BY : K. D. LAYNE DATE : 5/15/15
CHECKED BY : H. P. KIM DATE : 5/28/15
DESIGN ENGINEER OF RECORD: R. L. CHESSON DATE : 6/10/15

24-AUG-2015 12:28
R:\Structures\Plans\B3159.SD.E1.01.dgn
dadavenport